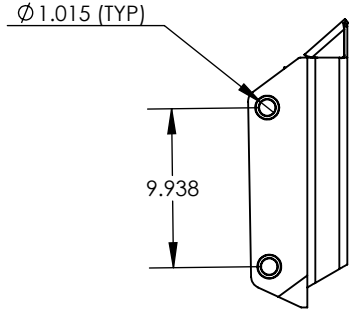
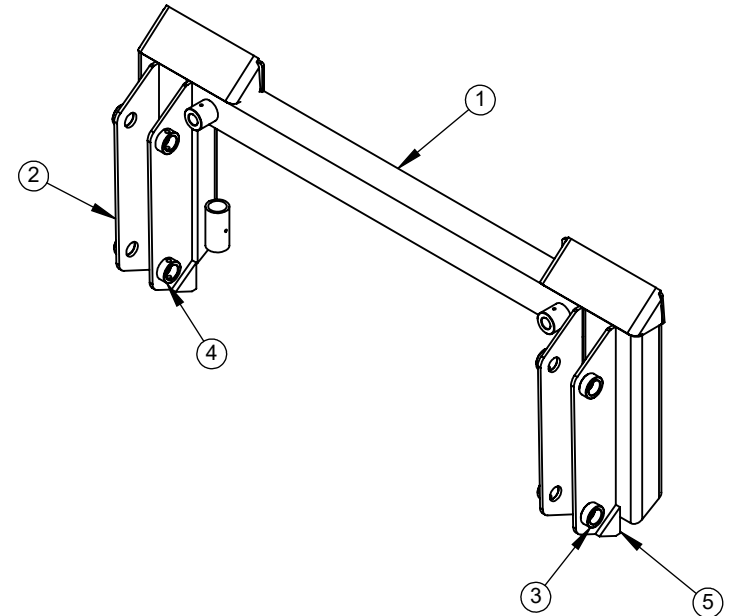
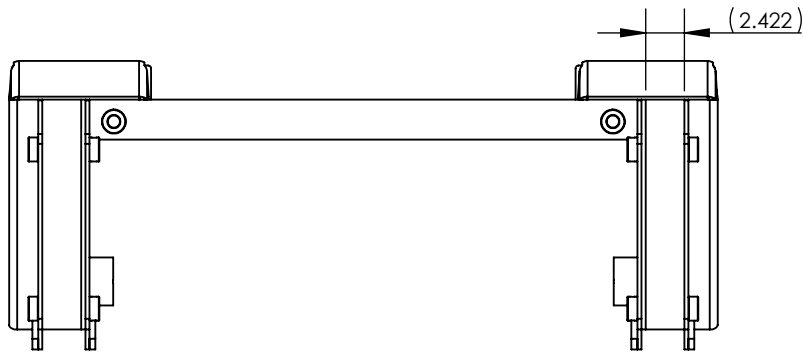
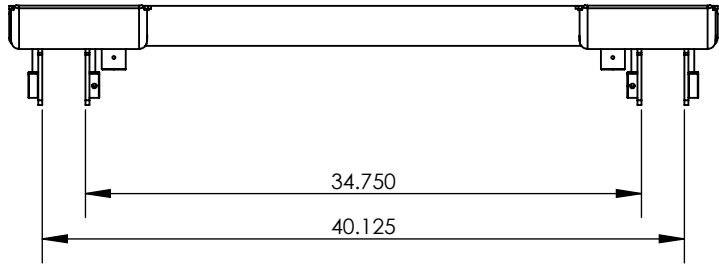



ITEM NO.	PART NUMBER	DESCRIPTION	QTY.
1	100-100-000	FRAME, TACH-ALL, QA-BLANK	1
2	100-076-101	GUSSET, TACH-ALL, QA-KU15	4
3	100-107-004	BOSS, 1-1/2" OD X 1" ID X 5/8" L	4
4	100-107-005	BOSS, 1-1/2" OD X 1" ID X 5/8" L W/KEEPER	4
5	100-076-102	BRACE, TRIANGLE, KU15 GUSSET	4

REV	DATE	DESCRIPTION	NAME



NAME WELDMENT, TACH-ALL, QA-KU15		REV -	
PROJECT TACH-ALL QUICK ATTACH		PART NO. 100-076-150	
MATERIAL SEE COMPONENT MATERIALS		FINISH PLAIN	WEIGHT 68.0 lb
CREATED 8/6/2020	PRINTED 10/5/2021	DRAWN EBK	SCALE 1:12
UNSPECIFIED TOLERANCES <i>Fractional</i> $\pm 1/32"$ <i>Decimal</i> $\pm 0.015"$ <i>Angular</i> $\pm 0.500^\circ$ <small>UNLESS OTHERWISE SPECIFIED DIMENSIONS IN () ARE MILLIMETERS DIMENSIONS IN (°) ARE REFERENCE</small>		This drawing and any print thereof is the property of ATI Corporation and is subject to return on request by this company. The information shown is confidential and the recipient by accepting this drawing agrees not to use any information contained thereon in any manner which will be detrimental to ATI Corporation.	
		250 Earland Dr, New Holland, PA 17557	