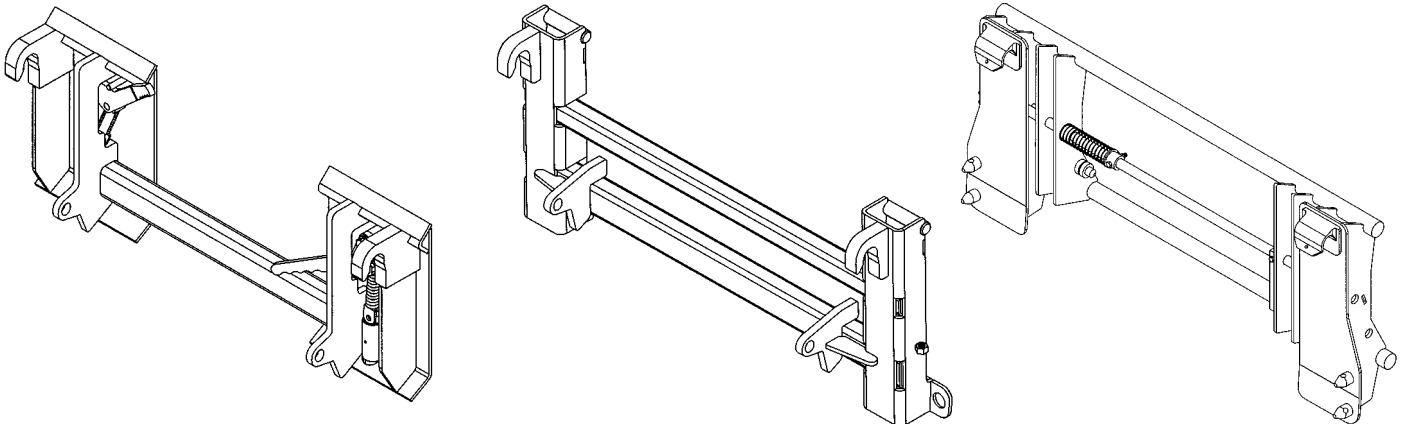


ADAPTERS

for TRACTOR

FRONT LOADERS

OWNER'S / OPERATOR'S MANUAL



SI NO LEEINGLES, PIDA AYUDA
A AIGUIEN QUE SI LO LEA
PARA QUE LE TRADUZCA LAS
MEDIDAS DE SEGURIDAD.

For Safe Operation
Read Rules And
Instructions Carefully

⚠ CAUTION

**THE FOLLOWING SAFETY PRECAUTIONS SHOULD BE THOROUGHLY UNDERSTOOD
BEFORE ATTEMPTING TO BEGIN ASSEMBLING THIS MACHINE**

1. Select an area for assembly that is clean and free of any debris which might cause persons working on the assembly to trip.
2. Do not lift heavy parts or assemblies. Use crane, jack, tackle, fork trucks or other mechanical devices.
3. Preview the assembly instructions in your operator's manual before proceeding further.
4. If the assembly instructions call for parts or assemblies to be blocked up, use only blocking material that is in good condition and is capable of handling the weight of the assembly to be blocked. Also insure that the blocking material is on a clean, dry surface.
5. Never put hands, or any part of body, under blocked up assemblies if at all possible.
6. After completing assembly, thoroughly inspect the machine to be sure that all nuts, bolts, hydraulic fittings or any other fastened assemblies have been thoroughly tightened.
7. Before operating the machine, thoroughly read the operation section of your operator's manual.
8. Before operating, read the maintenance section of your operator's manual to be sure that any parts requiring lubrication, such as gearboxes, are full, to avoid any possible damage.
9. **Before operating equipment – If you have any questions regarding the proper assembly or operation, contact your dealer or representative.**

TABLE OF CONTENTS

SI NO LEEINGLES, PIDA AYUDA A
AIGUIEN QUE SI LO LEA PARA QUE
LE TRADUZCA LAS MEDIDAS DE
SEGURIDAD.

WARRANTY	2
SAFETY INFORMATION	3 - 6
SAFETY SIGNS	7 - 10
INSTRUCTIONS	11 - 23
PARTS DRAWINGS/LISTS	24 - 26
TROUBLESHOOTING	27
ADAPTER INFORMATION	28 - 30

STATEMENT OF POLICY

It is the policy of Worksaver, Inc. to improve its products where it is possible and practical to do so. Worksaver, Inc. reserves the right to make changes or improvements in design and construction at any time, without incurring the obligation to make these changes on previously manufactured units.

TO THE OWNER:

Read this manual before using your Adapter. This manual is provided to give you the necessary operating and maintenance instructions for keeping your Adapter in top operating condition. Please read this manual thoroughly. Understand what each control is for and how to use it. Observe all safety signs on the machine and noted throughout the manual for safe operation of implement. Keep this manual handy for ready reference.

Like all mechanical products, it will require cleaning and upkeep.

Use only genuine Worksaver, Inc. service parts. Substitute parts will void the warranty and may not meet standards required for safe and satisfactory operation. Record the model and serial number of your Adapter here:

Model: _____ Serial Number: _____

RETAIL CUSTOMER'S RESPONSIBILITY

It is the Retail Customer and/or Operator's responsibility to read the Operator's Manual, to operate, lubricate, maintain, and store the product in accordance with all instructions and safety procedures. Failure of the operator to read the Operator's Manual is a misuse of this equipment.

It is the Retail Customer and/or Operator's responsibility to inspect the product and to have any part(s) repaired or replaced when continued operation would cause damage or excessive wear to other parts or cause a safety hazard.

It is the Retail Customer's responsibility to deliver the product to the authorized Worksaver Dealer, from whom he purchased it, for service or replacement of defective parts which are covered by warranty. Repairs to be submitted for warranty consideration must be made within forty-five (45) days of failure.

It is the Retail Customer's responsibility for any cost incurred by the Dealer for traveling to or hauling of the product for the purpose of performing a warranty obligation or inspection.

LIMITED WARRANTY

Worksaver warrants to the original purchaser of any new Adapter Attachment, that the equipment be free from defects in material and workmanship for a period of TWELVE (12) MONTHS COMMENCING ON THE DATE OF DELIVERY OF THE PRODUCT TO THE ORIGINAL PURCHASER. This warranty will apply if notified to Worksaver, Inc. within thirty (30) days after such defect is discovered.

Replacement or repair parts installed in the equipment covered by this warranty are warranted for sixty (60) days from the date of purchase of such part or to the expiration of the applicable new equipment warranty period, whichever occurs later.

Such parts shall be provided at no cost to the user during regular working hours. Worksaver reserves the right to inspect any equipment or parts which are claimed to have been defective in material or workmanship.

This warranty is extended solely to the original purchaser of the product. Should the original purchaser sell or otherwise transfer this product to a third party, this warranty does not transfer to the third party purchaser in any way. There are no third party beneficiaries of this warranty.

DISCLAIMER OF IMPLIED WARRANTIES & CONSEQUENTIAL DAMAGES

Worksaver shall not be liable for any incident or consequential losses, damages or expenses, arising directly or indirectly from the product, whether such claim is based upon breach of contract, breach of warranty, negligence, strict liability in tort or any other legal theory.

Worksaver's obligation under this warranty, to the extent allowed by law, is in lieu of all warranties, implied or expressed, including implied warranties of merchantability and fitness for a particular purpose and any liability for incidental and consequential damages with respect to the sale or use of the items warranted. Such incidental and consequential damages shall include but not be limited to: transportation charges other than normal freight charges; cost of installation other than cost approved by Worksaver; duty; taxes; charges for normal service or adjustments; loss of crops or any other loss of income; rental of substitute equipment, expenses due to loss, damage, detention or delay in the delivery of equipment or parts resulting from acts beyond the control of Worksaver.

THIS WARRANTY SHALL NOT APPLY:

1. To vendor items which carry their own warranties, such as hydraulic cylinders, hydraulic hoses, and fittings.
2. If the unit has been subjected to misapplication, abuse, misuse, negligence, fire or other accident.
3. If parts not made or supplied by Worksaver have been used in connection with the unit, if, in sole judgement of Worksaver such use affects its performance, stability, or reliability.
4. If the unit has been altered or repaired outside of an authorized Worksaver dealership in a manner which, in the sole judgement of Worksaver affects its performance, stability or reliability.
5. To normal maintenance service and normal replacement items such as bent hooks, bent pins, worn blades, or to normal deterioration of such things as hoses and exterior finish, due to use or exposure.
6. To expendable or wear items such as teeth, chains, latch parts, springs and other items that in the company's sole judgement is a wear item.

NO EMPLOYEE OR REPRESENTATIVE OF WORKSAVER IS AUTHORIZED TO CHANGE THIS WARRANTY IN ANY WAY OR GRANT ANY OTHER WARRANTY UNLESS SUCH CHANGE IS MADE IN WRITING AND SIGNED BY WORKSAVER'S SERVICE MANAGER, POST OFFICE BOX 100, LITCHFIELD, ILLINOIS 62056-0100.

To the Owner/Operator/Dealer

All implements with moving parts are potentially hazardous. There is no substitute for a cautious, safe-minded operator who recognizes the potential hazards and follows reasonable safety practices. The manufacturer has designed this implement to be used with all its safety equipment properly attached to minimize the chance of accidents.

BEFORE YOU START!!

**Read the safety messages on the implement and shown in your manual.
Observe the rules of safety and common sense!**



THIS SYMBOL MEANS

- ATTENTION!
- BECOME ALERT!
- YOUR SAFETY IS INVOLVED!

THIS SAFETY ALERT SYMBOL IDENTIFIES IMPORTANT SAFETY WARNING MESSAGES. CAREFULLY READ EACH WARNING MESSAGE THAT FOLLOWS. FAILURE TO UNDERSTAND AND OBEY A SAFETY WARNING, OR RECOGNIZE A SAFETY HAZARD, COULD RESULT IN AN INJURY OR DEATH TO YOU OR OTHERS AROUND YOU. THE OPERATOR IS ULTIMATELY RESPONSIBLE FOR THE SAFETY OF HIMSELF, AS WELL AS OTHERS, IN THE OPERATING AREA OF THE TRACTOR AND ATTACHED EQUIPMENT.

UNDERSTAND SIGNAL WORDS

Note the use of the signal words **DANGER**, **WARNING** and **CAUTION** with the safety messages. The appropriate signal word for each has been selected using the following guidelines:

DANGER: Indicates an imminently hazardous situation that, if not avoided, will result in death or serious injury. This signal word is to be limited to the most extreme situations typically for machine components which, for functional purposes, cannot be guarded.

WARNING: Indicates a potentially hazardous situation that, if not avoided, could result in death or serious injury, and includes hazards that are exposed when guards are removed. It may also be used to alert against unsafe practices.

CAUTION: Indicates a potentially hazardous situation that, if not avoided, may result in minor or moderate injury. It may also be used to alert against unsafe practices.

If you have questions not answered in this manual or require additional copies or the manual is damaged, please contact your dealer or the manufacturer directly.

IMPORTANT SAFETY INFORMATION!

Working with equipment can lead to injuries. Read this manual, and the manual for your tractor, before assembly or operating, to acquaint yourself with the machines. It is the implement owner's responsibility, if this machine is used by any person other than yourself, is loaned or rented, to make certain that the operator, prior to operating:

1. Reads and understands the operator's manuals.
2. Is instructed in safe and proper use.



The use of this equipment is subject to certain hazards which cannot be protected against by mechanical means or product design. All operators of this equipment must read and understand this entire manual, paying particular attention to safety and operating instructions, prior to using. If there is something in this manual you do not understand, ask your supervisor, or your dealer, to explain it to you.



SAFETY RULES

ATTENTION! BECOME ALERT! YOUR SAFETY IS INVOLVED!



Safety is a primary concern in the design and manufacture of our products. Unfortunately, our efforts to provide safe equipment can be wiped out by an operator's single careless act.

In addition to the design and configuration of equipment, hazard control and accident prevention are dependent upon the awareness, concern, judgment, and proper training of personnel involved in the operation, transport, maintenance and storage of equipment.

It has been said "The best safety device is an informed, careful operator." We ask you to be that kind of operator.

TRAINING

■ **Safety instructions are important! Read all attachment and tractor manuals; follow all safety rules and safety decal information. (Replacement manuals are available from selling dealer.) Failure to follow instructions or safety rules can result in serious injury or death.**

■ **If you do not understand any part of this manual and need assistance, see your dealer.**

■ **Operators must be instructed in and be capable of the safe operation of the equipment, its attachments, and all controls. Do not allow anyone to operate this equipment without proper instructions.**

■ **Never allow children or untrained persons to operate equipment.**

■ **Train all new personnel and review instructions frequently with existing workers. A person who has not read and understood all operating and safety instructions is not qualified to operate the machine. An untrained operator exposes himself and bystanders to possible serious injury or death.**

PREPARATION

■ **Always wear relatively tight and belted clothing to avoid getting caught in moving parts. Wear sturdy, rough-soled work shoes and protective equipment for eyes, hair, hands, hearing, and head; and respirator or filter mask where appropriate.**

■ **Make sure attachment is properly secured, adjusted, and in good operating condition.**

■ **Tractor must be equipped with ROPS or ROPS cab and seat belt. Keep seat belt securely fastened. Falling off tractor can result in death from being run over or crushed. Keep foldable ROPS system in "locked up" position at all times.**

■ **A heavy load can cause instability in driving a tractor. Make sure the rear of the tractor is properly counter-balanced with weights. Always drive slowly – especially around turns. An unstable tractor could steer badly and possibly tip over, causing injury or death.**

The use of the optional rear 3 pt. ballast box is recommended. Ask your dealer.

■ **Do not exceed the lift capacity of your loader or attachment. See loader specifications.**

■ **Know your equipment's capabilities, dimensions, and operations before operating. Visually inspect your equipment before you start, and never operate equipment that is not in proper working order with all safety devices intact. Check all hardware to ensure it is tight. Make certain that all locking pins, latches, and connection devices are properly installed and secured. Remove and replace any damaged, fatigued, or excessively worn parts. Make certain all safety decals are in place and are legible. Keep decals clean, and replace them if they become worn or hard to read.**

■ **Move wheels to the widest recommended setting to increase stability.**

■ **Do not work under raised loaders without supporting them. Do not use support material made of concrete blocks, logs, buckets, barrels, or any other material that could suddenly collapse or shift positions. Make sure support material is solid, not decayed, warped, twisted, or tapered. Lower loaders to ground level or on blocks. Lower loaders and attachments to the ground before leaving the cab or operator's station.**

■ **Check the tractor's hydraulic system. Be sure the hydraulic oil and filter have been serviced according to manufacturer's recommendations. Refer to your tractor loader operator's manual or dealer for any adjustments necessary to put the hydraulic system in good working order.**



SAFETY RULES



ATTENTION! BECOME ALERT! YOUR SAFETY IS INVOLVED!

TRANSPORTATION

- Always comply with all state and local laws governing highway safety and lighting and marking requirements.
- Never allow riders on tractor or attachment.
- Do not operate or transport on steep slopes.
- Use extreme care and reduce ground speed on slopes and rough terrain. Travel with attachment as close to the ground as possible.
- Do not operate or transport equipment while under the influence of alcohol or drugs. Consult your doctor about operating this machine while taking prescription medications.

OPERATION

- Always sit in tractor seat when operating controls or starting engine. Securely fasten seat belt, place transmission in neutral, engage brake, and ensure all other controls are disengaged before starting tractor engine.
- Know your controls and how to stop engine and attachment quickly in an emergency.
- Consult local utilities before working. Know location of and avoid contacting all underground cables, pipelines, overhead wires and other hazards in working area.
- Operate only in daylight or good artificial light.
- Keep bystanders away from equipment.
- Keep hands, feet, hair, and clothing away from equipment while engine is running. Stay clear of all moving parts.

- Never allow riders on tractor or attachment.
- Look down and to the rear and make sure area is clear before operating in reverse.
- Use extreme care when working close to fences, ditches, other obstructions, or on hillsides.
- Do not exceed the load capacity of the loader or the adapter.
- Watch for and avoid hidden obstructions, i.e., buried pipes, rocks, concrete piers, uneven concrete slabs, stumps, etc., when operating.
- Stop loader gradually when lowering or lifting loads.
- Never use any of these attachments for a work platform or personal carrier.
- Never leave equipment unattended with the engine running, or with this attachment in a raised position.
- When stacking material, **ALWAYS MAKE SURE MATERIAL IS PLACED SO THE STACK IS STABLE.**
- When on a slope, keep the load low and proceed with extreme caution. Do not drive **ACROSS** a steep slope - drive straight up and down.
 - With a **LOADED** attachment - face the attachment and load uphill.
 - With an **EMPTY** attachment - face the attachment downhill.
- Keep alert and watch the rear as well as the front when working with the front loader.
- Before leaving operator's seat, lower loader and put attachment on the ground. Engage brake, stop engine, remove key, and unfasten seat belt.



SAFETY RULES

ATTENTION! BECOME ALERT! YOUR SAFETY IS INVOLVED!



OPERATION (cont'd from previous page)

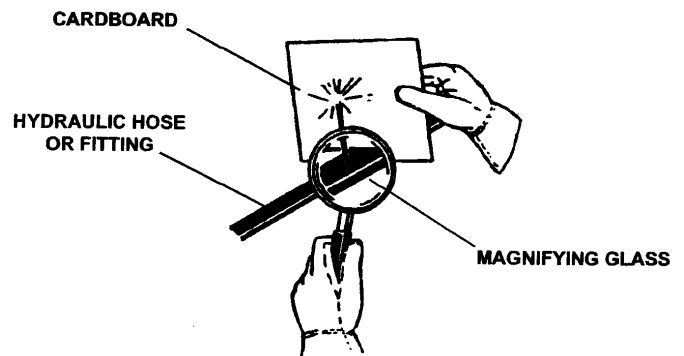
- Do not operate or transport equipment while under the influence of alcohol or drugs. Consult your doctor about operating this machine while taking prescription medications.
- Always check locking pins before tilting or operating any attachment.
- Do not detach loader from tractor with this attachment installed. Equip loader with material bucket when detaching.
- Add the required amount of ballast on tractor. (See Preparing the Tractor section of the Loader Operator's Manual to determine the type and amount of ballast required.)

MAINTENANCE

- Always wear relatively tight and belted clothing to avoid getting caught in moving parts. Wear sturdy, rough-soled work shoes and protective equipment for eyes, hair, hands, hearing, and head; and respirator or filter mask where appropriate.
- Never go underneath equipment (lowered to the ground or raised) unless it is properly blocked and secured. Never place any part of the body underneath equipment or between moveable parts even when the engine has been turned off. Hydraulic system leak down, hydraulic system failures, mechanical failures, or movement of control levers can cause equipment to drop or rotate unexpectedly and cause severe injury or death.
- Make sure attachment is properly secured, adjusted, and in good operating condition.
- Before leaving operator's seat, lower loader and put attachment on the ground. Engage brake, stop engine, remove key, and remove seat belt.
- Never perform service or maintenance with engine running.
- Keep all persons away from operator control area while performing adjustments, service, or maintenance.

■ Hydraulic fluid under pressure can penetrate the skin and cause serious injury or death. Hydraulic leaks under pressure may not be visible. Before connecting or disconnecting hydraulic hoses, read your tractor's operator's manual for detailed instructions on connecting and disconnecting hydraulic hoses or fittings.

- Keep unprotected body parts, such as face eyes, and arms as far away as possible from a suspected leak. Flesh injected with hydraulic fluid may develop gangrene or other permanent disabilities.
- If injured by injected fluid, see a doctor at once. If your doctor is not familiar with this type of injury, ask him to research it immediately to determine proper treatment.
- Wear safety glasses, protective clothing, and use a piece of cardboard or wood when searching for hydraulic leaks. **DO NOT USE YOUR HANDS!** SEE ILLUSTRATION.



- Check that all hardware is installed securely to ensure equipment is in a safe condition before putting unit into service.
- Make sure all safety decals are installed. Replace if damaged. (See Safety Decals section for location.)

STORAGE

- Block equipment securely for storage.
- Keep children and bystanders away from storage area.



SAFETY & INSTRUCTIONAL DECALS

ATTENTION! BECOME ALERT! YOUR SAFETY IS INVOLVED!



Replace Immediately If Damaged!



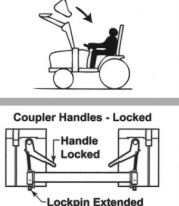
! WARNING

PINCH POINT HAZARD

Keep clear

101297

101297



! WARNING

To avoid injury or death caused by falling attachment:

Lockpins must completely engage attachment plate slots.

101313

Only for Adapters with Universal Skid Steer Connection

101313



! WARNING

To avoid injury or death caused by falling attachment:

- Quick lock pins must be installed at all times.

101296

Only for Adapters with John Deere Hook & Pin Connection

101296

! WARNING

- Read and follow owner's manual before installing, operating, or performing maintenance on this attachment. Observe safety recommendations in manual.
- Attachment should be used with the proper counterweight on rear of tractor. When handling loads on both ends of tractor load rear first and unload last.
- Keep load as low as practical to maximize power unit stability.
- Stop engine, lower loader, relieve all hydraulic pressure, and lock brakes before leaving operator's seat.
- Do not exceed weight limit of attachment or loader.
- Set wheels wide for increased stability.
- Make sure latching mechanism is engaged and attachment is securely mounted to the loader.
- Failure to observe the above precautions can result in serious injury or death.
- Do not lift or carry anyone on attachment.
- Never raise load to extreme heights on steep inclines.
- Do not stand or work under raised attachment.

101492

Only for some models

101492

Use a clean, damp cloth to clean safety decals.

Avoid spraying too close to decals when using a pressure washer; high-pressure water can enter through very small scratches or under edges of decals causing them to peel or come off.

Replacement safety decals can be ordered from your dealer.



SAFETY & INSTRUCTIONAL DECALS

ATTENTION! BECOME ALERT! YOUR SAFETY IS INVOLVED!



Replace Immediately If Damaged!

WARNING

- Read and follow owner's manual before installing, operating, or performing maintenance on this attachment. Observe safety recommendations in manual.
- Do not exceed weight limit of attachment or loader.
- Do not lift or carry anyone on attachment.
- Attachment should be used with the proper counterweight on rear of tractor. When handling loads on both ends of tractor, load rear first and unload last.
- Set wheels wide for increased stability.
- Never raise load to extreme heights on steep inclines.
- Keep load as low as practical to maximize power unit stability.
- Make sure latching mechanism is engaged and attachment is securely mounted to the loader.
- Do not stand or work under raised attachment.
- Stop engine, lower loader, relieve all hydraulic pressure, and lock brakes before leaving operator's seat.
- Failure to observe the above precautions can result in serious injury or death.

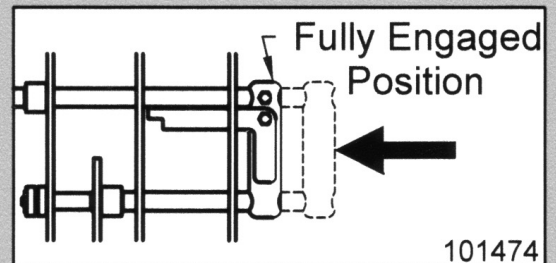
101475

Only for
some models

101475

WARNING

To avoid injury or death caused by falling attachment: Lockpins must completely engage through attachment and both adaptor plates.



Only for Adapters
with Global/Euro
Connection

101474

Use a clean, damp cloth to clean safety decals.

Avoid spraying too close to decals when using a pressure washer; high-pressure water can enter through very small scratches or under edges of decals causing them to peel or come off.

Replacement safety decals can be ordered from your dealer.

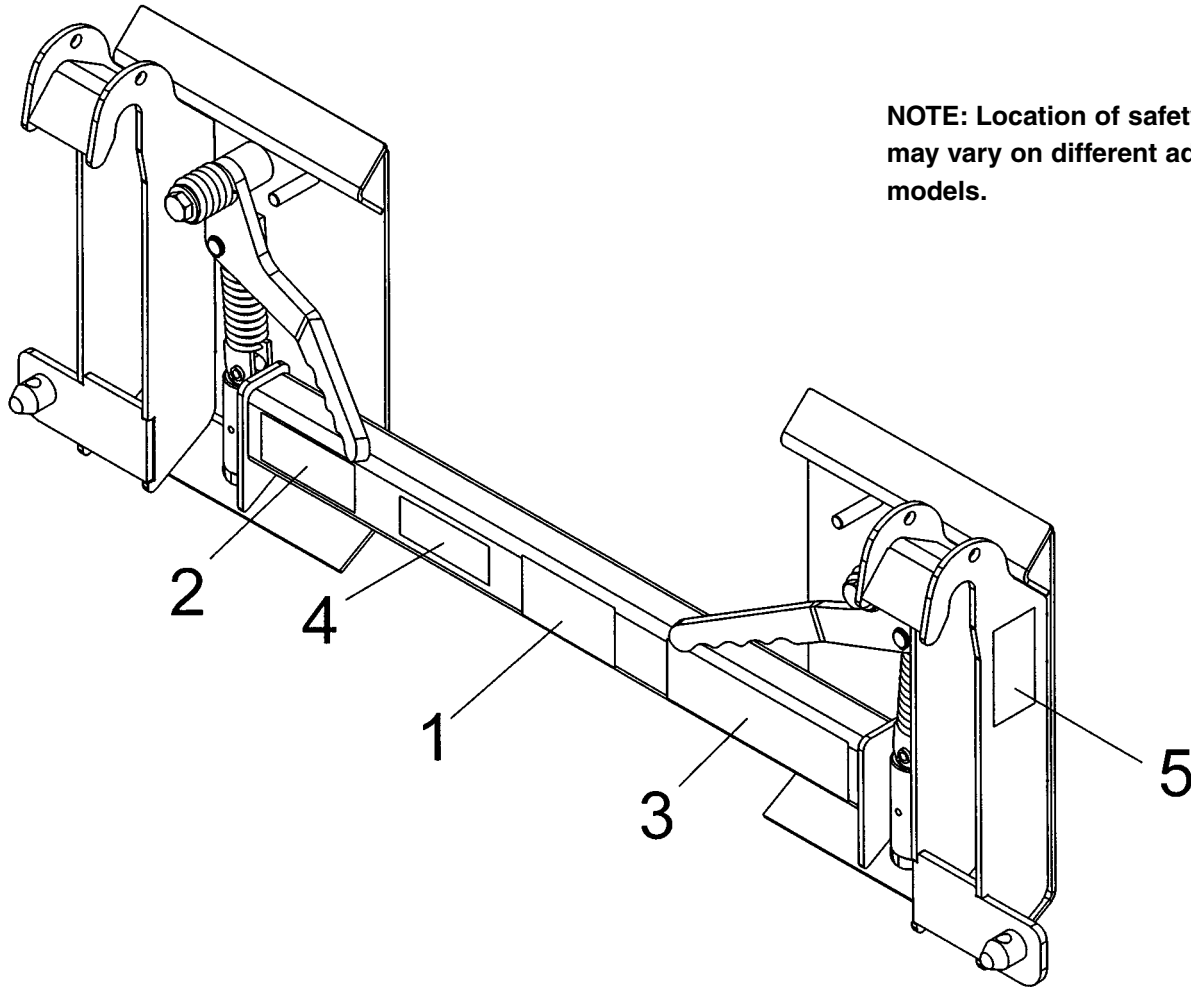


SAFETY SIGN LOCATION

ATTENTION! BECOME ALERT! YOUR SAFETY IS INVOLVED!



Replace Immediately If Damaged!



NOTE: Location of safety signs may vary on different adapter models.

Ref. No.	Part No.	Description	No. Req'd.
1	101296	Safety Sign – Warning (Lock Pin) (on models w/JD type)	1
2	101297	Safety Sign – Warning (Pinch Point)	1
3	101492	Safety Sign – Warning (Owner’s Manual) (on some models)	1
4	101313	Safety Sign – Warning (Latches) (on models w/SS)	1
5	N/A	Serial Number Label	1



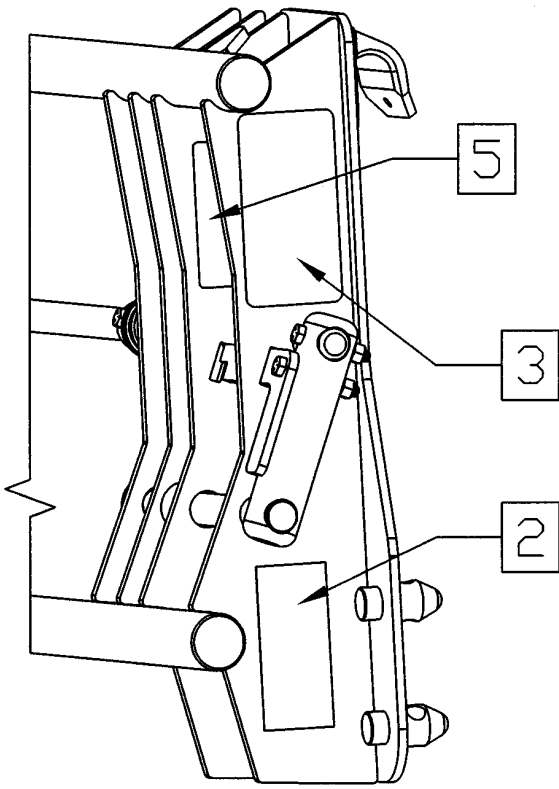
SAFETY SIGN LOCATION

ATTENTION! BECOME ALERT! YOUR SAFETY IS INVOLVED!

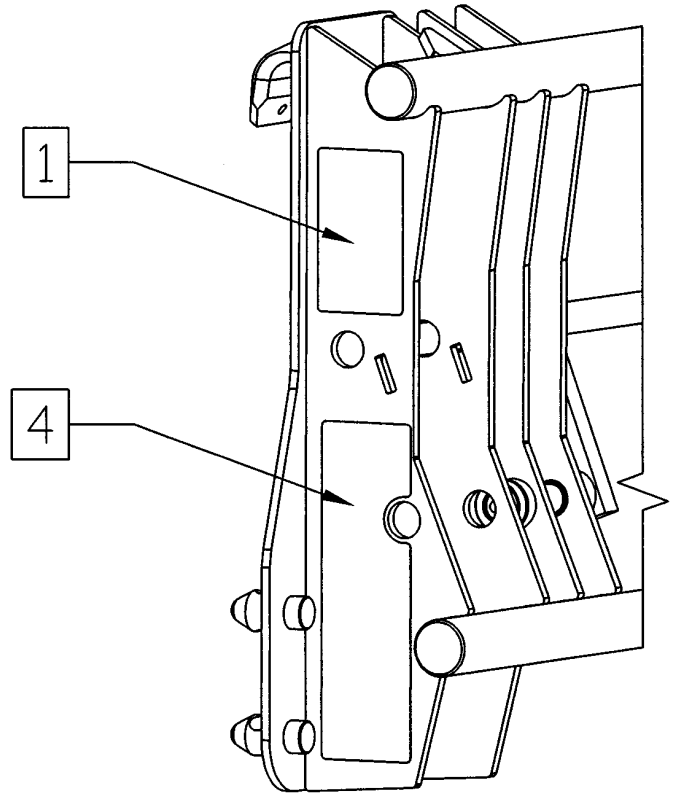
Replace Immediately If Damaged!



NOTE: Location of safety signs may vary on different adapter models.



LEFT SIDE



RIGHT SIDE

Ref. No.	Part No.	Description	No. Req'd.
1	101296	Safety Sign – Warning (Lock Pin) (on models w/JD type)	1
2	101297	Safety Sign – Warning (Pinch Point)	1
3	101474	Safety Sign – Warning (Latches) (on models w/Euro/Global)	1
4	101475	Safety Sign – Warning (Owner's Manual) (on some models)	1
5	N/A	Serial Number Label	1

INSTALLATION

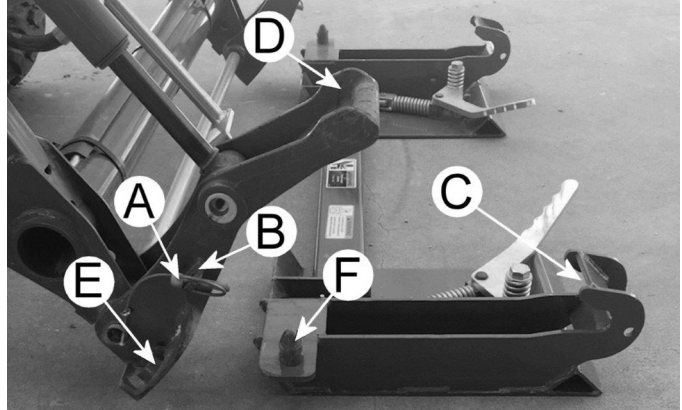
ATTACHING AND DETACHING ADAPTER

(FOR JOHN DEERE LOADERS WITH HOOK & PIN CONNECTION)

ATTACHING

Note: Begin with the carrier adapter lying flat on the ground in front of the tractor with the top end furthest away.

1. Place the transmission in NEUTRAL and start the engine.
2. Raise the loader boom just off the ground and tilt loader carriers (D) forward by extending loader carrier cylinders.
3. Drive forward and center the loader carriers (D) under and in between the hooks (C) on the adapter.
4. Raise the loader boom until the loader carrier (D) engages the hooks (C) on the adapter.
5. Retract loader carrier cylinders and tilt loader carriers (D) backward until adapter locking pins (F) engage carrier holder straps (E) on each side of the adapter.
6. Raise the loader boom 460 mm (18 in) above the ground.
7. Set the park brake and place the transmission in PARK (if applicable). Shut off engine and remove ignition key.
8. Remove quick-lock pins (A) from the storage position (B) on each side of the loader and install into adapter locking pins (F).



NOTE: On some models, the storage location for locking pins may be different from what is shown.



WARNING

■ Do not operate this product until you have positive indication that this attachment is securely mounted to the loader. Failure to install lock pins could result in injury or death by falling attachment.

NOTE: On attachments with two pins (F), the 200, 300 and 400 series loaders will utilize the upper pin and the 500 series loader will utilize the lower pin.



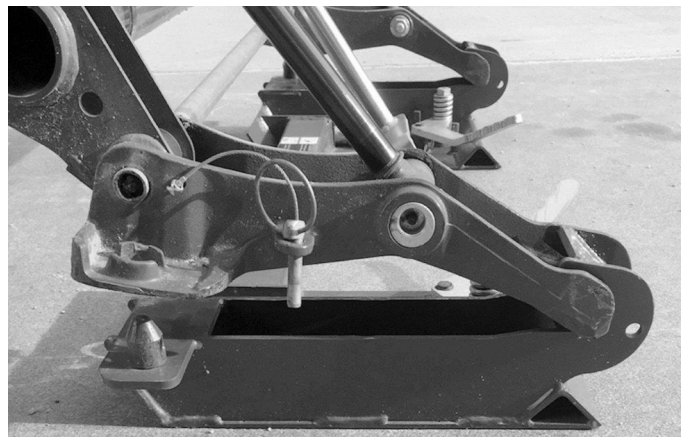
INSTALLATION

ATTACHING AND DETACHING ADAPTER

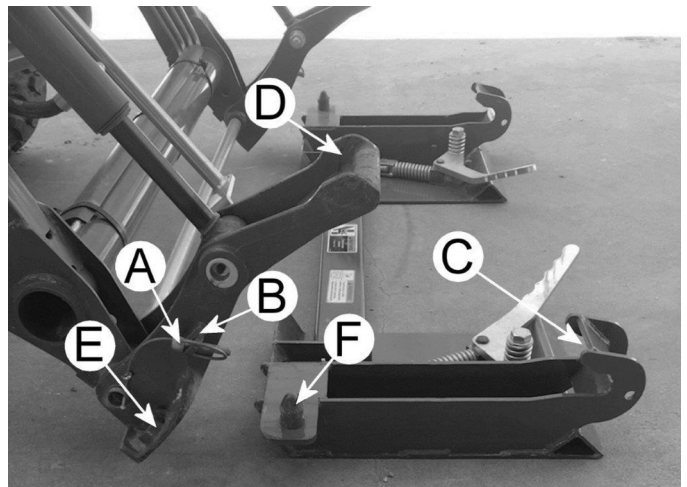
(FOR JOHN DEERE LOADERS WITH HOOK & PIN CONNECTION)

DETACHING

1. Place the transmission in NEUTRAL and start the engine.
2. Release the park brake.
3. Raise the boom 460 mm (18 in) above the ground.
4. Extend the loader carrier cylinders until the face of the adapter is parallel with the ground.
5. Lower the boom until the adapter is on the ground or storage surface.
6. Engage the tractor park brake and place the transmission in PARK (if applicable). Shut off engine and remove ignition key.
7. Remove quick-lock pins (A) from each side of the adapter.
8. Store pins in the storage position holes (B) on both sides of the loader.
9. Start the engine and release the park brake.
10. Raise the boom about 100 mm (4 in) above the ground and extend loader carrier cylinders until adapter locking pins (F) release from holder straps on each side of the adapter.
11. Place the transmission in REVERSE, and move away from the adapter releasing holders from hooks on each side of the adapter.



NOTE: On some models, the storage location for locking pins may be different from what is shown.



INSTALLATION

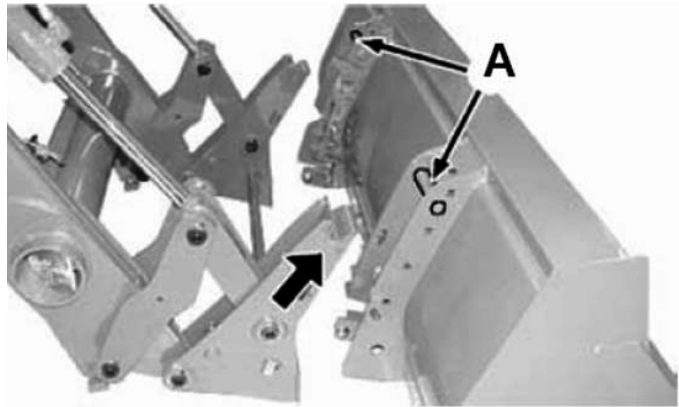
ATTACHING AND DETACHING ADAPTER

(FOR JOHN DEERE 600 & 700 SERIES LOADERS WITH QUIK-CHANGE LATCHES)

ATTACHING

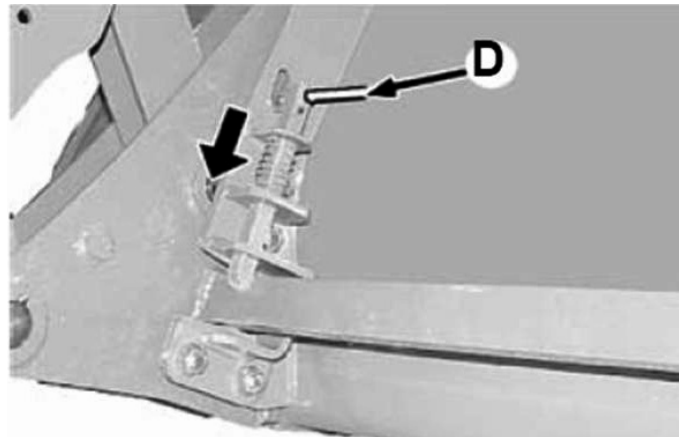
Note: Begin with the carrier adapter lying flat on the ground in front of the tractor with the top end furthest away.

1. Place the transmission in NEUTRAL and start the engine.
2. Raise the loader boom just off the ground and tilt loader carriers forward by extending loader carrier cylinders.
3. 600/700 - Drive forward, adjusting loader height and position until the top of the bracket is aligned with the pins (A).
4. Raise loader and retract bucket tilt cylinders to engage lock pins (D). Continue retracting the bucket tilt cylinders until the pins (D) have fully dropped on both sides.
5. Retract bucket cylinders and raise loader until main frame of adapter is vertical.
6. Set the park brake and place the transmission in PARK (if applicable). Shut off engine and remove ignition key.



700 SERIES

NOTE: Loader with Quik-Change latch plates: Pins/handles on attachment DO NOT need to be in the UP position for attaching.



700 SERIES BOLT-ON LATCH SHOWN



WARNING

■ Do not operate this product until you have positive indication that this attachment is securely mounted to the loader. Failure to latch properly could result in injury or death by falling attachment.

NOTE: Procedure is the same for all attachments. Bucket attachment shown.

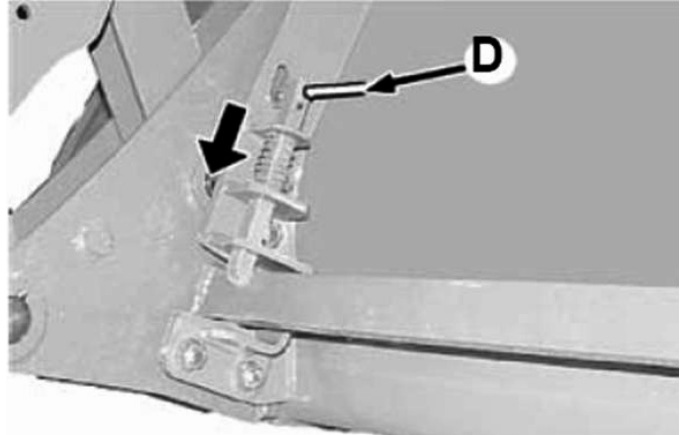
INSTALLATION

ATTACHING AND DETACHING ADAPTER

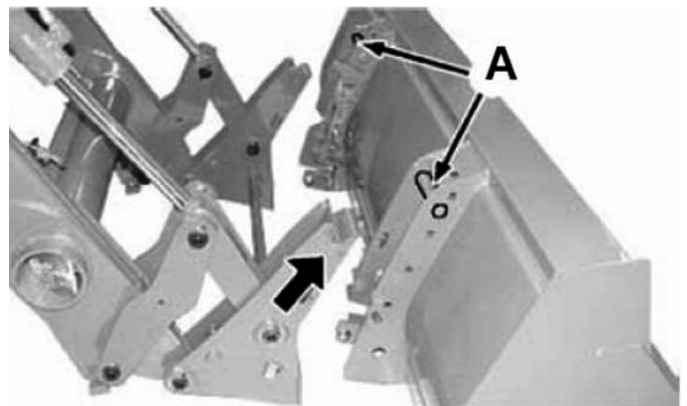
(FOR JOHN DEERE 600 & 700 SERIES LOADERS WITH QUIK-CHANGE LATCHES)

DETACHING

1. Place the transmission in NEUTRAL and start the engine.
2. Release the park brake.
3. Raise the boom 460 mm (18 in) above the ground.
4. Position the adapter with the frame about vertical.
5. Engage the tractor park brake and place the transmission in PARK (if applicable). Shut off engine and remove ignition key.
6. Lift and rotate latches (D) up on both sides of adapter.
7. Start tractor and extend bucket tilt cylinders to roll adapter forward. When adapter frame is about level with ground, lower loader until adapter is on ground.
8. Extend the loader carrier cylinders until the loader brackets clear latch pin pockets and holder is free from top pins (A).
9. Place the transmission in REVERSE, and move away from the adapter.



700 SERIES BOLT-ON LATCH SHOWN



700 SERIES

NOTE: Procedure is the same for all attachments. Bucket attachment shown.

INSTALLATION

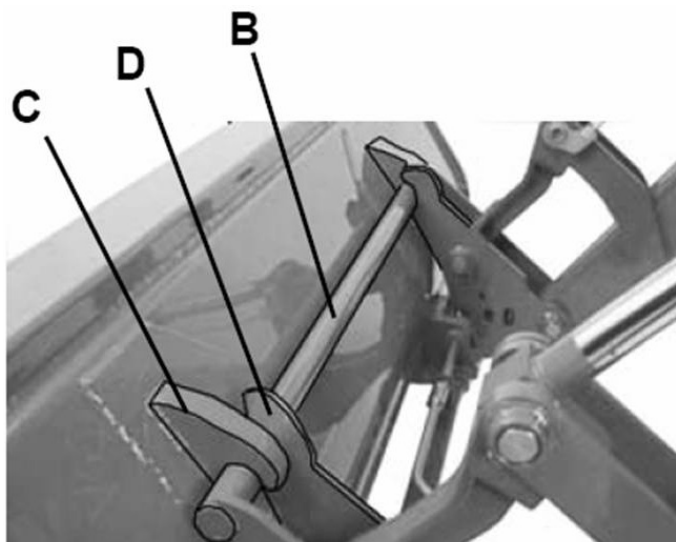
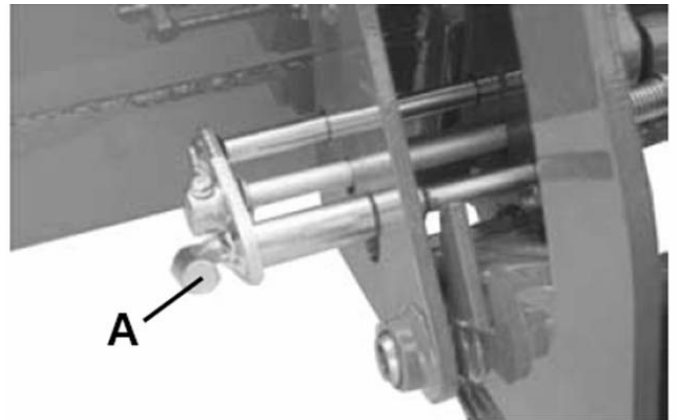
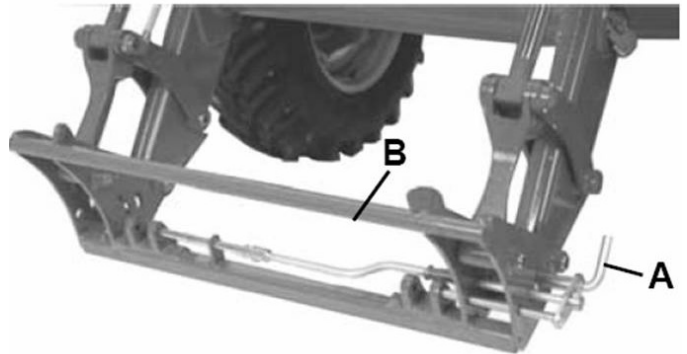
ATTACHING AND DETACHING ADAPTER

(EURO/GLOBAL CARRIER SERIES LOADERS)

NOTE: Instructions may vary depending on make and model of loader.

DETACHING

1. Place the transmission in NEUTRAL and start the engine.
2. Release the park brake.
3. Raise the boom 460 mm (18 in) above the ground.
4. Extend the loader carrier cylinders until the face of the adapter is vertical with the ground.
5. Engage the tractor park brake and place the transmission in PARK (if applicable). Shut off engine and remove ignition key.
6. Pull and rotate handle to open latch (A).
7. Start the engine and release the park brake. Lower attachment to ground. Slowly extend bucket tilt cylinders until loader clears the latch plate.
8. Place the transmission in REVERSE, and move away from the adapter releasing bar (B) from hooks (C) on each side of the adapter.
9. Drive tractor in reverse until loader is clear of the attachment.



NOTE: Procedure is the same for all attachments.
Bucket attachment shown.

INSTALLATION

ATTACHING AND DETACHING ADAPTER

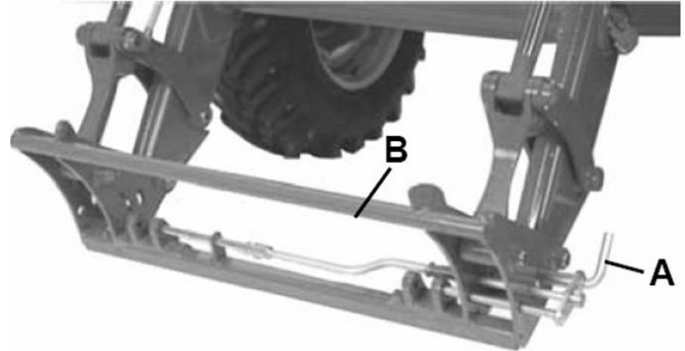
(EURO/GLOBAL CARRIER SERIES LOADERS)

NOTE: Instructions may vary depending on make and model of loader.

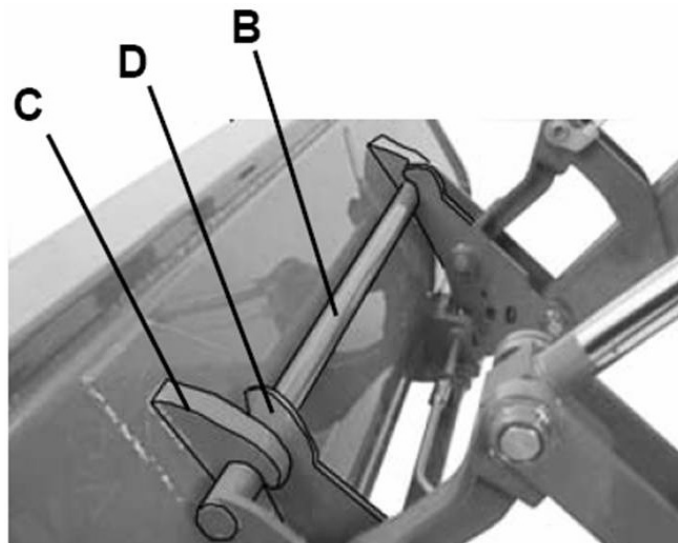
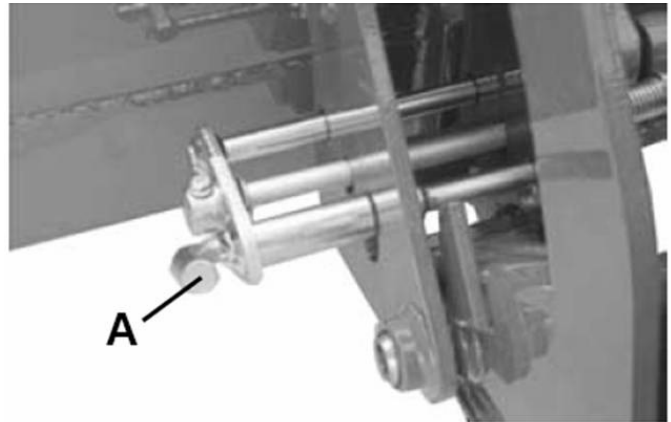
ATTACHING

Note: Begin with the carrier adapter lying flat on the ground in front of the tractor with the top end furthest away.

1. To prepare the loader for attachment, pull and rotate handle to open latch (A).
2. Place the transmission in NEUTRAL and start the engine.
3. Raise the loader boom just off the ground and tilt loader carriers (D) forward by extending loader carrier cylinders.
4. Extend tilt cylinders to angle attaching brackets forward.
5. Drive forward, adjusting loader height and position until the bar (B) is under hooks (C) and tabs (D) are on the center side of the hooks.
6. Raise loader and retract tilt cylinders until latch closes. Some models may require you to manually close the latch.
7. Retract bucket cylinders and raise loader until main frame of adapter is vertical.
8. Lower adapter, shut off engine and remove key.



NOTE: Procedure is the same for all attachments. Bucket attachment shown.



WARNING

■ Do not operate this product until you have positive indication that this attachment is securely mounted to the loader. Failure to latch properly could result in injury or death by falling attachment.

INSTALLATION

ATTACHING AND DETACHING IMPLEMENTS

(FOR ATTACHMENTS WITH “UNIVERSAL” SKID STEER CONNECTION)

NOTE: Procedure is the same for all attachments/implements.

ATTACHING

WARNING

■ Improper attachment of the implement could result in injury or death. Do not operate this product until you have positive indication that the implement is securely mounted.

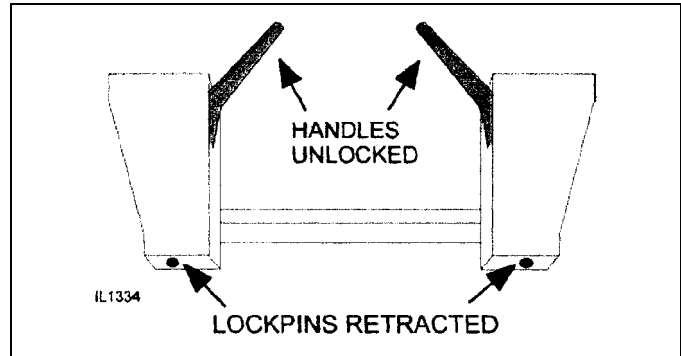


Figure 2. Coupler Handles - Unlocked

1. Position the implement on a level surface.
2. The coupler handles should be in the unlocked position with lock pins retracted, Figure 2.
3. Enter the tractor. Fasten seatbelt, start engine. Disengage the parking brake.
4. Follow the attaching procedure in the tractor owner's manual. Align the adapter mechanism with the mounting on the implement, attach to the tractor or loader.
5. Engage the parking brake and shut down the tractor. Be sure to relieve pressure to the auxiliary hydraulic lines.
6. Unfasten safety restraints and exit the tractor.
7. Engage the latching mechanism to secure implement to adapter. The lockpins must be completely extended and secured into the retaining slots provided on the implement. Figure 3.
8. Re-enter the tractor. Fasten seatbelt and re-start engine.
9. Carefully raise the loader and cycle the rollback/tilt cylinders to check clearances and to ensure that the implement is securely mounted.

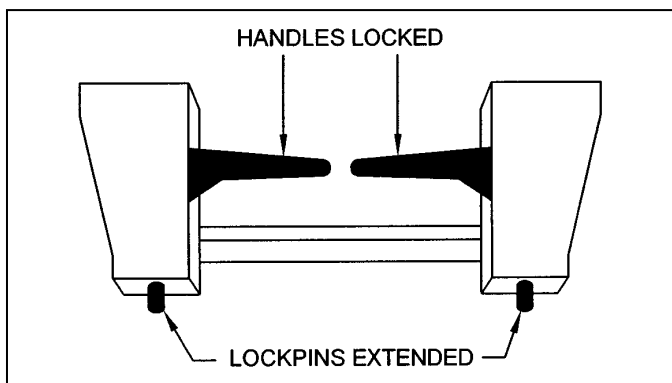


Figure 3. Coupler Handles - Locked

WARNING

■ Do not operate this product until you have positive indication that this attachment is securely mounted to the loader. Failure to engage lock pins could result in injury or death by falling attachment.

■ Adapter coupler handles must always be rotated to LOCK POSITION to prevent coupler latch from disengaging and implement from falling off.

INSTALLATION

ATTACHING AND DETACHING IMPLEMENTS

(FOR ATTACHMENTS WITH “UNIVERSAL” SKID STEER CONNECTION)

NOTE: Procedure is the same for all attachments/implements.

DETACHING

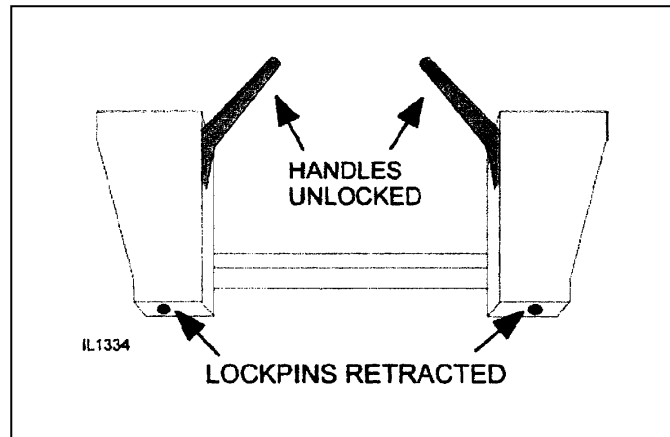


Figure 2. Coupler Handles - Unlocked

1. If possible, find a level solid location to place the implement. This makes it easier to disconnect and to re-connect later on.
2. Lower the implement to the ground.
3. Engage the parking brake and shut down the tractor. Be sure to relieve pressure to the auxiliary hydraulic lines (if used).
4. Unfasten safety restraints and exit tractor.
5. Disconnect the implement hydraulic lines from the tractor (if used). Connect quick couplers together to keep clean.
6. Disengage attachment-locking mechanism (mechanical type). Figure 2.
7. Enter tractor, fasten safety restraints and start the tractor.
8. Disengage the parking brake, and back away from the implement.

INSTALLATION

ATTACHING AND DETACHING IMPLEMENTS

(FOR ADAPTERS WITH EURO/GLOBAL CARRIER CONNECTION)

NOTE: Procedure is the same for all attachments/implements.

ATTACHING



WARNING

■ Improper attachment of the implement could result in injury or death. Do not operate this product until you have positive indication that the implement is securely mounted.

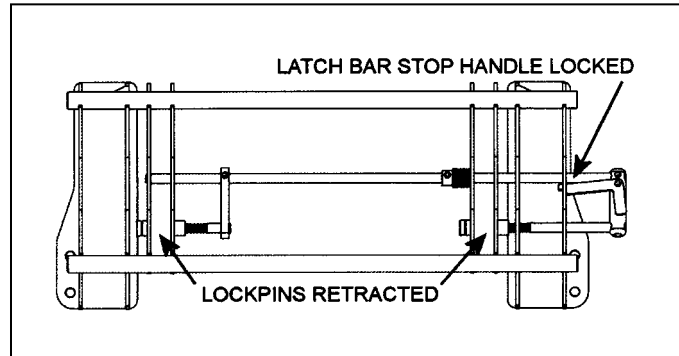


Figure 2. Latch Bar Stop Handle - Locked

1. Position the implement on a level surface.
2. The latch bar stop handle should be in the locked position with lock pins retracted, Figure 2.
3. Enter the tractor. Fasten seatbelt, start engine. Disengage the parking brake.
4. Follow the attaching procedure in the loader owner's manual. Align the adapter mechanism with the attaching points on the implement, attach to the loader.
5. Engage the parking brake and shut down the tractor. Be sure to relieve pressure to the auxiliary hydraulic lines.
6. Unfasten safety restraints and exit the tractor.
7. Release the latch bar stop and push lock pin mechanism to secure implement to adapter. The lockpins must be completely extended into the retaining bushings provided on the adapter. Figure 3.
8. Re-enter the tractor. Fasten seatbelt and re-start engine.
9. Carefully raise the loader and cycle the rollback/tilt cylinders to check clearances and to ensure that the implement is securely mounted.

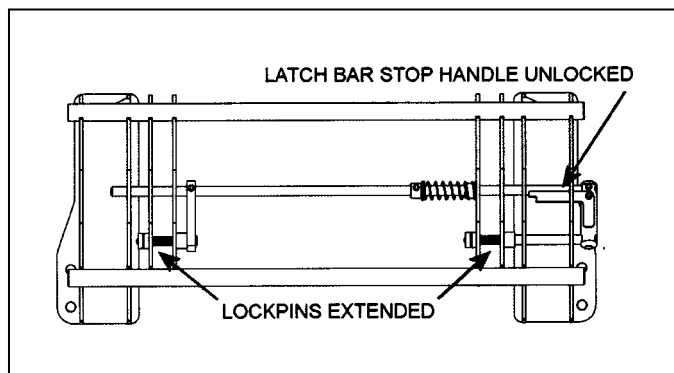


Figure 3. Latch Bar Stop Handle - Unlocked



WARNING

■ Do not operate this product until you have positive indication that this attachment is securely mounted to the loader. Failure to engage lock pins could result in injury or death by falling attachment.

■ Adapter coupler lock pins must always be extended to LOCK POSITION to prevent coupler latch from disengaging and implement from falling off.

INSTALLATION

ATTACHING AND DETACHING IMPLEMENTS

(FOR ADAPTERS WITH EURO/GLOBAL CARRIER CONNECTION)

NOTE: Procedure is the same for all attachments/implements.

DETACHING

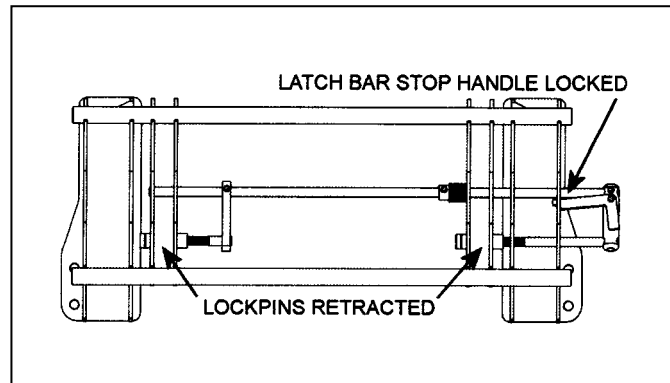


Figure 2. Latch Bar Stop Handle - Locked

1. If possible, find a level solid location to place the implement. This makes it easier to disconnect and to re-connect later on.
2. Lower the implement to the ground.
3. Engage the parking brake and shut down the tractor. Be sure to relieve pressure to the auxiliary hydraulic lines (if used).
4. Unfasten safety restraints and exit tractor.
5. Disconnect the implement hydraulic lines from the tractor (if used). Connect quick couplers together to keep clean.
6. Disengage attachment-locking mechanism (mechanical type) by pulling lockpin weldment outward until latch bar stop handle is in locked position. Figure 2.
7. Enter tractor, fasten safety restraints and start the tractor.
8. Tilt the carrier forward so top bar disengages from the top hooks on the implement.
9. Disengage the parking brake, and back away from the implement.

OPERATION

Safety is a primary concern in the design and manufacture of our products. Unfortunately, our efforts to provide safe equipment can be wiped out by an operator's single careless act.

In addition to the design and configuration of equipment, hazard control and accident prevention are dependent upon the awareness, concern, judgement, and proper training of personnel involved in the operation, transport, maintenance and storage of equipment.

It has been said "The best safety device is an informed, careful operator." We ask you to be that kind of operator.

The operator is responsible for the safe operation of this equipment. The operator must be properly trained. Operators should be familiar with the equipment, the tractor, and all safety practices before starting operation. Read the safety rules and safety decals on pages 3 through page 10.

The required size of the tractor and front loader will be determined by the weight of the load to be handled.

Always use a tractor and front loader large enough to safely handle the load.

Check your tractor and front loader to make sure they are in good working condition.

When lifting loads with a tractor front loader, it is always best to have a heavy implement or weight box connected to the rear 3 pt. hitch.



WARNING

■ **Tractor must be equipped with ROPS or ROPS cab and seat belt. Keep seat belt securely fastened. Falling off tractor can result in death from being run over or crushed. Keep foldable ROPS systems in "locked up" position at all times.**

These adapters are designed for loaders having various loader carriers. Depending on the adapter used, they will allow the customer to connect to attachments with a different mounting design.

The information on pages 28-30 of this manual list the adapters and the capacity of each.

Never exceed the load limit of the tractor, loader, or adapter. DO NOT use this adapter on larger loaders and try to handle loads that are greater than what this adapter is designed for.

Check your loader manual if there is a question.



WARNING

■ **Never allow children or untrained persons to operate equipment.**

■ **Keep bystanders away from equipment.**

■ **Never allow riders on tractor or attachment.**

■ **Always be careful when tipping a load back when the loader is fully raised. The load could fall back on the operator or the tractor, causing injury or death.**

■ **Do not detach loader from tractor with this attachment installed. Equip loader with materials bucket when detaching.**

Operation *Cont'd*



WARNING

■ Do not operate this product until you have positive indication that this adapter and implement is securely mounted to the loader. Failure to install lock pins or latch properly could result in injury or death.

■ Operate the equipment only when properly seated at the operator's station. Any other method could result in serious personal injury or death.

■ Do not exceed the recommended lifting capacity of loader, adapter, or the prime mover.

■ Transport the implement at a slow speed and with the loader at the lowest transport position to avoid tipping or upsetting, which could result in serious injury or death.



WARNING

■ Rear ballast is required to ensure 25% of gross vehicle weight is transferred to the rear axle. Attachment and load must be included as weight. Adequate rear weights are required to counterbalance maximum loader capacity and safe loader operation. Weight can be added as rear tire liquid, rear wheel weights, rear axle weights and/or three point hitch mounted ballast or implement. Ballasting will vary with tractor and loader attachment. Refer to the Tractor manual for recommended ballasting.



OPERATE LOADER SAFELY

- Be sure tractor is properly counter-balanced with weights before attempting to lift any load.
- Start lifting slowing and smoothly. Lift speeds can be slightly increased once the load has started moving and appears to be stable.
- Allow for additional length of loader and attachment on tractor while turning.
- Check visibility. If visibility is impaired, reduce speed or consider other means of transport.
- Before exiting the prime mover, lower the attachment to the ground, turn off the prime mover's engine, remove the key and apply the brakes.



CAUTION

■ Beware of lift clearance when raising loader to maximum height.

When stacking or loading vehicles, make sure you are operating in an area **AWAY FROM OVERHEAD WIRES**.

■ Keep load centered on attachment and loader. Unbalanced loads increase possibility of tipping or roll-over.

■ Never stack loads on uneven ground. Loads stacked on uneven ground can topple.



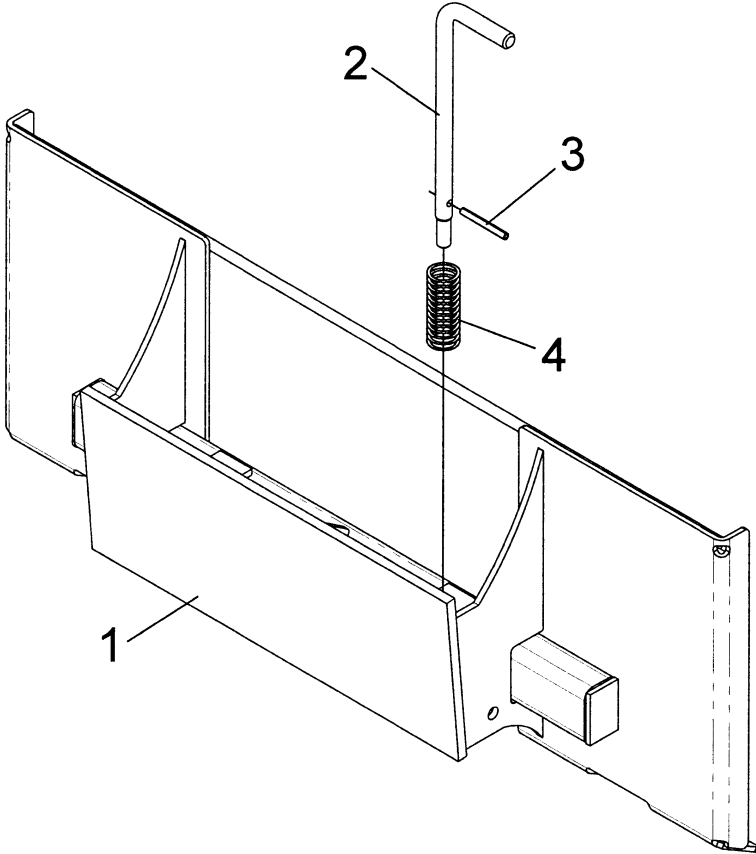
DANGER

■ Beware of low electrical wires when loader is raised. Serious injury or death can result if contact is made.

Do not leave the operator's seat if any part of the tractor or implement contacts electric lines.

ADAPTER DRAWING & PARTS LIST

For Adapters – Skid Steer to Mini-Universal



Ref. No.	Part No.	Description	No. Req'd.
1	835220	Skid Steer/Mini Skid Steer Frame Weldment	1
2	835217	Lock Handle	2
3	2504042	Roll Pin 1/4" x 2 1/4"	2
4	2504278	Spring, Compression	2
NS	101310	Safety Sign - Warning (Pallet Forks)	1
NS	101313	Safety Sign - Warning (Latches)	1
NS	101297	Safety Sign - Warning (Pinch Point)	1

OWNER SERVICE

The information in this section is written for operators who possess basic mechanical skills. If you need help, your dealer has trained service technicians available. For your protection, read and follow the safety information in this manual.

MAINTENANCE & STORAGE



WARNING

■ **NEVER GO UNDERNEATH EQUIPMENT.** Never place any part of the body underneath equipment or between moveable parts even when the engine has been turned off. Hydraulic system leak down, hydraulic system failures, mechanical failures, or movement of control levers can cause equipment to drop or rotate unexpectedly and cause severe injury or death.

- Service work does not require going underneath.
- Read Manual for service instructions or have service performed by a qualified dealer.



WARNING

■ **Keep all persons away from operator control area while performing adjustments, service, or maintenance.**

■ **Before dismounting tractor or performing any service or maintenance, follow these steps: disengage power to equipment, lower all raised components to the ground, operate valve levers to release any hydraulic pressure, set parking brake, stop engine, remove key, and unfasten seat belt.**

Replace any worn or damaged parts immediately. Do not use adapter with any damaged parts.

Replace safety decals if damaged or missing.

NOTICE: Some adapters with the “Universal” Skid Steer connection have 5/8” concave “Belleville” washers to provide tension on the latch handles. These parts are **NOT** interchangeable on some adapters. When ordering replacement parts, check to make sure the correct parts are ordered.

The adapters with the “Universal” Skid Steer connection and utilizing the “Belleville” spring washers, can sometimes have the handle pivot bolt work loose. If this occurs, remove the bolt and apply locktite on the threads. Reinstall the bolt and adjust for proper tension on the handle.

Periodically lubricate the lockpin guides on the skid steer latch with a good grade of grease.

Thoroughly clean the grease zerks before servicing. Dirt mixed with lubricant will rapidly wear parts and destroy bearings. Keep it clean.

Apply a few drops of oil to the other latch pivot points.

On Euro/Global type adapters, smear some grease on the lock shift shaft and lock pins where they go through bushings or frame members. This will keep the locking mechanism working smoothly.



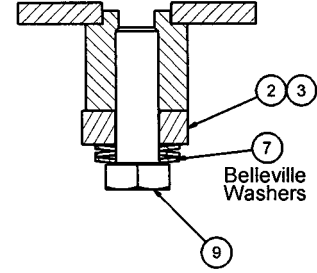
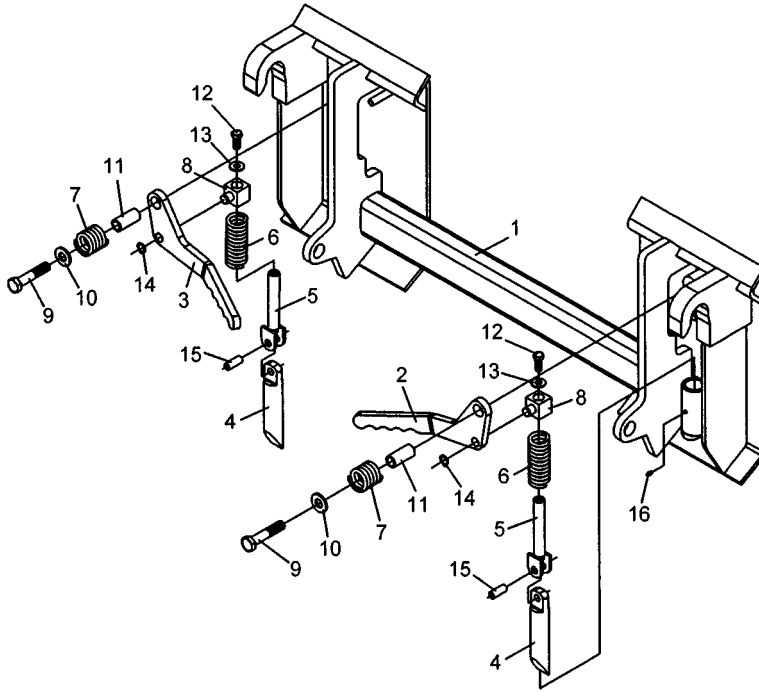
WARNING

■ **Never use your hands to locate a hydraulic leak. Use a piece of cardboard or wood. Hydraulic fluid escaping under pressure can penetrate skin. Openings in skin and minor cuts are susceptible to infection from hydraulic fluid. If injured by escaping hydraulic fluid, see a doctor at once. Gangrene and death can result. Without immediate medical treatment, serious infection and reactions can occur.**

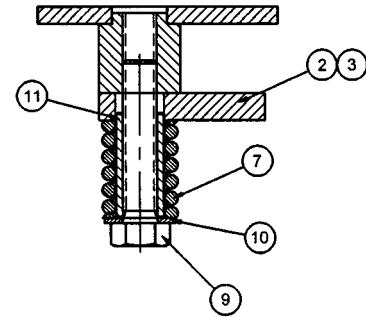
Storage location should be level and solid to make attaching and detaching easy. Store in a clean, dry location away from children and livestock.

ADAPTER DRAWING & PARTS LIST

For Adapters with Skid Steer Connection



See Notice Below

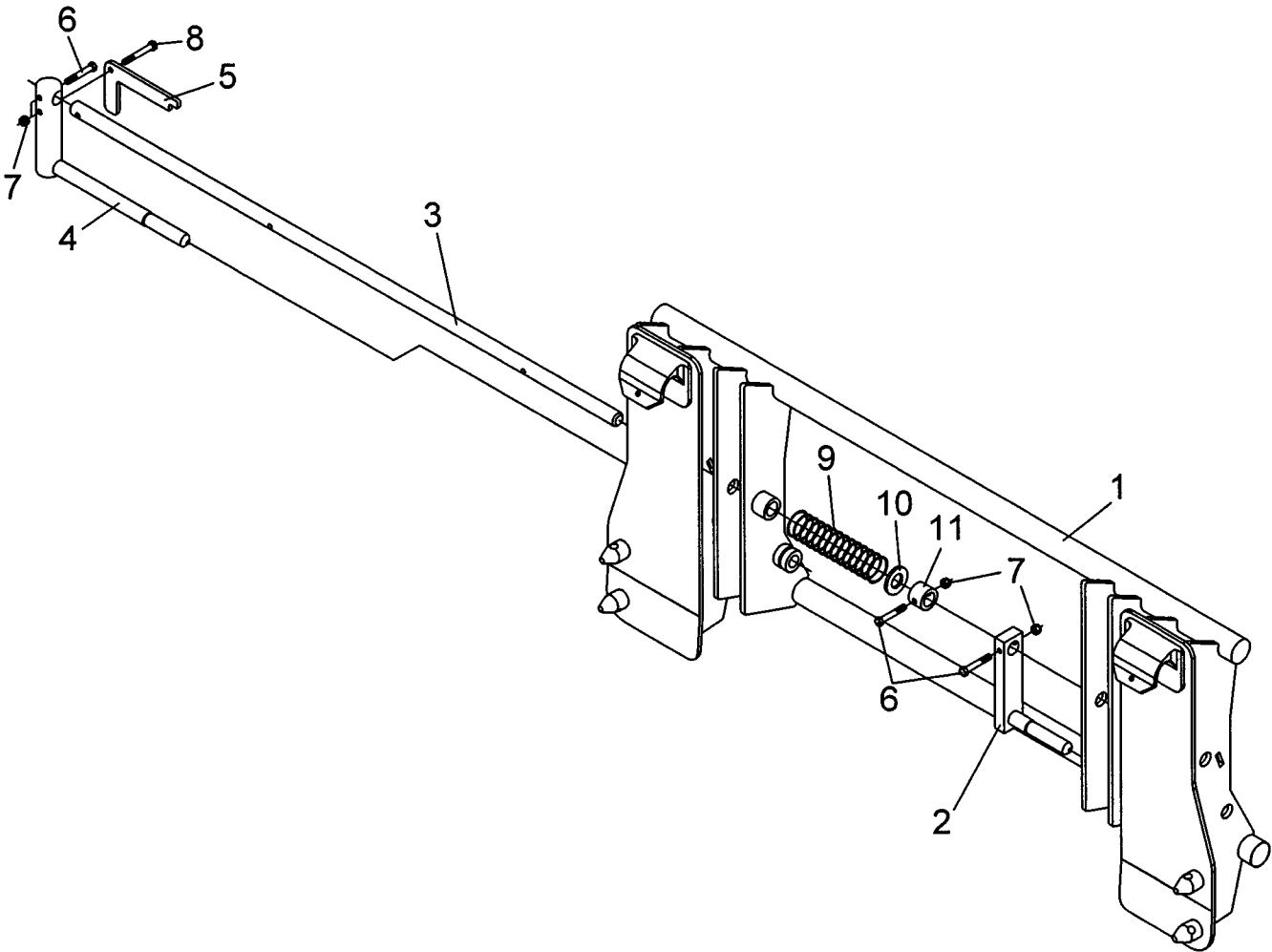


NOTICE: Some adapters with the "Universal" Skid Steer connection have 5/8" concave "Belleville" washers to provide tension on the latch handles. Other adapters have a compression spring to provide tension on the latch handles. These parts are **NOT** interchangeable. When ordering replacement parts, check to make sure the correct parts are ordered.

Ref. No.	Part No.	Description	No. Req'd.
1	-----	Main Frame Weldment (not available as repair part)	1
2	832586	Lever, Right Hand (0.891" Dia. Hole) w/Springs	1
	832546	Lever, Right Hand (0.656" Dia. Hole) w/Belleville Washers	1
3	832587	Lever, Left Hand (0.891" Dia. Hole) w/Springs	1
	832547	Lever, Left Hand (0.656" Dia. Hole) w/Belleville Washers	1
	831988	Lever (for 831980 only)	2
4	832565	Lockpin, Plated	2
5	832566	Spring Rod Weldment	2
6	832567	Spring, Skid Steer Latch	2
7	832589	Spring, Adapter Lever	2
	2502024	Washer, Belleville 5/8"	6
8	832593	Block, Snap Ring Pivot	2
9	2503134	Bolt 5/8"-11NC x 3" Hex Head Gr. 5 (w/Springs)	2
	2503152	Bolt 5/8"-11NC x 2" Hex Head Gr. 5 (w/Belleville Washers)	2
10	2501044	SAE Flat Washer 5/8"	2
11	832588	Bushing, Adapter Handle	2
12	2503338	Bolt 7/16"-14NC x 1" Hex Head Gr. 5	2
13	2501007	Flat Washer 7/16"	2
14	2504280	Retaining Ring 5/8"	2
15	2504266	Roll Pin 1/2" x 1 1/4"	2
16	2504004	Grease Zerk 1/4" Drive	2

ADAPTER DRAWING & PARTS LIST

For Adapters with Euro/Global Connection



Ref. No.	Part No.	Description	No. Req'd.
1	-----	Main Frame Weldment (not available as repair part)	1
2	835029	Short Lock Pin Weldment	1
3	835037	Lock Shift Shaft	1
4	835034	Long Lock Pin Weldment	1
5	835022	Stop Latch Bar	1
6	2503119	Bolt 5/16"-18NC x 2" Hex Head Gr. 5	3
7	2500046	Nut 5/16"-18NC Hex Nylock	4
8	2503092	Bolt 5/16"-18NC x 2 1/4" Hex Head Gr. 2	1
9	2504223	Spring, Lock Bar	1
10	2501040	Washer 7/8" Medium Flat SAE	1
11	835057	Spring Capture Bushing	1

TROUBLESHOOTING GUIDE

PROBLEM	POSSIBLE CAUSE	POSSIBLE REMEDY
Skid steer handles hard/stiff to operate	1. Handle pivot bolt and spring(s) too tight	Adjust bolt
	2. Lock pins need grease	Grease lock pins
	3. Linkage bent	Replace linkage parts
	4. Lock pin(s) bent *	Replace lock pin
Skid steer lock pins hard to move	1. Dirt buildup	Clean and grease lock pins
	2. Lock pins need lubrication	Grease lock pins
	3. Lock pin(s) bent *	Replace lock pin
Skid steer handle pivot bolt comes loose	1. Bolt not secure in threaded hole	Remove or replace bolt and install with lock-tite on threads
Skid steer lock pins not fully engaging in attachment slots	1. Frame not properly engaged in top groove	Check and reattach Check to see if dirt or debris is in upper groove
Euro/Global linkage to move lock pins is hard to move	1. Linkage needs lubrication	Smear grease on linkage in front of bushings
	2. Linkage bent	Check linkage and replace any bent parts
	3. Lock pin(s) bent *	Replace lock pin

* Using attachment in reverse can possibly bend lock pin(s) (back dragging).

ADAPTER INFORMATION

Item #	OEM	Description	Weight
835075	Euro/Global to John Deere 400 Style Carrier	Euro/Global to JD 400 series Max. Cap 4,000 lbs.	85
835080	3-pt to Skid Steer	Interfaces with Cat. I or Cat. II 3-pt (quick hitch compatible) allows the use of skid steer type attachemtns	140
835095	Skid Steer to Cat I Quick Hitch	"Unv" Skid Steer to Cat I Quick Hitch (w/bushings) to allow the use of Cat I non-PTO powered implements on a skid steer	148
835100	Skid Steer to Cat II Quick Hitch	"Unv" Skid Steer to Cat II Quick Hitch (w/bushings) to allow the use of Cat II non-PTO powered implements on a skid steer	217
835110	Mahindra eMax, 25L & TYM TX-25 to Skid Steer	Mahindra models eMax 25L & TYM TX-25 center single cylinder Max. Cap 1,200 lbs.	69
835115*	Mahindra Max 26L to Skid Steer	Mahindra Max 26L, ML205 Max. Cap 1,200 lbs.	85
835120	Kioti SL2410 to Skid Steer	Kioti SL2410 center single lift cylinder Max. Cap 1,200 lbs.	67
835125*	Massey Ferguson DL95 / NH235TL to Skid Steer	Massy Ferguson DL95 & NH235TL Max. Cap 1,200 lbs.	73
835130	Kubota LA240, LA243 to Skid Steer	Kubota LA240, LA243 center single cylinder Max. Cap 1,200 lbs.	68
835135	JD 200 Series to Skid Steer	JD 200X, 200CX, H120, H130, H130, D120, D160 Max. Cap. 1,200 lbs.	90
835140*	McCormick 125C, Branson SL100, Kioti KL2510, LS-LL2101, LS-L1100, Mahindra eMax 25LS, NH-100LC to Skid Steer	McCormick 125C, Branson SL100, Kioti KL2510, LS-LL2101, LS-L1100, LS-LL1101, Mahindra eMax 25LS, NH-100LC Max. Cap 1,200 lbs.	95
835140*	Mahindra eMax 25LS to Skid Steer	Mahindra eMax 25LS Max. Cap. 1,200 lbs.	95
835145*	Mahindra Max 24L to Skid Steer	Mahindra Max 24L Max Cap 1,200 lbs.	85
835150	Kubota LA504, LA534 to Skid Steer	Kubota LA504, LA534 Max. Cap 1,500 lbs.	94
835160	Kubota LA524, LA525 to Skid Steer	Kubota LA524, LA525 Max. Cap 1,500 lbs.	103
835190	Loaders used on Versatile 160, 256,276 & Ford 9030 to Skid Steer	Loaders on Versatile 160, 256, 276, Ford 9030 Bidirection tractors. Max Cap. 5,000 lbs.	255
835195	Loaders used on Versatile 160, 256,276 & Ford 9030 to Euro/Global	Loaders on Versatile 160, 256, 276, Ford 9030 Bidirection tractors. Max Cap. 5,000 lbs.	285
835200	Euro/Global to John Deere 500 Style Carrier	Euro/Global to JD 500 Max. Cap 4,000 lbs.	85
835205	Skid Steer to John Deere 500 Style Carrier	Skid Steer to JD 500 Max. Cap 4,000 lbs.	105
835230	Bush Hog M46 series to Skid Steer	Bush Hog M346, M446, M546, M646 Max. Cap. 3,500 lbs.	132
835240	Westendorf TA-20 to Skid Steer	Westendorf TA-20-series Max. Cap 3,500 lbs.	160
835245	Westendorf TA-40 to Skid Steer	Westendorf TA-40-series Max. Cap 3,500 lbs.	

* Adapter has Belleville spring washers to tension latch handles.

ADAPTER INFORMATION

Item #	OEM	Description	Weight
831725	Kubota LA1251, LA1301, LA1601 to Skid Steer	Kubota LA1251, LA1301, LA1604 Max. Cap 3,500 lbs.	150
831875 *	JD 145/146/148 to Skid Steer	JD 145/146/148/158 Max. Cap 3,000 lbs.	125
831895	MF 232/236 to Skid Steer	MF 232, 236, 832, 838, 1032 Max. Cap 3,500 lbs.	148
831895	MF 238/938 to Skid Steer	MF 238/938/948/1036/1048 (1-1/4" pins) Max. Cap 3,500 lbs.	148
831980 *	JD240/245/260/265 to Skid Steer	JD 240/245/260/265 Max. Cap 3,500 lbs.	165
832550	Euro to Skid Steer	Euro to Skid Steer Adapter Max. Cap 4,000 lbs.	110
832620	JD 300/500 to Skid Steer	JD 300/400/500 Max. Cap 4,000 lbs.	118
832631	Euro/Global to John Deere 600/700	Euro/Global loaders to JD 600/700 Max. Cap 5,000 lbs.	140
832650	JD600/700 to Skid Steer	JD 600/700 Max. Cap 5,000 lbs.	140
832655	Universal SS Adapter Compact Loaders	Universal Skid Steer adapter / compact loaders Max. Cap 3,000 lbs.	138
832660	Universal SS Adapter Standard Loaders	Universal Skid Steer adapter / standard loaders Max. Cap 3,000 lbs.	140
832745	Yanmar Quick Attach to Skid Steer	Yanmar YL110 & YL210 to Skid Steer Max. Cap. 1,200 lbs.	
832810	Kubota to Skid Steer	Kubota LA350, LA401, LA402, LA450, LA452, LA480, LA481, LA482, LA680, LA681, LB402, LB552, LB702 Max. Cap 3,500 lbs.	110
832815	JD 48/58 to Skid Steer	JD 48/58 with single center cylinder Max. Cap 3,000 lbs.	148
832820	IH 2250/2255 to Skid Steer	IH loader 2250/2255 Max. Cap 3,000 lbs.	120
832830	NH 7308, 7108, Case IH L130 to Skid Steer	New Holland 7308 & 7108 & Case IH L130 Max. Cap 3,500 lbs.	117
832885	New Holland 2109/7109/7209/7210/7309/7310/7410 to Skid Steer	NH loaders 2109/7109/7209/7210/7309/7310/7410 Max. Cap 3,500 lbs.	120
832890 *	New Holland 14LA, 15LA, 16LA, 17LA, 18LA, Case IH LX114, LX116, LX118 to Skid Steer	New Holland 14LA, 15LA, 16LA, 17LA, 18LA & Case LX114, LX116. LX118 Max Cap 3,500 lbs.	120
832915	Kubota LA852 to Skid Steer	Kubota LA852 Max. Cap 3,500 lbs.	105
835020	Skid Steer to Euro/Global	Skid Steer to Euro/Global Max. Cap 4,000 lbs.	145
835030	JD 400/500 to Euro/Global	JD 400/500 Max. Cap 4,000 lbs.	140
835040	JD 600/700 to Euro/Global	JD 600/700 Max. Capacity 5,000 lbs.	174
835045	Universal Euro/Global Adapter Standard Loaders	Universal Euro/Global attachments. Max. Cap 4,000 lbs.	146
835070	Skid Steer to John Deere 400 Style Carrier	Skid Steer attach, to JD 400 series Max. Cap 4,000 lbs.	105

* Adapter has Belleville spring washers to tension latch handles.

SAFETY REQUIREMENTS

AVOID ACCIDENTS BY FOLLOWING ALL OF THE SAFETY REQUIREMENTS LISTED BELOW.

- Machinery should be operated only by those who are responsible and are authorized to do so.
- Stop the engine, lower all equipment, lock the brakes, and remove the ignition key before dismounting from the tractor.
- Never stand between tractor and implement while tractor is being backed to hitch.
- Loose fitting clothing should not be worn, to avoid catching on various parts.
- Detach implement in area where children normally do not play.
- When performing adjustments or maintenance on an implement, first lower it to the ground or block it securely at a workable height.
- Only a qualified operator should be permitted on tractor when in operation; no riders allowed.
- Make certain everyone is in the clear before starting tractor or raising or lowering equipment.
- Operate the tractor and implement only while seated in the driver's seat.
- Reduce speed when transporting mounted implements to avoid bouncing and momentary loss of steering control.
- A heavy load can cause instability of the tractor. Use extreme care during road travel. Slow down on turns and watch out for bumps. Tractor may need front counterweights to counter-balance the weight of the implement.
- Reduce speed on hillsides or curves so there is no danger of tipping.
- Avoid driving too close to the edge of ditches or creeks.
- Do not transport implement on public roads without reflectors and slow moving vehicle emblem in daylight and with approved warning lights at night and other periods of poor visibility.
- Due to the width of some implements, use extra caution on highways, farm roads, and when approaching gates.
- Always be sure the implement is in the proper position for transport.
- Keep alert and watch the front as well as the rear when working with the implement.

OWNER'S/ OPERATOR'S MANUAL

CAUTION

For Safe Operation
Read Rules And
Instructions Carefully

SI NO LEEINGLES, PIDA AYUDA
A AIGUIEN QUE SI LO LEA
PARA QUE LE TRADUZCA LAS
MEDIDAS DE SEGURIDAD.

MARCH 2021

ADAPTERS for TRACTOR FRONT LOADERS

WHEN ORDERING REPAIR PARTS,
ALWAYS GIVE THE FOLLOWING INFORMATION:

1. PART NUMBER
2. PART DESCRIPTION
3. MODEL NUMBER
4. NAME OF ITEM

Please work, drive, play, and live each day with care and concern for your safety and that of your family and fellow citizens.

WORKSAVER, INC.

P.O. BOX 100 LITCHFIELD, IL 62056-0100 (217) 324-5973
WEB: <http://www.worksaver.com> E-MAIL: sales@worksaver.com