

OWNER'S/ OPERATOR'S MANUAL

MODEL NO.'s

BSF-1523

HS-2200

HS-3000

HS-330

DBH-449

DBH-6000

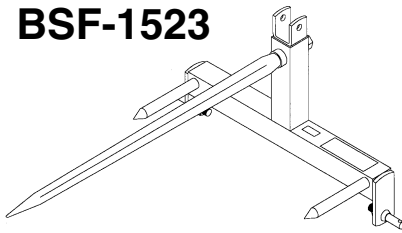


CAUTION

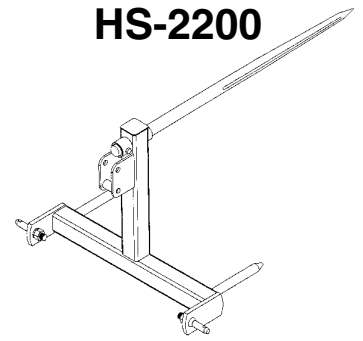
For Safe Operation
Read Rules And
Instructions Carefully

SI NO LEEINGLES, PIDA AYUDA
A ALGUIEN QUE SI LO LEA
PARA QUE LE TRADUZCA LAS
MEDIDAS DE SEGURIDAD.

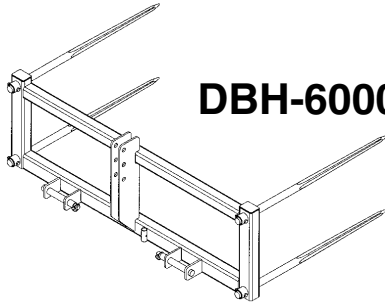
BSF-1523



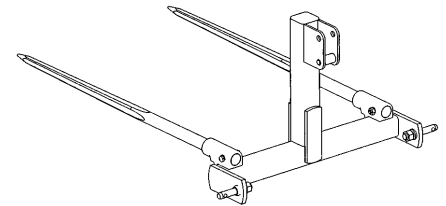
HS-2200



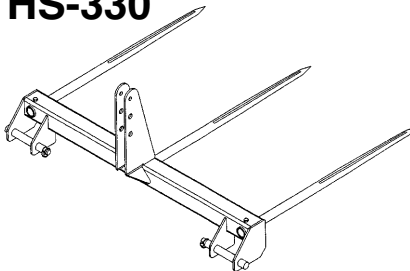
DBH-6000



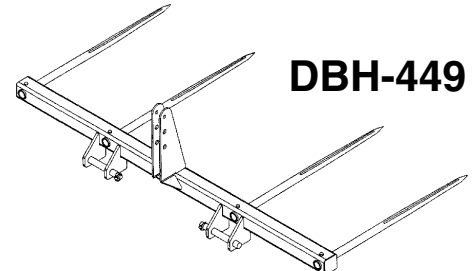
HS-3000



HS-330



DBH-449



3 PT. HITCH BALE SPEARS

**Safety Instructions
Assembly & Mounting
Operating Instructions**

**Maintenance
Repair Parts**



CAUTION

**THE FOLLOWING SAFETY PRECAUTIONS SHOULD BE THOROUGHLY UNDERSTOOD
BEFORE ATTEMPTING TO BEGIN ASSEMBLING THIS MACHINE**

1. Select an area for assembly that is clean and free of any debris which might cause persons working on the assembly to trip.
2. Do not lift heavy parts or assemblies. Use crane, jack, tackle, fork trucks or other mechanical devices.
3. Preview the assembly instructions in your operator's manual before proceeding further.
4. If the assembly instructions call for parts or assemblies to be blocked up, use only blocking material that is in good condition and is capable of handling the weight of the assembly to be blocked. Also insure that the blocking material is on a clean, dry surface.
5. Never put hands, or any part of body, under blocked up assemblies if at all possible.
6. After completing assembly, thoroughly inspect the machine to be sure that all nuts, bolts, hydraulic fittings or any other fastened assemblies have been thoroughly tightened.
7. Before operating the machine, thoroughly read the operation section of your operator's manual.
8. Before operating, read the maintenance section of your operator's manual to be sure that any parts requiring lubrication, such as gearboxes, are full, to avoid any possible damage.
9. **Before operating equipment – If you have any questions regarding the proper assembly or operation, contact your dealer or representative.**

TABLE OF CONTENTS

SI NO LEEINGLES, PIDA AYUDA A
AIGUIEN QUE SI LO LEA PARA QUE
LE TRADUZCA LAS MEDIDAS DE
SEGURIDAD.

WARRANTY	2
SAFETY INFORMATION	3
SAFETY SIGNS	11
INSTRUCTIONS	12
PARTS LISTS	14 - 19

STATEMENT OF POLICY

It is the policy of Worksaver, Inc. to improve its products where it is possible and practical to do so. Worksaver, Inc. reserves the right to make changes or improvements in design and construction at any time, without incurring the obligation to make these changes on previously manufactured units.

TO THE OWNER:

Read this manual before using your Bale Spear Attachment. This manual is provided to give you the necessary operating and maintenance instructions for keeping your Bale Spear Attachment in top operating condition. Please read this manual thoroughly. Understand what each control is for and how to use it. Observe all safety signs on the machine and noted throughout the manual for safe operation of implement. Keep this manual handy for ready reference.

Like all mechanical products, it will require cleaning and upkeep.

Use only genuine Worksaver, Inc. service parts. Substitute parts will void the warranty and may not meet standards required for safe and satisfactory operation. Record the model and serial number of your Attachment here:

Model: _____ Serial Number: _____

RETAIL CUSTOMER'S RESPONSIBILITY

It is the Retail Customer and/or Operator's responsibility to read the Operator's Manual, to operate, lubricate, maintain, and store the product in accordance with all instructions and safety procedures. Failure of the operator to read the Operator's Manual is a misuse of this equipment.

It is the Retail Customer and/or Operator's responsibility to inspect the product and to have any part(s) repaired or replaced when continued operation would cause damage or excessive wear to other parts or cause a safety hazard.

It is the Retail Customer's responsibility to deliver the product to the authorized Worksaver Dealer, from whom he purchased it, for service or replacement of defective parts which are covered by warranty. Repairs to be submitted for warranty consideration must be made within forty-five (45) days of failure.

It is the Retail Customer's responsibility for any cost incurred by the Dealer for traveling to or hauling of the product for the purpose of performing a warranty obligation or inspection.

LIMITED WARRANTY



Worksaver warrants to the original purchaser of any new Bale Spear Attachment, that the equipment be free from defects in material and workmanship for a period of six (6) months for non-commercial, state, and municipalities. Use sixty (60) days for commercial use from date of retail sale.

Replacement or repair parts installed in the equipment covered by this warranty are warranted for ninety (90) days from the date of purchase of such part or to the expiration of the applicable new equipment warranty period, whichever occurs later.

Such parts shall be provided at no cost to the user during regular working hours. Worksaver reserves the right to inspect any equipment or parts which are claimed to have been defective in material or workmanship.

DISCLAIMER OF IMPLIED WARRANTIES & CONSEQUENTIAL DAMAGES

Worksaver's obligation under this warranty, to the extent allowed by law, is in lieu of all warranties, implied or expressed, including implied warranties of merchantability and fitness for a particular purpose and any liability for incidental and consequential damages with respect to the sale or use of the items warranted. Such incidental and consequential damages shall include but not be limited to: transportation charges other than normal freight charges; cost of installation other than cost approved by Worksaver; duty; taxes; charges for normal service or adjustments; loss of crops or any other loss of income; rental of substitute equipment, expenses due to loss, damage, detention or delay in the delivery of equipment or parts resulting from acts beyond the control of Worksaver.

THIS WARRANTY SHALL NOT APPLY:

1. To vendor items which carry their own warranties, such as hydraulic cylinders, tires, and tubes.
2. If the unit has been subjected to misapplication, abuse, misuse, negligence, fire or other accident.
3. If parts not made or supplied by Worksaver have been used in connection with the unit, if, in sole judgement of Worksaver such use affects its performance, stability, or reliability.
4. If the unit has been altered or repaired outside of an authorized Worksaver dealership in a manner which, in the sole judgement of Worksaver affects its performance, stability or reliability.
5. To normal maintenance service and normal replacement items such as gearbox lubricant, hydraulic fluid, worn blades, or to normal deterioration of such things as belts and exterior finish, due to use or exposure.
6. To expendable or wear items such as teeth, chains, sprockets, belts, springs and other items that in the company's sole judgement is a wear item.

NO EMPLOYEE OR REPRESENTATIVE OF WORKSAVER IS AUTHORIZED TO CHANGE THIS WARRANTY IN ANY WAY OR GRANT ANY OTHER WARRANTY UNLESS SUCH CHANGE IS MADE IN WRITING AND SIGNED BY WORKSAVER'S SERVICE MANAGER, POST OFFICE BOX 100, LITCHFIELD, ILLINOIS 62056-0100.



To the Owner/Operator/Dealer

All implements with moving parts are potentially hazardous. There is no substitute for a cautious, safe-minded operator who recognizes the potential hazards and follows reasonable safety practices. The manufacturer has designed this implement to be used with all its safety equipment properly attached to minimize the chance of accidents.

BEFORE YOU START!!

**Read the safety messages on the implement and shown in your manual.
Observe the rules of safety and common sense!**



THIS SYMBOL MEANS

- ATTENTION!
- BECOME ALERT!
- YOUR SAFETY IS INVOLVED!

THIS SAFETY ALERT SYMBOL IDENTIFIES IMPORTANT SAFETY WARNING MESSAGES. CAREFULLY READ EACH WARNING MESSAGE THAT FOLLOWS. FAILURE TO UNDERSTAND AND OBEY A SAFETY WARNING, OR RECOGNIZE A SAFETY HAZARD, COULD RESULT IN AN INJURY OR DEATH TO YOU OR OTHERS AROUND YOU. THE OPERATOR IS ULTIMATELY RESPONSIBLE FOR THE SAFETY OF HIMSELF, AS WELL AS OTHERS, IN THE OPERATING AREA OF THE TRACTOR AND EQUIPMENT.

UNDERSTAND SIGNAL WORDS



DANGER

Indicates an imminently hazardous situation that, if not avoided, WILL result in DEATH OR VERY SERIOUS INJURY.



WARNING

Indicates a imminently hazardous situation that, if not avoided, COULD result in DEATH OR SERIOUS INJURY.



CAUTION

Indicates a imminently hazardous situation that, if not avoided, MAY result in MINOR INJURY.

IMPORTANT

Identifies special instructions or procedures that, if not strictly observed, could result in damage to, or destruction of the machine, attachments or the environment.

NOTE: *Identifies points of particular interest for more efficient and convenient operation or repair.*

If you have questions not answered in this manual or require additional copies or the manual is damaged, please contact your dealer or the manufacturer directly.

Important Safety Information!

Working with equipment can lead to injuries. Read this manual, and the manual for your tractor, before assembly or operating, to acquaint yourself with the machine. It is the equipment owner's responsibility, if this equipment is used by any person other than yourself, is loaned or rented, to make certain that the operator, prior to operating:

1. Reads and understands the operator's manuals.
2. Is instructed in safe and proper use.




The use of this equipment is subject to certain hazards which cannot be protected against by mechanical means or product design. All operators of this equipment must read and understand this entire manual, paying particular attention to safety and operating instructions, prior to using. If there is something in this manual you do not understand, ask your supervisor, or your dealer, to explain it to you.


SAFETY INSTRUCTIONS (continued)





EQUIPMENT SAFETY GUIDELINES


Safety of the operator is one of the main concerns in designing and developing a new piece of equipment. Designers and manufacturers build in as many safety features as possible. However, every year many accidents occur which could have been avoided by a few seconds of thought and a more careful approach to handling equipment. You, the operator, can avoid many accidents by observing the following precautions in this section. To avoid personal injury, study the following precautions and insist those working with you, or for you, follow them. Review the safety instructions with all users annually.


-  This equipment is dangerous to children and persons unfamiliar with its operation. The operator should be a responsible adult familiar with farm machinery and trained in this equipment's operations. **Do not allow persons to operate or assemble this unit until they have read this manual and have developed a thorough understanding of the safety precautions and of how it works.**


-  Never use alcoholic beverages or drugs which can hinder alertness or coordination while operating this equipment. Consult your doctor about operating this machine while taking prescription medications.


-  Replace any CAUTION, WARNING, DANGER or instruction safety sign that is not readable or is missing. Location of such safety signs is indicated in this booklet. Do not paint over, remove or deface any safety signs or warning signs on your equipment. Observe all safety signs and practice the instruction on them.

-  Only use a power unit equipped with a ROPS cab or rollover protective structure. Keep foldable ROPS systems in "locked up" position at all times. Keep seat belt fastened.

-  Never exceed the limits of a piece of machinery. If its ability to do a job, or to do so safely, is in question – **DON'T TRY IT.**

-  Do not modify the equipment in any way. Unauthorized modification may impair the function and/or safety and could affect the life of the equipment.

-  Know your controls and how to stop skid steer, tractor, engine, and loader quickly in an emergency. Read this manual and the one provided with your tractor or skid steer.

-  In addition to the design and configuration of this implement, including Safety Signs and Safety Equipment, hazard control and accident prevention are dependent upon the awareness, concern, prudence, and proper training of personnel involved in the operation, transport, maintenance, and storage of the machine. Refer also to Safety Messages and Operation Instructions in each of the appropriate sections of the Tractor, Skid Steer, and Implement Manuals. Pay close attention to the Safety Signs affixed to the Tractor, Skid Steer, and the Implement.

SAFETY INSTRUCTIONS (continued)



OPERATIONAL SAFETY



Start power unit only when properly seated in the operator's seat. Starting a power unit in gear can result in injury or death. Do not mount or dismount while the power unit is moving. Mount or dismount the power unit only when all moving parts are completely stopped.



Operate the power unit and/or implement controls only while properly seated in the operator's seat with the seat belt securely fastened around you. Inadvertent movement of the power unit or implement may cause serious injury or death.



Keep all helpers and bystanders twenty-five feet (25') from an operating power unit and attached equipment. Only properly trained people should operate this machine. It is recommended the tractor be equipped with a Rollover Protection System (ROPS) and a seat belt that is used. Always stop the tractor, skid steer, or forklift, set brake, shut off the engine, remove the ignition key, and lower loader and attachment to the ground before dismounting. Never leave equipment unattended with the engine running.



Never permit any person other than the operator to ride or board the tractor or implement at any time. **ALLOW NO RIDERS!**



Do not allow children to operate this machine.



Be sure power unit is in good condition. Read all the safety precautions and make sure all operators are familiar with the safety rules of operation.



Never leave the power unit and implement unattended while the implement is in the lifted position. Accidental operation of lifting lever or a hydraulic failure may cause sudden drop of unit with injury or death by crushing.



Never allow children to play on or around tractor or implement. Children can slip or fall off the equipment and be injured or killed. Inadvertent contact with controls can cause the implement to shift or fall crushing themselves or others.



Always use two people to handle heavy, unwieldy components during assembly, installation, removal, or moving the loader attachment.



Never place any part of your body where it would be in danger if movement should occur during assembly, installation, operation, maintaining, repairing, removal, or moving the implement.





A heavy load can cause instability in driving a power unit. Make sure the front or rear of the power unit is properly counter-balanced with weights. Always drive slowly – especially around turns. An unstable power unit could steer badly and possibly tip over, causing injury or death.


SAFETY INSTRUCTIONS (continued)





OPERATIONAL SAFETY


-  Operate hydraulic controls from operator's seat only. Remain at controls until operating cycle is complete.


-  Most accidents occur because of neglect or carelessness. Keep all helpers and bystanders at a safe distance. **REMEMBER FALLING BALES CAN ROLL OR TUMBLE.**


-  Always insert spears into the bale securely. Failure to insert spears into bale can allow bale to roll in an uncontrolled direction.


-  Do not handle bales that exceed the bale weight limitations of the implement. Watch for bales that are frozen to the ground.


-  Carry the bale slowly and as low as possible to the ground.


-  Never use alcoholic beverages or drugs which can hinder alertness or coordination while operating this equipment. Consult your doctor about operating this machine while taking prescription medications.


-  Never use the tractor or implement to stop a rolling bale.


-  Do not modify the equipment in any way. Unauthorized modification may impair the function and/or safety and could affect the life of the equipment.

-  When stacking bales, **ALWAYS MAKE SURE BALES ARE PLACED SO THE STACK IS STABLE.**

-  Always load rear of tractor first and unload last when using a front loader.

-  Beware of lift clearance when raising loader or implement to maximum height.

-  Keep alert and watch the rear as well as the front when working with attached implements.

-  When maneuvering close to buildings or passing through narrow areas, be sure to allow sufficient clearance for the tractor, implement, and bale. Drive slowly.

SAFETY INSTRUCTIONS (continued)



OPERATIONAL SAFETY (continued)



Stop loader gradually when lowering or lifting loads. Operate the hydraulic controls smoothly, avoiding jerky operation.



Allow for additional length of implement and bale on tractor while turning.



Never allow anyone to walk or work under a raised implement.



Be sure that people, livestock, or pets are not standing near the machine while operating.



Do not use implement for a work platform. Do not lift or carry anyone on attachment.



Set wheels wide for increased stability.



ALWAYS lower implement to the ground or block securely before performing any maintenance work.



Stay alert for holes, rocks and roots in the terrain and other hidden hazards. Keep away from drop-offs.



Use extreme care and maintain minimum ground speed when transporting on hillside, over rough ground and when operating close to ditches or fences. Be careful when turning sharp corners.



Reduce speed on slopes and sharp turns to minimize tipping or loss of control. Be careful when changing directions on slopes. Do not start or stop suddenly on slopes. Avoid operation on steep slopes.



When using a unit, a minimum 20% of tractor and equipment weight must be on tractor front wheels. Without this weight, tractor could tip over, causing personal injury or death. The weight may be attained with a front end loader, front wheel weights, ballast in tires of front tractor weights. When attaining a minimum 20% of tractor and equipment weight on the front wheels, you must not exceed the ROPS weight certification. Weigh the tractor and equipment. Do not guess or estimate!



Avoid excessive speed during operation.



ALWAYS lower spear points to the ground when parking tractor. Raised spear points could cause injury to people or livestock.



Always shut off tractor and shift to "Park" or set brakes when leaving tractor. Always lower bucket or attachment to ground. Remove key when leaving tractor unattended.



















Before operating equipment: if you have any questions regarding the proper assembly or operation, contact your dealer or representative.

SAFETY INSTRUCTIONS (continued)



TRANSPORT SAFETY

-  Comply with state and local laws governing highway safety and movement of farm machinery on public roads.
-  The use of flashing amber lights is acceptable in most localities. However, some localities prohibit their use. Local laws should be checked for all highway lighting and marking requirements.
-  When driving the tractor and equipment on the road or highway under 20 mph (32 kph) at night or during the day, use flashing amber warning lights and a slow moving vehicle (SMV) identification emblem.
-  Always be sure the implement is in the proper raised position for transport.
-  Reduce speed when transporting mounted implements to avoid bouncing and momentary loss of steering control.
-  Plan your route to avoid heavy traffic.
-  Make sure large round bales transported on tractor rear 3 pt. hitch do not obstruct visibility of tractor's flashing lights or SMV sign.
-  When transporting large round bales, keep load as low as practical to maximize tractor stability.
-  Transporting large round bales on front loaders can limit visibility. Keep load low and go slow if visibility is obstructed. Always use extra care.
-  Do not exceed 20 mph (32 kph). Reduce speed on rough roads and surfaces.
-  Do not drink and drive!
-  Watch for traffic when operating near or crossing roadways.
-  Turn curves or go up or down hills only at a low speed and at a gradual steering angle. Make certain that at least 20% of the tractor's weight is on the front wheels to maintain safe steerage. Slow down on rough or uneven surfaces, and loose gravel.
-  Use extreme care and maintain minimum ground speed when transporting on hillside, over rough ground and when operating close to ditches or fences. Be careful when turning sharp corners.
-  Never allow riders on either tractor or implement. Falling off can kill.
-  Be a safe and courteous driver. Always yield to oncoming traffic in all situations, including narrow bridges, inter-sections, etc.

SAFETY INSTRUCTIONS (continued)



MAINTENANCE SAFETY

Good maintenance is your responsibility. Poor maintenance is an invitation to trouble.



Before working on this machine, drive to a level area, disengage the PTO, lower implement (or if working underneath, raise and block securely), shut off the engine, set the brakes, and remove the ignition keys.



Be certain all moving parts on attachments have come to a complete stop before attempting to perform maintenance.



Never work under equipment unless it is blocked securely. Never depend on hydraulic system to keep implement in raised position.



Keep all persons away from operator control area while performing adjustments, service, or maintenance.



Always use personal protection devices such as eye, hand and hearing protectors, when performing any service or maintenance.



Periodically tighten all bolts, nuts and screws and check that all cotter pins are properly installed to ensure unit is in a safe condition.



When completing a maintenance or service function, make sure all safety shields and devices are installed before placing unit in service.



Never use your hands to locate a hydraulic leak on attachments. Use a small piece of cardboard or wood. Hydraulic fluid escaping under pressure can penetrate the skin.



Openings in the skin and minor cuts are susceptible to infection from hydraulic fluid. If injured by escaping hydraulic fluid, see a doctor at once. Gangrene and death can result. Without immediate medical treatment, serious infection and reactions can occur.



A fire extinguisher and first aid kit should be kept readily accessible while performing maintenance on this equipment.






Where replacement parts are necessary for periodic maintenance and servicing, genuine factory replacement parts must be used to restore your equipment to original specifications. The manufacturer will not claim responsibility for use of unapproved parts and/or accessories and other damages as a result of their use.

If equipment has been altered in any way from original design, the manufacturer does not accept any liability for injury or warranty.

SAFETY INSTRUCTIONS (continued)



STORAGE SAFETY

-  Following operation or when unhooking, stop the tractor, set the brakes, disengage the PTO, lower the attachment, shut off the engine and remove the ignition keys.
-  Store the unit in an area away from human activity. Do not permit children to play on or around the stored unit.
-  Do not park equipment where it will be exposed to livestock for long periods of time. Damage and livestock injury could result.
-  Make sure all parked machines are on a hard, level surface and engage all safety devices.
-  If blocking is used, make sure it is solid and secure before leaving area.

In addition to the design and configuration of this implement, including Safety Signs and Safety Equipment, hazard control and accident prevention are dependent upon the awareness, concern, prudence, and proper training of personnel involved in the operation, transport, maintenance, and storage of the machine. Refer also to Safety Messages and Operation Instructions in each of the appropriate sections of the Tractor and Implement Manuals. Pay close attention to the Safety Signs affixed to the Tractor and the Implement.



SAFETY SIGNS

Keep safety signs clean and legible at all times.

Replace safety signs that are missing or have become illegible.

Replaced parts that displayed a safety sign should also display the current sign.

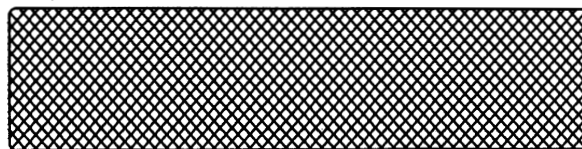
Safety signs are available from your Distributor or Dealer Parts Department or the factory.

SAFETY SIGNS

WARNING

- Read and follow owner's manual before installing, operating, or performing maintenance on this attachment. Observe safety recommendations in manual.
- Do not exceed weight limit of attachment or tractor.
- Do not lift or carry anyone on attachment.
- Attachment should be used with the proper weight package on front of tractor or with a loader installed. When handling loads on both ends of tractor, load rear first and unload last.
- Set wheels wide for increased stability.
- Never raise load to extreme heights on steep inclines.
- When handling large round bale, keep load as low as practical to maximize tractor stability.
- Make sure large round bale transported on tractor rear three point hitch attachment does not obstruct visibility of tractor's flashing lights or SMV sign.
- Do not stand or work under raised attachment.
- Stop engine, lower arms, relieve all hydraulic pressure, and lock brakes before leaving operator's seat.
- Failure to observe the above precautions can result in serious injury or death.

101277



AMBER
(DBH-449 only - front) #101261
RED REFLECTOR
(DBH-449 & DBH-6000 only - rear) #101260

REPLACING SAFETY SIGNS

1. Clean the area of application with nonflammable solvent.
2. Wash the same area with soap and water.
3. Allow the surface to fully dry.
4. Remove the backing from the safety sign exposing the adhesive surface.
5. Apply the safety sign to the location shown in the parts diagram.
6. Smooth out any bubbles.

Helpful Hints: (1) Decals adhere to a warm surface better than a cold surface. (2) Applying heat (from a hair dryer) will greatly improve your ability to remove a damaged decal before preparing the surface for installation of a new one.

BE CAREFUL!

Use a clean, damp cloth to clean safety decals. Avoid spraying too close to decals when using a pressure washer; high-pressure water can enter through very small scratches or under edges of decals causing them to peel or come off.

REMEMBER:

If Safety Signs have been damaged, removed, become illegible or parts replaced without Signs, new Safety Signs must be applied. New Safety Signs are available from your authorized distributor or factory.

INSTRUCTIONS

INTRODUCTION

Rear 3 pt. hitch mounted bale spears are designed, depending on model, to handle up to 3,000 lb. bales. All models feature a tapered “forged” spring steel spear designed for tight center bales allowing easier spear penetration into and withdrawal from bales.

The models BSF-1523, HS-2200, and HS-3000 will handle one round bale. The model HS-330 handles mid-size square bales and the model DBH-449 and DBH-6000 handles two round bales at the same time.

NOTE: The maximum load for the attachments is as follows:

<u>MODEL</u>	<u>HITCH</u>	<u>CAPACITY</u>
BSF-1523	Cat. I/II	1,800 lbs.
HS-2200	Cat. I/II*	2,200 lbs.
HS-3000	Cat. I/II*	3,000 lbs.
HS-330	Cat. II/III*	3,000 lbs.
DBH-449	Cat. II/III*	4,000 lbs.
DBH-6000	Cat. II/III*	6,000 lbs.

**Will also fit ASAE Quick Hitch.*

TRACTOR REQUIREMENTS AND PREPARATION

The required size of the tractor will be determined by the size and weight of the bales to be handled.

Remember, high moisture hay (silage) bales are very heavy in relation to similar size dry hay bales.

Always use a tractor large enough to safely handle your bales.

Check the tractor’s 3 point hydraulic lift system. It should operate up and down smoothly and hold its position when set. Refer to your tractor owner’s manual or dealer for any adjustments necessary to put the 3 point hydraulic lift system in good working order. (I&T shop manuals will list most specifications and adjustment instructions – available from most farm equipment dealers.)

Tractor should be equipped with stabilizer bars, adjustable sway chains, or sway blocks to keep the implement from swinging side to side.

Smaller size tractors may need front counter weights to counter-balance the weight of the implement and bale.

The tractor should be equipped with a Rollover Protection System (ROPS) and a seat belt that is used.

WARNING

Power unit must be equipped with ROPS or ROPS cab and seat belt. Keep seat belt securely fastened. Falling off power unit can result in death from being run over or crushed. Keep foldable ROPS systems in “locked up” position at all times.

WARNING

When using the unit, a minimum 20% of tractor and equipment weight must be on tractor front wheels. Without this weight, tractor could tip up, causing possible loss of control and possible personal injury or death. The weight may be attained with a front end loader, front wheel weights, ballast in tires or front tractor weights. When attaining a minimum 20% of tractor and equipment weight on the front wheels, you must not exceed the ROPS weight certification. Weigh the tractor and equipment. **DO NOT GUESS OR ESTIMATE!**

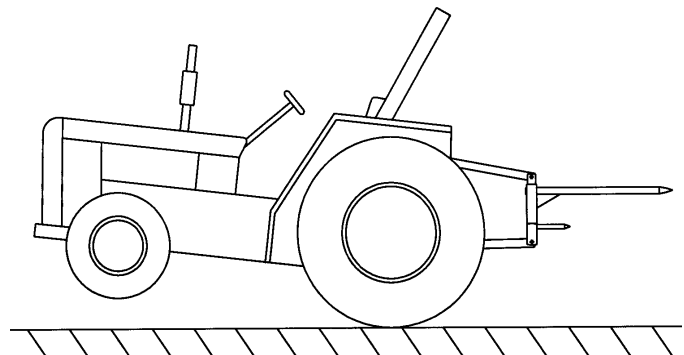


Figure 1. Tractor Stability

WARNING

A heavy load can cause instability in driving a tractor. Make sure the front of the tractor is properly counter-balanced with weights. Always drive slowly – especially around turns. An unstable tractor could steer badly and possibly tip over, causing injury or death.

WARNING

Do not exceed the maximum recommended bale weight listed for each of the spear models. Damage to the equipment or serious personal injury could result.

INSTRUCTIONS (continued)

ASSEMBLY

Read all the instructions before beginning assembly.

Check the exploded view of the 3 pt. bale spear model you have in this manual to get an idea of the relationship between the parts.

MODEL: BSF-1523

Install the long forged main spear into the socket in the main frame.

The threads and nut are metric – be sure correct tools are used.

Locate the lift pins for your hitch and tighten securely.

MODELS: HS-2200, HS-3000

Install the frame on the tractor 3 pt. hitch.

Locate the lift pins for your hitch and tighten securely. Lift pins go to the inside for Cat. I and to the outside for Cat. II. Use bushings (not supplied) to make pins 1/8" diameter for Cat. II.

Install the long forged main spear into the socket(s) on the main frame. Secure with the 1/2" x 3" bolts(s).

The model HS-3000 has two forged spears for the bale. This allows the handling of round bales without the bale turning. Bales can be handled in the same position each time.

MODELS: HS-330, DBH-449, DBH-6000

Install the frame on the tractor 3 pt. hitch (Cat. II/III).

Install the long forged main spear into the socket(s) on the main frame. Secure with the 1/2" x 3" bolts(s).

The models DBH-449 and DBH-6000 have two forged spears for each bale. This allows the handling of round bales without the bale turning. Bales can be handled in the same position each time.

The DBH-6000 has a stronger frame to handle two bales that can weigh up to 6,000 lbs. total.

OPERATION

The operator is responsible for the safe operation of this equipment. The operator must be properly trained. Operators should be familiar with the tractor and attachment, and all safety practices before starting operation. Read the safety rules and safety signs on pages 3-11.



Be sure your tractor is in good condition. Read all the safety precautions and make sure all tractor operators are familiar with the safety rules of operation.

Be sure tractor is properly counterbalanced with weights before attempting to lift any load with the Bale Spear Attachment.

If you are handling bales with both the front end loader and the 3 pt. hitch on the tractor, always load the 3 pt. attachment first and unload last.

With the tractor, push the spear into the large hay bale. Make sure you have penetrated the hay bale far enough so the bale doesn't want to come off the end of the spear. If, when you initially pick the bale up, it tends to droop rearward, this would indicate you have not penetrated the bale far enough.

NOTE: Soft center bales will tend to droop after being lifted by a single spear. Placing the spear in a lower position will allow for more lifting height and lessen the load on the stabilizer spears.

NOTE: Always make sure bale spear fully penetrates the bale. Partial penetration locates all the weight of the bale on the outer end and can damage spear. Not covered under warranty.

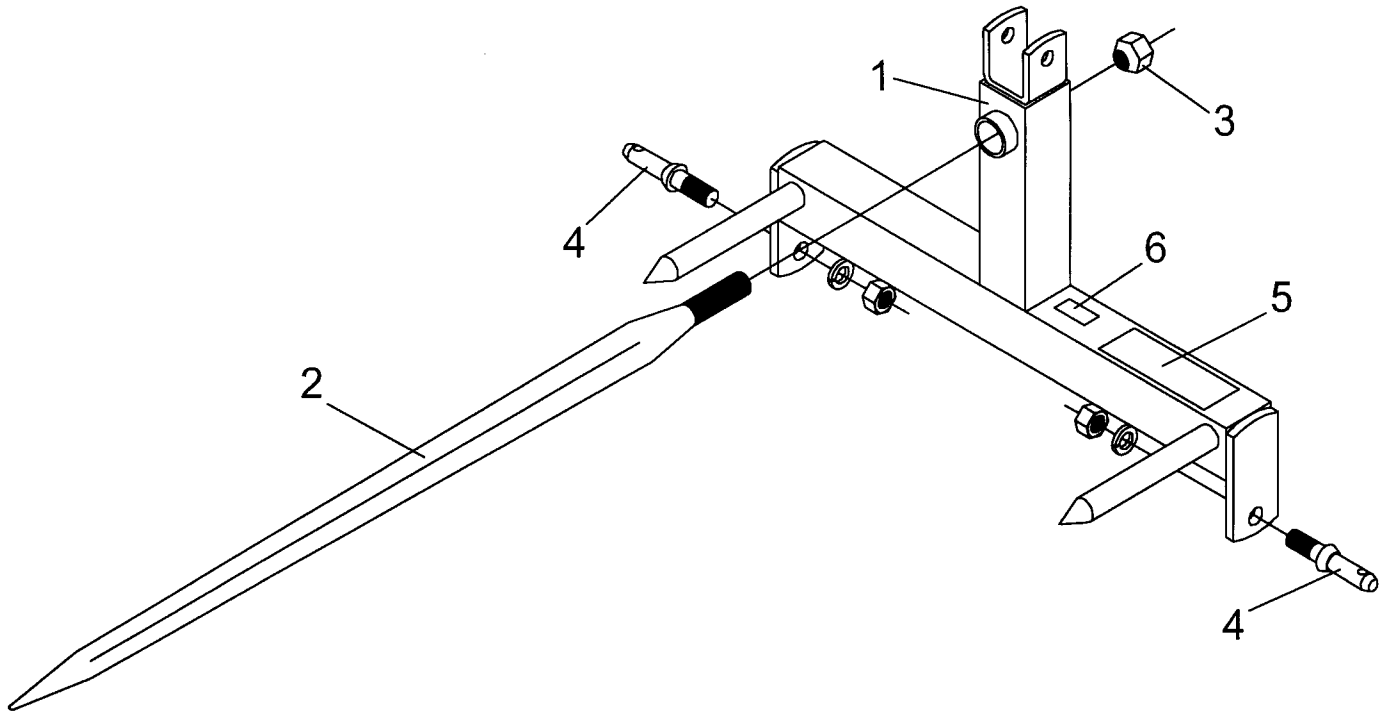
NOTE: In cold weather, a bale frozen to the ground may exceed the lifting capacity of spear. Damage to spear may occur. Not covered under warranty.

MAINTENANCE

Periodically check all bolts and nuts to make sure they are tight.

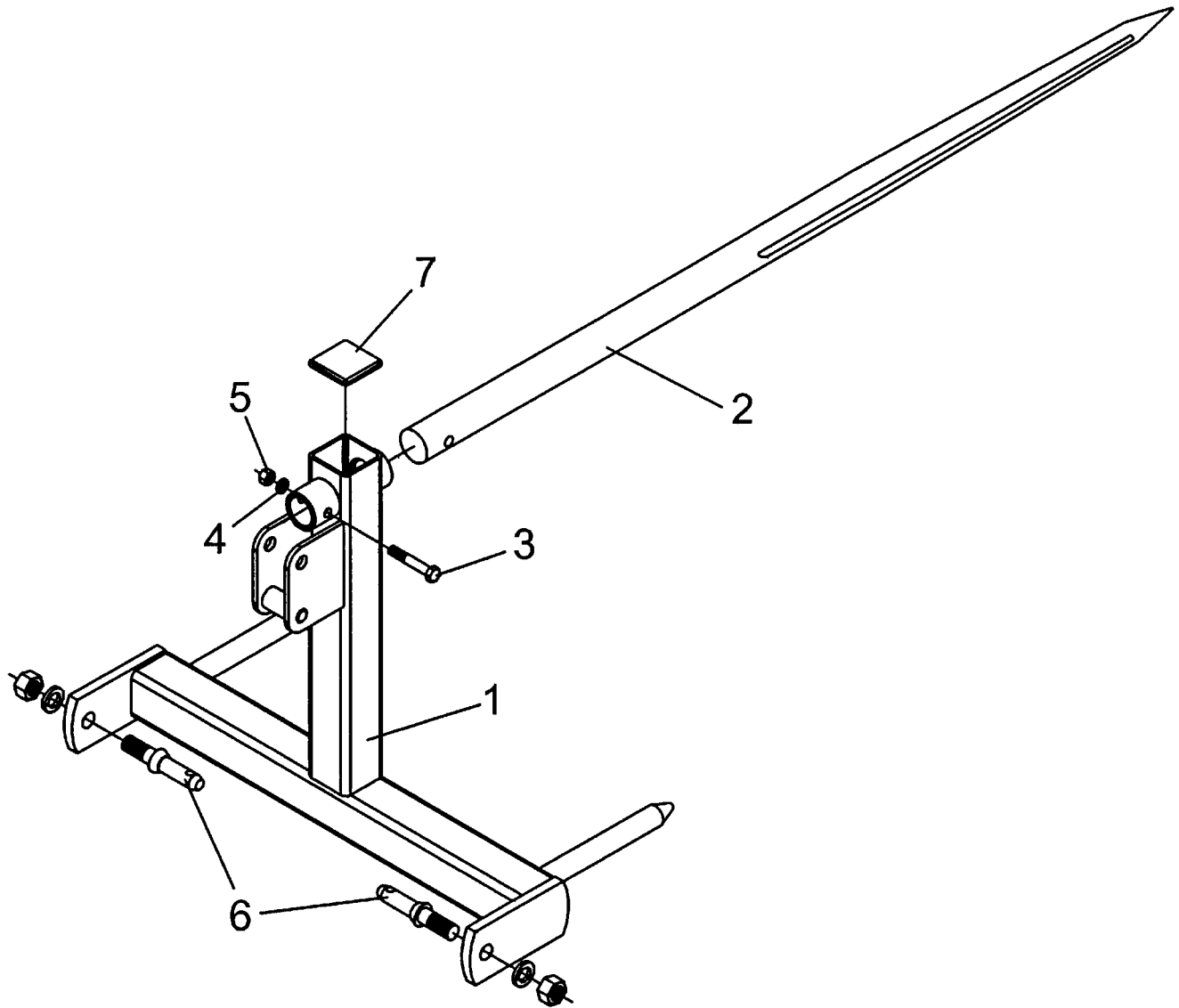
Replace safety signs and instruction decals if damaged or missing.

BSF-1523 PARTS LIST



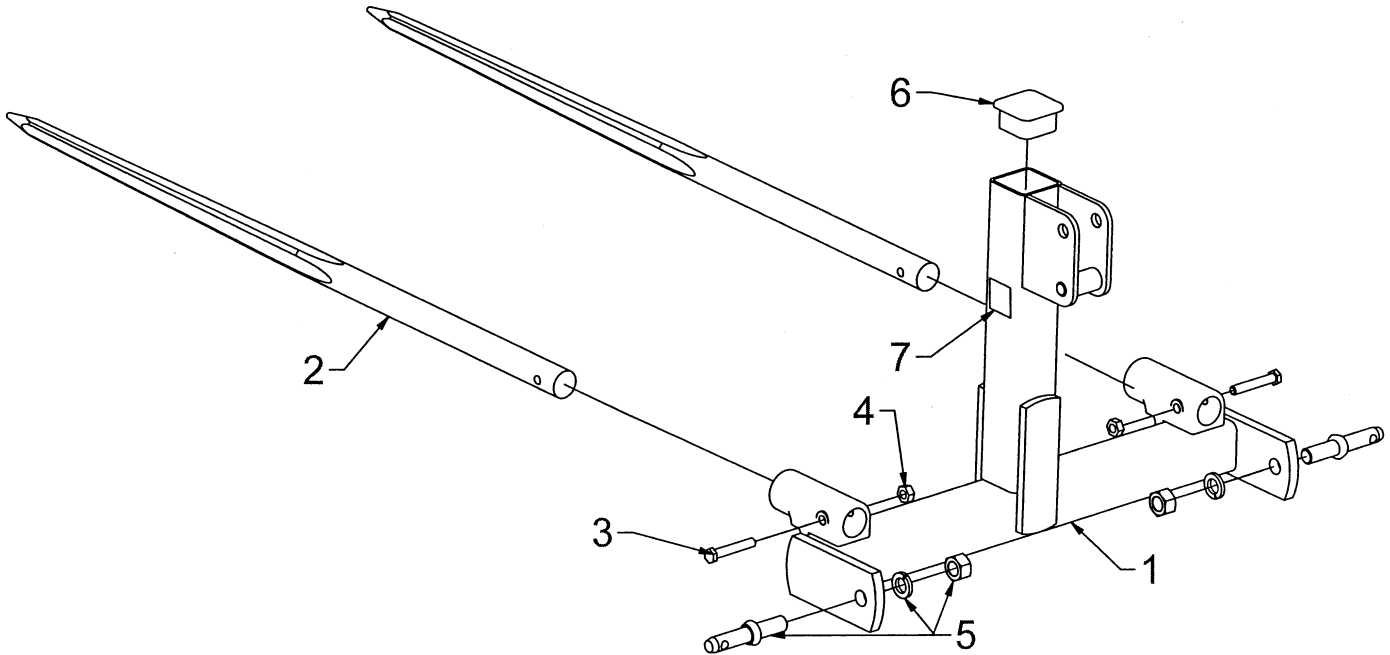
Ref. No.	Part No.	Description	No. Req'd.
1	830236	Main Frame Weldment	1
2	831290	Tine, Hay	1
3	831291	Nut, Tine	1
4	590108	Pin, Lift (AK-578)	2
5	101277	Safety Sign-Caution (Hay Equipment)	1
6	101112	Safety Sign-Notice (1800 Lb. Capacity)	1

HS-2200 PARTS LIST



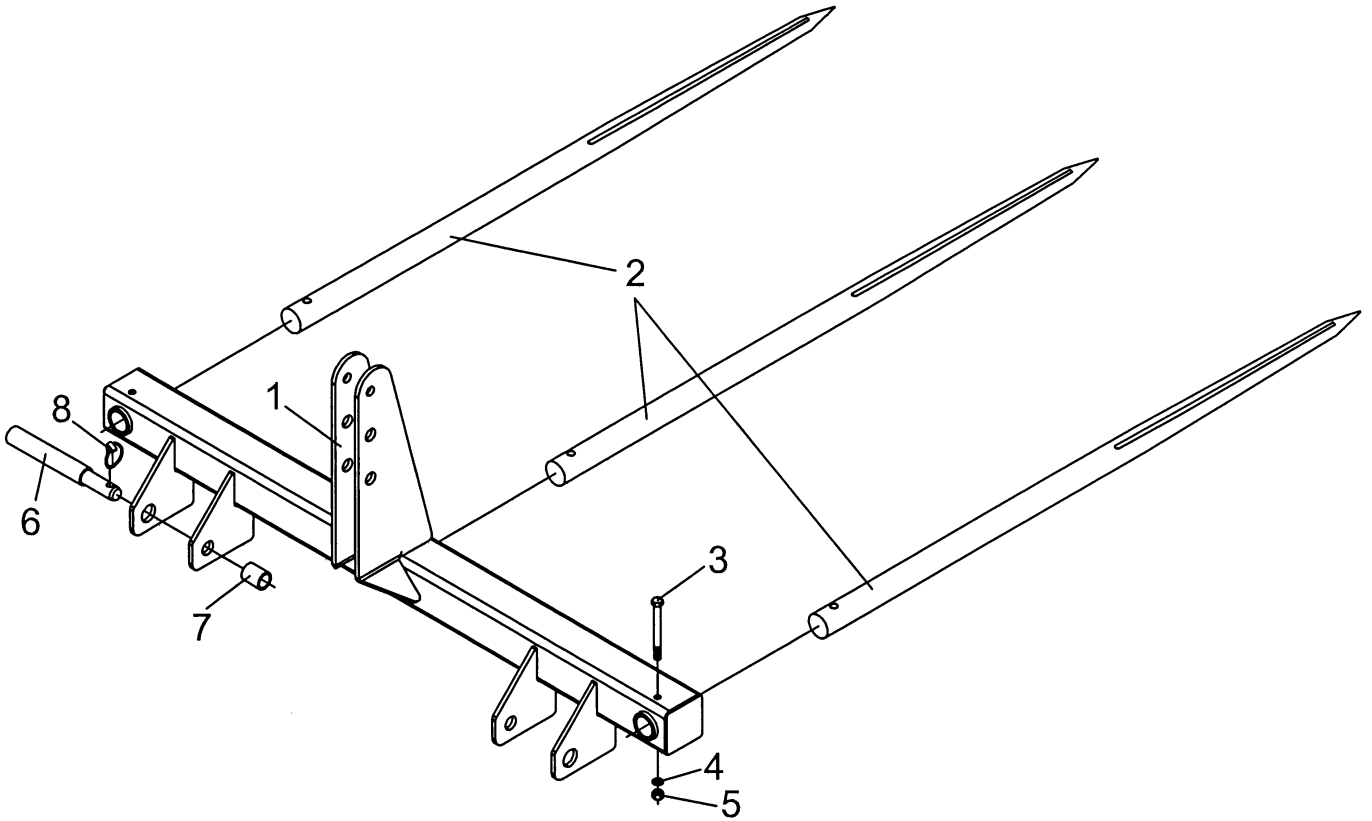
Ref. No.	Part No.	Description	No. Req'd.
1	832561	Main Frame Weldment (HS-2200)	1
2	830928	Spear, Bolt-In	1
3	2503012	Bolt 1/2"-13NC x 3" Hex Head Gr. 2	1
4	2502002	Washer 1/2" Springlock	1
5	2500003	Nut 1/2"-13NC Full Hex	1
6	590108	Draw Pin, Forged (Cat. I)	2
7	2504308	Cap, Plastic (80mm)	1
N/S	101277	Safety Sign - Warning	1
N/S	862500	Optional Lower Sleeves for Quick Hitch (Cat. I/II)(pair)	1
N/S	343058	Optional Toplink Bushing for Quick Hitch (Cat. I/II)	1
N/S	832140	Optional Cat. II Drawpins (pair) 7/8" Thread 1 1/8" Pin	1

HS-3000 PARTS LIST



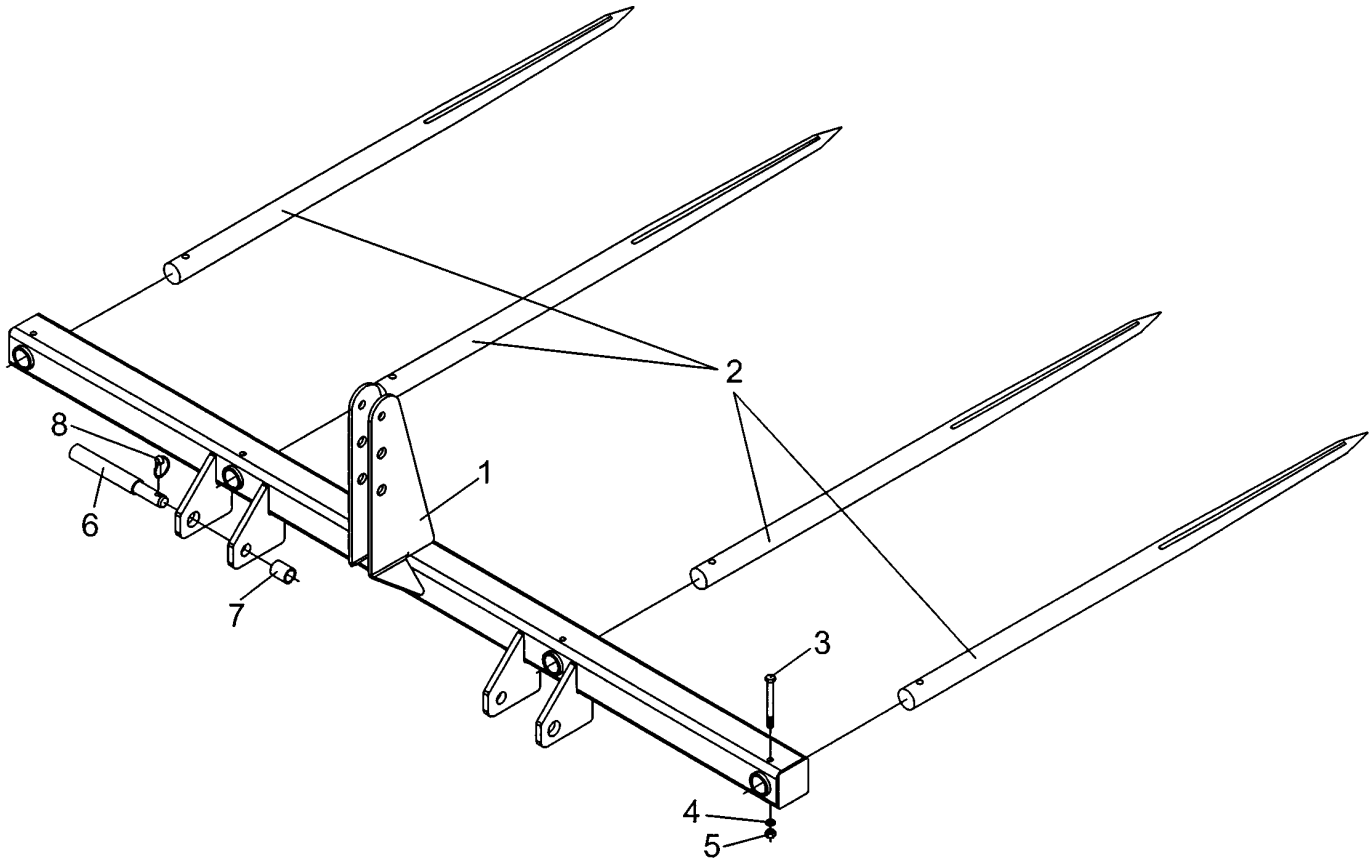
Ref. No.	Part No.	Description	No. Req'd.
1	830766	Main Frame Weldment HS-3000	1
2	830928	Spear, Forged (Bolt in)	2
3	2503151	Bolt, Hex 1/2-13 x 3.00 G5	2
4	2500040	Nut, Whiz Flange 1/2-13NC	2
5	590108	AK-578 Draw Pin	2
6	2504308	Cap, Plastic (80mm)	1
7	101277	Safety Sign - Warning	1

HS-330 PARTS LIST



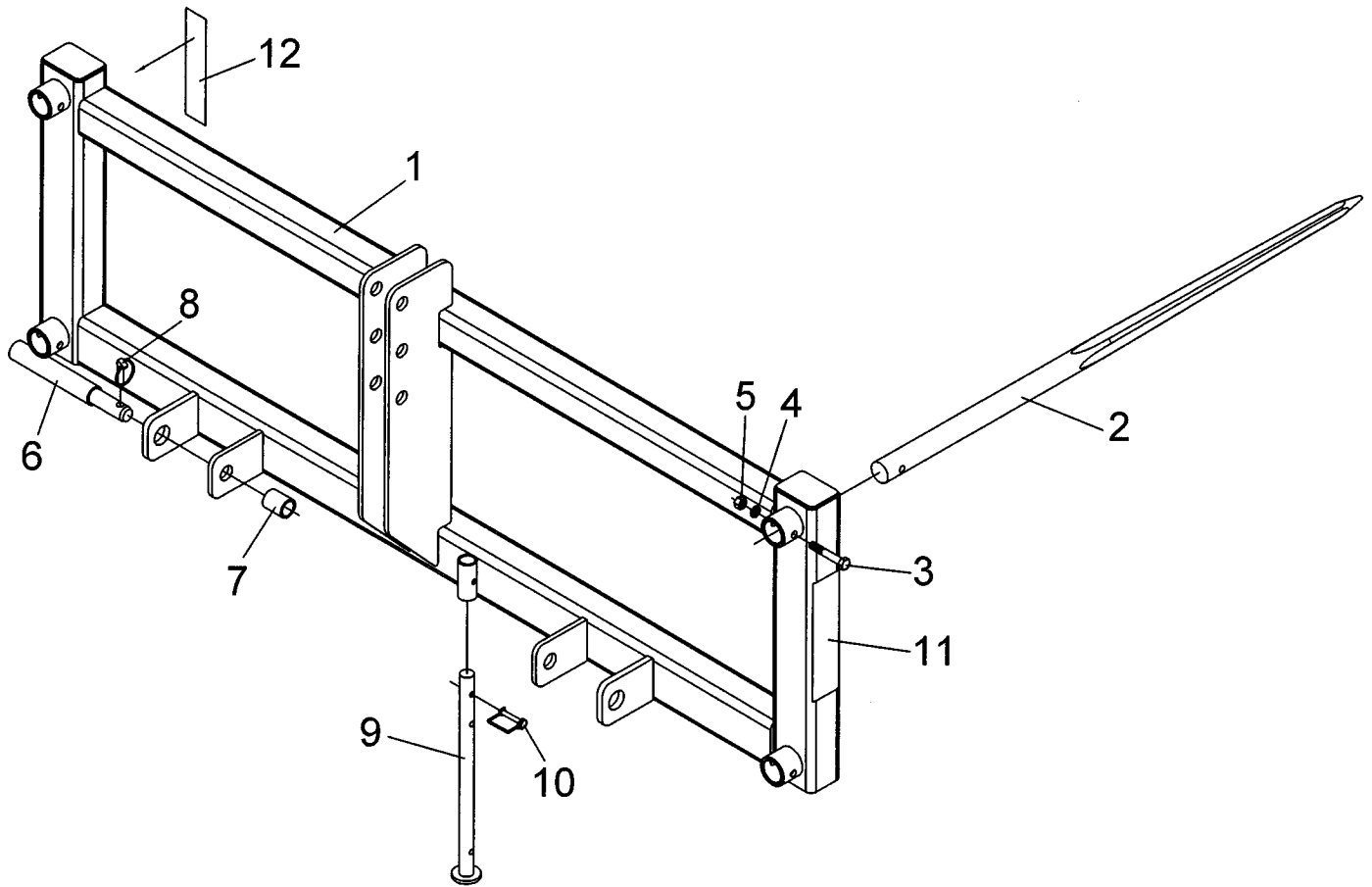
Ref. No.	Part No.	Description	No. Req'd.
1	832581	Main Frame Weldment (HS-330)	1
2	830928	Spear, Bolt-In	3
3	2503112	Bolt 1/2"-13NC x 5" Hex Head Gr. 2	3
4	2502002	Washer 1/2" Springlock	3
5	2500003	Nut 1/2"-13NC Full Hex	3
6	830290	Pin, Hitch	2
7	590126	Lift Arm Bushing	2
8	590006	Linch Pin 7/16"	2
N/S	101277	Safety Sign - Warning	1
N/S	590066	Optional Toplink Bushing (Cat. II/III)	1

DBH-449 PARTS LIST



Ref. No.	Part No.	Description	No. Req'd.
1	832591	Main Frame Weldment (DBH-449)	1
2	830928	Spear, Bolt-In	4
3	2503112	Bolt 1/2"-13NC x 5" Hex Head Gr. 2	4
4	2502002	Washer 1/2" Springlock	4
5	2500003	Nut 1/2"-13NC Full Hex	4
6	830290	Pin, Hitch	2
7	590126	Lift Arm Bushing	2
8	590006	Linch Pin 7/16"	2
N/S	101277	Safety Sign - Warning	1
N/S	101261	Safety Sign - Amber Reflector	1
N/S	101260	Safety Sign - Red Reflector	2
N/S	590066	Optional Toplink Bushing (Cat. II/III)	1

DBH-6000 PARTS LIST



Ref. No.	Part No.	Description	No. Req'd.
1	834165	Main Frame Weldment (DBH-6000)	1
2	830928	Spear, Bolt-In	4
3	2503012	Bolt 1/2"-13NC x 3" Hex Head Gr. 2	4
4	2502002	Washer 1/2" Spring Lock	4
5	2500003	Nut 1/2"-13NC Full Hex	4
6	830290	Pin, Hitch	2
7	590126	Bushing, Lift Arm (AK-58)	2
8	590006	Linch Pin 7/16" (AK-14)	2
9	343430	Stand Rod Weldment	1
10	590194	Lock Pin 5/16" (AK-2907)	1
11	101277	Safety Sign - Warning	1
12	101260	Red Reflective Tape 2" x 9"	2

SAFETY REQUIREMENTS

AVOID ACCIDENTS BY FOLLOWING ALL OF THE SAFETY REQUIREMENTS LISTED BELOW.

- Machinery should be operated only by those who are responsible and are authorized to do so.
- Stop the engine, lower all equipment, lock the brakes, and remove the ignition key before dismounting from the tractor.
- Never stand between tractor and implement while tractor is being backed to hitch.
- Loose fitting clothing should not be worn, to avoid catching on various parts.
- Detach implement in area where children normally do not play.
- When performing adjustments or maintenance on an implement, first lower it to the ground or block it securely at a workable height.
- Only a qualified operator should be permitted on tractor when in operation; no riders allowed.
- Make certain everyone is in the clear before starting tractor or raising or lowering equipment.
- Operate the tractor and implement only while seated in the driver's seat.
- Reduce speed when transporting mounted implements to avoid bouncing and momentary loss of steering control.
- A heavy load can cause instability of the tractor. Use extreme care during road travel. Slow down on turns and watch out for bumps. Tractor may need front counterweights to counter-balance the weight of the implement.
- Reduce speed on hillsides or curves so there is no danger of tipping.
- Avoid driving too close to the edge of ditches or creeks.
- Do not transport implement on public roads without reflectors and slow moving vehicle emblem in daylight and with approved warning lights at night and other periods of poor visibility.
- Due to the width of some implements, use extra caution on highways, farm roads, and when approaching gates.
- Always be sure the implement is in the proper position for transport.
- Keep alert and watch the front as well as the rear when working with the implement.

OWNER'S/ OPERATOR'S MANUAL

MODEL NO.'s

BSF-1523

HS-2200

HS-3000

HS-330

DBH-449

DBH-6000

SI NO LEEINGLES, PIDA AYUDA
A AIGUIEN QUE SI LO LEA
PARA QUE LE TRADUZCA LAS
MEDIDAS DE SEGURIDAD.

JUNE 2015

3 PT. HITCH BALE SPEAR ATTACHMENTS

WHEN ORDERING REPAIR PARTS,
ALWAYS GIVE THE FOLLOWING INFORMATION:

1. PART NUMBER
2. PART DESCRIPTION
3. MODEL NUMBER
4. NAME OF ITEM

**MAKE EVERY DAY
A HOLIDAY
FROM ACCIDENTS!**

WORKSAVER, INC.

P.O. BOX 100 LITCHFIELD, IL 62056-0100 (217) 324-5973
WEB: <http://www.worksaver.com> E-MAIL: sales@worksaver.com