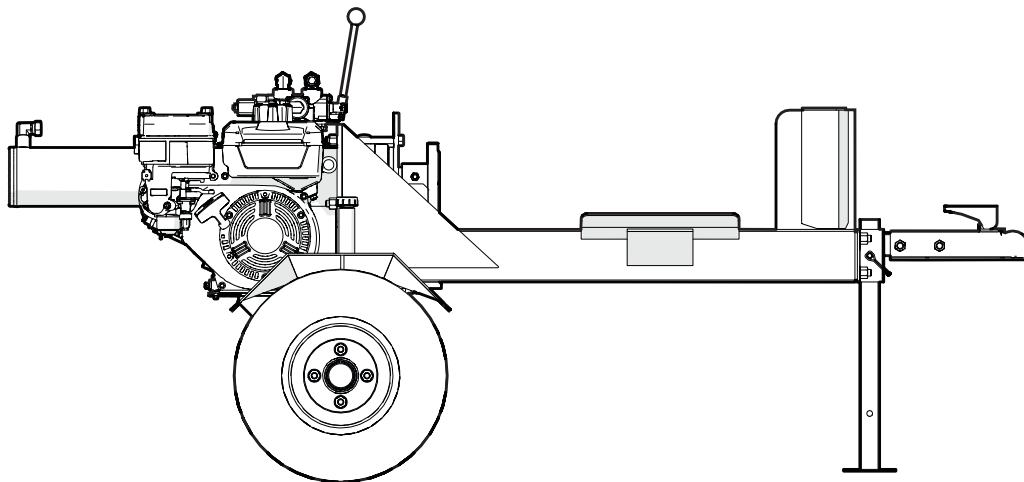


OPERATOR'S MANUAL

Serial numbers 100252 and up

WX520 / WX520L / WX520T **Log Splitter**



Rev Feb-2023

Part Number: Z97135_En

WALLENSTEIN

Table of Contents

1. Introduction	3	7. Transport	26
1.1 Foreword.....	3	7.1 Transport Safety	26
1.2 Delivery Inspection Report	4	7.2 Prepare for Transport.....	26
1.3 Serial Number Location.....	5	7.3 Connect to a Tow Vehicle	26
1.4 Decal Information	6	8. Storage	27
2. Safety	7	8.1 Place the Machine in Storage.....	27
2.1 Safety Alert Symbol	7	8.2 Remove the Machine from Storage	27
2.2 Signal Words	7	9. Service and Maintenance	28
2.3 Why Safety is Important.....	8	9.1 Maintenance Safety	28
2.4 Safety Rules	8	9.2 Fluids and Lubricants.....	28
2.5 Equipment Safety Guidelines	9	9.3 Maintenance Schedule.....	29
2.6 Safety Training.....	9	9.4 Grease Points	30
2.7 Refueling Safety.....	9	9.5 Change the Hydraulic Fluid.....	31
2.8 Tire Safety	9	9.6 Change the Hydraulic Fluid Filter	31
2.9 Hydraulic System Safety	9	9.7 Engine Air Filter.....	32
2.10 Engine Safety	10	9.8 Electrical System	32
2.11 Being Prepared	11	10. Troubleshooting	33
2.12 Sign-Off Form.....	12	11. Specifications	34
3. Safety Signs	13	11.1 Machine Specifications	34
3.1 Safety Sign Locations	13	11.2 Common Bolt Torque Values.....	35
3.2 Safety Sign Explanations	14	11.3 Hydraulic Fitting Torque	36
4. Familiarization	15	11.4 Wheel Lug Torque.....	36
4.1 To the New Operator.....	15	12. Product Warranty	37
4.2 Machine Components.....	16	13. Index	38
5. Controls	17		
5.1 Engine Controls	17		
5.2 Splitter Control.....	18		
5.3 Stroke Limiter Accessory	19		
6. Operating Instructions	20		
6.1 Operating Safety	20		
6.2 Before Starting the Engine.....	20		
6.3 Pre-operation Checklist.....	21		
6.4 Machine Break-In.....	21		
6.5 Check the Engine Oil Level	22		
6.6 Add Oil to the Engine.....	22		
6.7 Check the Hydraulic Fluid Level	23		
6.8 Check the Fuel Level	23		
6.9 Machine Setup.....	24		
6.10 Start the Machine.....	24		
6.11 Stop the machine.....	24		
6.12 Log Placement.....	25		
6.13 Split Wood.....	25		

1. Introduction

WARNING!

Do not attempt to start or operate the machine before you read this manual thoroughly. Make sure that you understand how to operate the machine correctly and safely before you use it.

Keep this manual with the machine at all times.

W034

Wallenstein Equipment Inc. • © 2023. All rights reserved.

No part of this work may be copied, reproduced, replaced, distributed, published, displayed, modified, or transferred in any form or by any means except with the prior permission of Wallenstein Equipment Inc.

Review all safety, operation and maintenance information contained in this manual.

1.1 Foreword

Congratulations on your choice of a Wallenstein WX520 Log Splitter!

This high-quality machine is designed and manufactured to meet the needs of an efficient wood splitting operation.

This manual covers the Wallenstein 20-ton WX520 trailer log splitters. The WX520 models are horizontal splitting only.

Models Covered in this Manual

- **WX520**
- **WX520L** (stop, turn signal, tail lights)
- **WX520T** (tall frame)

Information that is specific to a model is noted. Otherwise, the information in this manual applies to all of the listed models.

Units of measurement in Wallenstein Equipment technical manuals are written as:
US Customary (SI metric).

Keep this manual handy for frequent reference and to pass on to new operators or owners. Call your Wallenstein dealer or distributor if you need assistance, information or additional copies of the manuals.



1.2 Delivery Inspection Report

Wallenstein WX520, WX520L, and WX520T Log Splitter

To register your product and start the warranty, go to WallensteinEquipment.com.

This form must be completed by the dealer at the time of delivery, and then signed by the dealer and customer.

I received the product manuals and was thoroughly instructed about the care, adjustments, safe operation, and applicable warranty policy.

I thoroughly instructed the customer about the equipment care, adjustments, safe operation, and applicable warranty policy, and reviewed the manuals with them.

Customer
Address
City, State/Province, ZIP/Postal Code
()
Phone Number
Contact Name
Model
Serial Number
Delivery date

Dealer
Address
City, State/Province, ZIP/Postal Code
()
Phone Number

Dealer Inspection Checklist

- _____ All support stands move freely.
- _____ Machine controls function correctly.
- _____ Splitter frame is securely attached to the quick-attach plate.
- _____ All fasteners are tightened to the correct torque.
- _____ All grease points are lubricated.
- _____ Purchased accessories are included, if applicable.
- _____ Operator's Manual is in the storage tube.
- _____ Hydraulic system and cylinders function correctly.
- _____ Hydraulic controls move freely.
- _____ Hydraulic fluid reservoir level is correct.
- _____ Hydraulic connections are tight, and hoses and fittings are in good condition.
- _____ There are no hydraulic leaks.
- _____ Engine starts and runs, and fluid levels are correct.

- _____ Tire pressure is correct (see the tire sidewall).
- _____ Tires are in good condition.

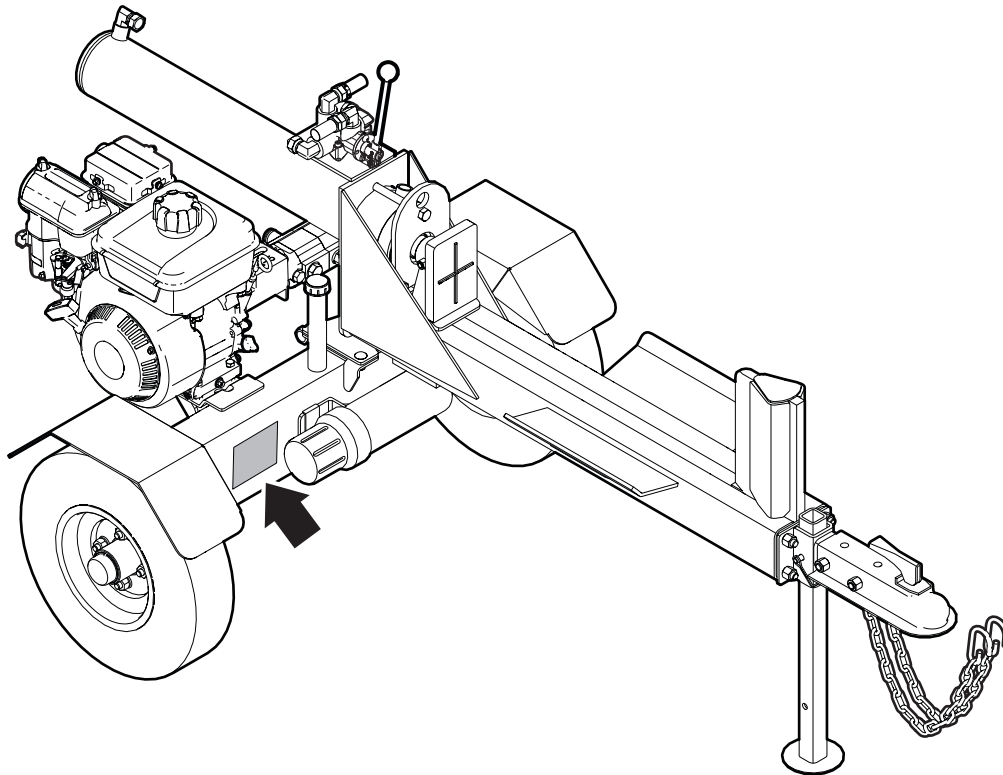
Safety Checks

- _____ All safety sign decals are applied and legible.
- _____ All guards, shields, and covers are installed and secure.
- _____ Wheel lug nuts are tightened to the correct torque.
- _____ A retainer is installed through each hitch point.
- _____ Safety chains are on the ball-mount hitch.
- _____ Rear reflectors are present and not damaged.
- _____ Operating and safety instructions were reviewed.
- _____ All lights operate correctly (for example; running, brake, turn signal, license plate)..

1.3 Serial Number Location

Always provide the model and serial number of your Wallenstein product when ordering parts, or requesting service or other information. The product information plate location is shown in the illustration.

For future convenience, record the product model and serial number in the spaces provided below.

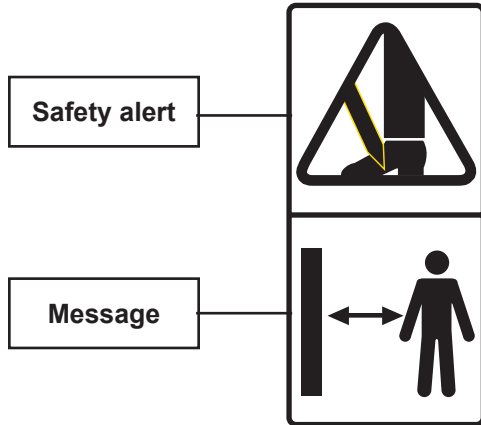


Record the model and serial number of your product here:	
Model:	
Serial Number:	

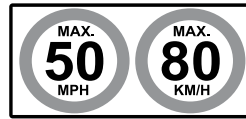
1.4 Decal Information

When getting familiar with the Wallenstein product, notice that there are numerous decals located on the machine. There are different types of decals for safety, information, and product identification. The following section explains what they are for and how to read them.

Safety Decals are pictorial with a yellow background and generally two panel. The top panel shows the safety alert (the potential hazard) and the bottom panel shows the message (how to avoid the hazard).



Informative Decals are generally pictorial with a white background and can vary in the number of panels. This type of decal provides additional information to the operator or explains the operation of a control.



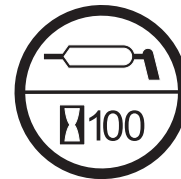
Product Decals indicate machine model and serial number, and other important information.



Safety Notice Decals are pictorial with a blue background and generally rectangular with single or multiple symbols. This decal informs what Personal Protective Equipment is required for safe operation.



Maintenance Decals have a green background and can vary to the number of panels. This decal shows a type maintenance required and frequency interval.



For an illustration that shows all the decals and decal locations, go to WallensteinEquipment.com and download the Parts Manual for your Wallenstein product.

2. Safety

2.1 Safety Alert Symbol

This Safety Alert Symbol means:

ATTENTION! BE ALERT!

YOUR SAFETY IS INVOLVED!

The **Safety Alert Symbol** identifies important safety messages on the Wallenstein log splitter and in the manual. When you see this symbol, be alert to the possibility of personal injury or death. Follow the instructions in the safety message.



2.2 Signal Words

The signal words **DANGER**, **WARNING** and **CAUTION** determine the seriousness level of the warning messages in this manual. The appropriate signal word for each message in this manual has been selected using the following guidelines:

DANGER –

Indicates an imminently hazardous situation that, if not avoided, **will** result in death or serious injury. This signal word is to be limited to the most extreme situations typically for machine components which, for functional purposes, cannot be guarded.

WARNING –

Indicates a potentially hazardous situation that, if not avoided, **could** result in death or serious injury, and includes hazards that are exposed when guards are removed. It may also be used to alert against unsafe practices.

CAUTION –

Indicates a potentially hazardous situation that, if not avoided, **may** result in minor or moderate injury. It may also be used to alert against unsafe practices.

IMPORTANT – To avoid confusing equipment protection with

personal safety messages, a signal word **IMPORTANT** indicates a situation that if not avoided, could result in damage to the machine.



NOTE:

(plus text) – indicates an additional explanation for an element of information.

2.3 Why Safety is Important




- **Accidents Disable and Kill**
- **Accidents Cost**
- **Accidents Can Be Avoided**

YOU are responsible for the SAFE operation and maintenance of your Wallenstein product. **YOU** must make sure that you and anyone else who is going to use, maintain, or work around the machine is familiar with the operating and maintenance procedures and related **SAFETY** information contained in this manual. This manual provides good safety practices that should be followed while using this machine.

Remember, **YOU** are the key to safety. Good safety practices not only protect you but also the people around you. Make these practices a working part of your safety program. Make sure that **EVERYONE** who uses this machine is familiar with the recommended operating and maintenance procedures and complies with all the safety precautions. Most accidents can be prevented.

Do not risk injury or death by ignoring good safety practices.

2.4 Safety Rules

- **DO** give operating instructions to operators or employees before allowing them to operate the machine, and **REVIEW** annually thereafter.
- **DO** read and understand ALL Safety and Operating instructions in the manual and follow them. The most important safety device on this equipment is a SAFE operator. 
- **DO** review safety related items annually with all personnel who are operating the machine or performing maintenance. **DO** wear appropriate Personal Protective Equipment (PPE). The suggested equipment includes but is not limited to the following:
 - Hearing Protection
 - Protective glasses, goggles or face shield
 - Heavy work gloves
 - Protective shoes with slip resistant soles
- **DO** have a first-aid kit available for use should the need arise and know how to use it. 
- **DO** read and understand all safety signs located on the machine before operating, servicing, adjusting, or cleaning.
- **DO** inspect and secure all guards before starting.
- **DO** check engine intake and exhaust. Make sure they are clear of debris prior to starting the machine.
- **DO** inspect and secure all guards before starting.
- **DO** have a fire extinguisher available for use should the need arise. Know how to use it. 
- **DO** think SAFETY! Work SAFELY!
- **DO NOT** touch hot engine parts, muffler cover, hydraulic hoses, engine body, engine oil, and so on during operation or if the engine was recently shut off. Contact may cause burns.
- **DO NOT** expect a person who has not read and understood all operation and safety instructions to use the machine. An untrained operator is not qualified and is exposed to possible serious injury or death. It is the owner's responsibility to make sure to the operator has familiarity and understanding of the machine.
- **DO NOT** allow riders during transport.
- **DO NOT** risk injury or death by ignoring good safety practices.

2.5 Equipment Safety Guidelines

Always place the machine in a **Safe Condition** before performing any service work, maintenance procedures, or storage preparation.

SAFE CONDITION

- Shut off engine.
- Make sure all moving parts have stopped.
- Disconnect battery ground (-) cable.
- Block or chock wheels.

- Never use equipment with safety shields removed. Keep all shields in place. If shield removal becomes necessary for repairs, reinstall the shield prior to use.
- Replace any safety sign or instruction sign that is not readable or is missing. Location of safety signs is indicated in this manual.
- Do not allow anyone other than a responsible, properly trained and physically able person to operate this machine. This equipment is dangerous to children and persons unfamiliar with its operation.
- Do not modify the equipment in any way. Unauthorized modification may result in serious injury or death and may impair the function and life of the equipment.
- Never exceed the limits of the machine. If its ability to do the job or to do it safely is in question—**STOP IMMEDIATELY!**

2.6 Safety Training

- The best safety feature is an informed, careful operator—we ask you be that kind of operator. It is the operator's responsibility to read, understand and follow ALL safety and operation instructions in the manual.
- Train all new personnel and review instructions frequently with existing workers. Only properly trained and physically able operators should use this equipment. **A person who has not read and understood all operation and safety instructions is not qualified to use the machine.** Untrained operators expose themselves and bystanders to possible serious injury or death. If elderly people are assisting with the work, their physical limitations need to be recognized and accommodated.



- Learn the controls and how to stop the machine quickly in an emergency.
- If this machine is loaned or rented, it is the machine owner's responsibility to make certain that every operator:
 - Reads and understands the owner's manual
 - Is instructed in safe and proper use of the equipment
 - Understands and knows how to perform the Safe Condition procedure

2.7 Refueling Safety

- Engine fuel is highly flammable. Handle with care.
- Fill fuel tank outdoors.
- Stop the engine before refueling. Allow engine to cool for five minutes. Clean up spilled fuel before restarting engine.
- Do not overfill the fuel tank.
- If fuel is spilled, wipe it away carefully and wait until the fuel has dried before starting the engine.
- Do not refuel the machine while smoking or when near open flame or sparks.
- After refueling, make sure that the fuel cap is secured to prevent spillage.
- Prevent fires by keeping machine clean of accumulated trash, grease, and debris.


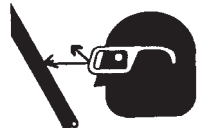


2.8 Tire Safety

- Failure to follow proper procedures when mounting a tire on a wheel or rim can produce an explosion which may result in serious injury or death.
- Do not attempt to mount a tire unless you have the proper equipment and experience to do the job.
- Have a qualified tire dealer or repair service perform required tire maintenance.
- When replacing worn tires, make sure they meet the original tire specifications. Never install undersized tires.

2.9 Hydraulic System Safety

- Make sure that all the components in the hydraulic system are kept in good condition and are clean.

- Before applying pressure to the system, make sure all components are tight, and that lines, hoses and couplings are not damaged. 
- Do not attempt any makeshift repairs to the hydraulic lines, fittings or hoses by using tapes, clamps or cements. The hydraulic system operates under extremely high pressure. Such repairs can fail suddenly and create a hazardous and unsafe condition.
- Wear proper hand and eye protection when searching for a high-pressure hydraulic leak. Use a piece of wood or cardboard as a backstop instead of hands to isolate and identify a leak. 
- If injured by a concentrated high-pressure stream of hydraulic fluid, seek medical attention immediately. Serious infection or toxic reaction can develop from hydraulic fluid piercing the skin surface.
- Relieve pressure in the hydraulic system before working on it.

2.10 Engine Safety

CAUTION!

Before starting the engine, review the safety, operating, and maintenance instructions in the engine manual.

W019

IMPORTANT! In some regions, when an engine is used on any forest covered, brush covered, or grass covered unimproved land it is required by law to have a spark arrestor installed on the muffler. A spark arrestor traps exhaust particles that are expelled from the engine. It is the responsibility of the operator to comply with the local laws and regulations. To purchase a spark arrestor, contact your local Wallenstein dealer or distributor.

- **DO NOT** operate engine in an enclosed area. Exhaust gases contain odorless and deadly carbon monoxide that can cause death by asphyxiation.
- **DO NOT** place hands or feet near moving or rotating parts.
- **DO NOT** store, spill, or use gasoline near an open flame, or devices such as a stove, furnace, or water heater which use a pilot light or devices which can create a spark.
- **DO NOT** refuel indoors where area is not well ventilated.
- **DO NOT** refuel while engine is running. Allow engine to cool for five minutes before refueling. Store fuel in approved safety containers.

- **DO NOT** remove fuel tank cap while engine is running.
- **DO NOT** operate engine if gasoline is spilled. Move machine away from the spill and avoid engine ignition until gasoline has evaporated.
- **DO NOT** smoke while filling fuel tank.
- **DO NOT** choke carburetor to stop engine. Whenever possible, gradually reduce engine speed before stopping.
- **DO NOT** run engine above rated speeds. This may result in injury.
- **DO NOT** tamper with governor springs, governor links or other parts which may increase the governed speed.
- **DO NOT** tamper with the engine as set by the original equipment manufacturer.
- **DO NOT** check for spark with spark plug or spark plug wire removed.
- **DO NOT** crank engine with spark plug removed. If engine is flooded, crank until engine starts.
- **DO NOT** strike flywheel with a hard object or metal tool as this may cause flywheel to shatter in operation. Use proper tools to service engine.
- **DO NOT** operate engine without a muffler. Inspect periodically and replace, if necessary.
- **DO NOT** operate engine with an accumulation of grass, leaves, dirt or other combustible materials in the muffler area.
- **DO NOT** touch hot muffler, engine body or cooling fins. Contact may cause burns.
- **DO NOT** run engine with air cleaner or air cleaner cover removed.

Be sure to:

- Remove the wire from the spark plug when servicing the engine or equipment to prevent accidental starting. Disconnect the (-) ground wire from the battery terminal.
- Keep engine cooling fins and governor parts free of grass and other debris that can affect engine speed.
- Examine muffler periodically to be sure it is functioning effectively. A worn or leaking muffler should be repaired or replaced as necessary.
- Use fresh gasoline. Old fuel can clog carburetor and cause leakage.
- Check fuel lines and fittings frequently for cracks or leaks. Replace if necessary.

2.11 Being Prepared

- Determine where the split wood is going to be piled ahead of time. Make sure it does not interfere with safe loading of wood into the splitter.
- Precut logs so wood is ready to load into the splitter. Do not run a chain saw and the splitter at the same time.
- Determine a safe work area location:
 - Area must be clear of stones, branches or hidden obstacles that might cause a tripping, hooking or snagging hazard.
 - Ground should be firm and level.
- Operate only in daylight or good artificial light.
- Make sure machine is properly adjusted and in good operating condition.
- Store fuel well away from the wood pile.
- Perform the **Pre-operation Checklist** procedure before starting work (see *Pre-operation Checklist on page 21*).
- Do not operate on hillsides or when working area is cluttered, wet, muddy or icy to prevent slipping and tripping. Operate only on level ground.
- Position machine so prevailing winds blow engine exhaust fumes away from operator's station.
- Do not operate machine inside a closed building to prevent asphyxiation from engine exhaust.
- Stop engine when leaving the machine unattended.

2.12 Sign-Off Form

Anyone using this machine must read and thoroughly understand all Safety, Operation and Maintenance information in this manual. An untrained operator should never use this machine.

To help document this training, the sign-off sheet provided below can be used.

Make periodic reviews of Safety and Operation a standard practice for all operators. Review again at the startup of every season.

The design and manufacture of this product conforms to relative provisions in the following standards:

ISO 4254-1 Agricultural machinery – Safety

ASABE S318 Safety for Agricultural Field Equipment

ISO 3600 Operator’s Manual – Machinery for Agriculture, Forestry & Lawn Equipment

Safety

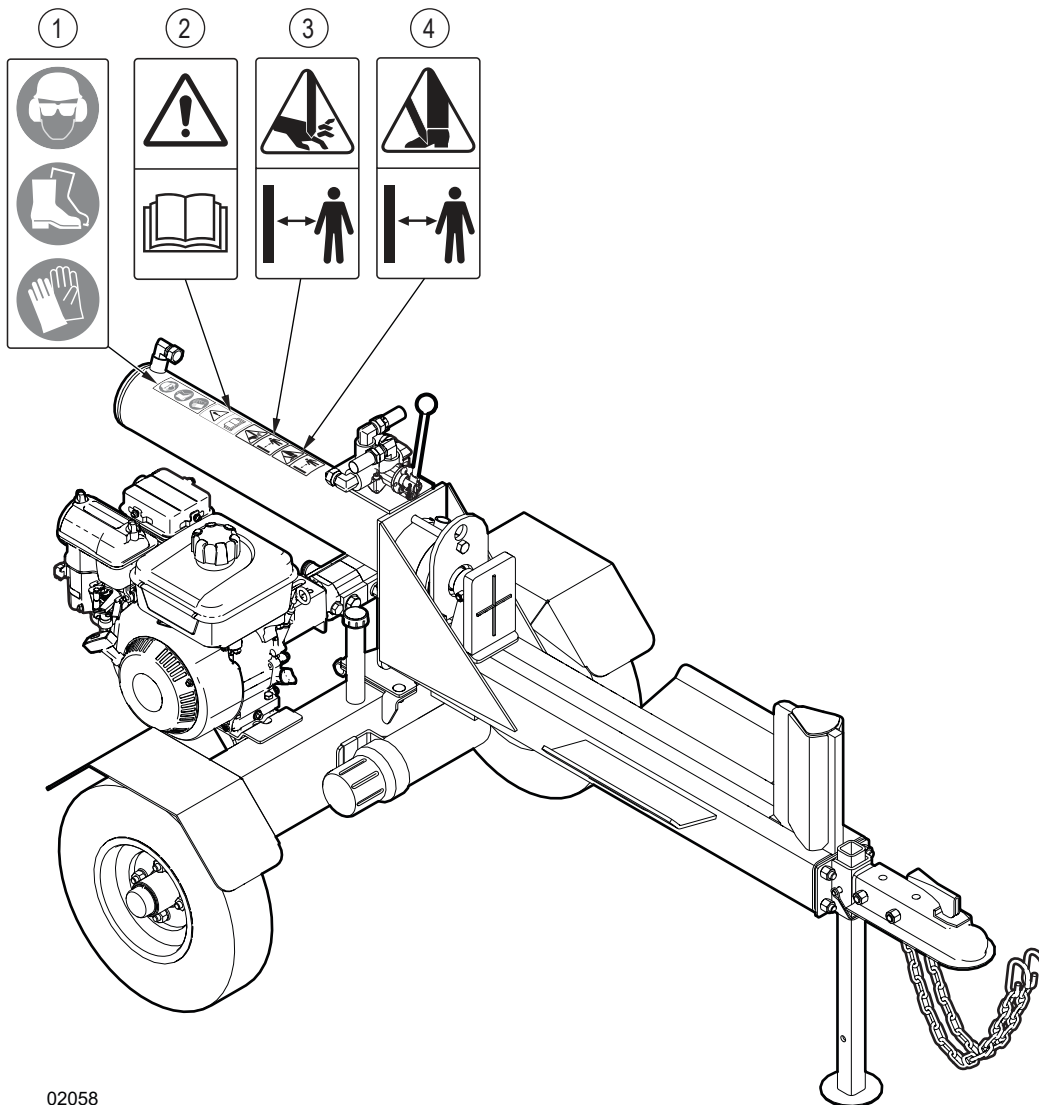
Sign-off Form		
Date	Owner	Employee

3. Safety Signs

3.1 Safety Sign Locations

The types of safety signs and locations on the equipment are shown in the illustrations that follow. Good safety requires that you familiarize yourself with the various safety signs, the type of warning and the area, or particular function related to that area, that requires your SAFETY AWARENESS.

Think SAFETY! Work SAFELY!



02058

Figure 1 – Safety decal locations (typical)

3.2 Safety Sign Explanations

1. Warning!

Always wear appropriate Personal Protective Equipment when using this machine. For example:

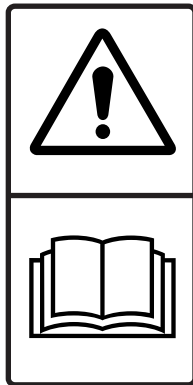
- A hard hat
- Heavy gloves
- Hearing protection
- Protective shoes with slip resistant soles
- Protective glasses, goggles or face shield



2. Caution!

Refer to the operator's manual. Read ALL operating instructions in the manual and learn the meaning of ALL safety signs on the machine.

The best safety feature is an informed operator.



3. Warning!

Pinch point / crushing danger! Keep your hands away from all moving parts during and after split operation! Never try to clear a jammed log with your hands! Wait for all moving parts to come to a complete stop before loading or clearing obstructions.



4. Warning!

Keep feet away from falling split wood. Always wear steel toed foot wear while machine is operating to avoid serious personal injury.



IMPORTANT! If parts are replaced that have safety signs on them, new signs must be applied. Safety signs must always be replaced if they become damaged, are removed, or become illegible.

Safety signs are included in the product decal kit available from your authorized dealer. Decals are not available separately.

3.2.1 Replacing Damaged Safety Signs

- Always keep safety signs clean and legible.
- Replace safety signs that are missing or have become illegible.
- Parts that were replaced with a safety decal on them must also have the safety sign replaced.
- Replacement safety signs are available from your authorized Distributor, Dealer Parts Department, or Wallenstein Equipment.

Procedure

1. Be sure that the installation area is clean and dry.
2. Be sure temperature is above 50 °F (10 °C).
3. Determine exact position before removing from the backing paper.
4. Pull the decal off the backing sheet, align the sign over the specified area, then carefully press the exposed sticky backing in place.
5. Use a piece of the backing paper to smooth the decal out, pressing from the center outwards.
6. Small air pockets can be pierced with a pin and smoothed out using the piece of sign backing paper.

4. Familiarization

4.1 To the New Operator

It is the responsibility of the owner or operator to read this manual and to train all other operators before they start working with the machine. Follow all safety instructions exactly.

By following recommended procedures, a safe working environment is provided for the operator, bystanders and the area around the work site. Untrained operators are not qualified to use the machine.

Many features incorporated into this machine are the result of suggestions made by customers like you. Read this manual carefully to learn how to use the machine safely and provide maximum operating efficiency. By following the instructions in conjunction with a good maintenance program, your log splitter can provide many years of trouble-free service.

IMPORTANT! Make sure all operators understand how to put the log splitter in a Safe Condition before working with this machine. See Safe Condition *page 9*.

4.1.1 Training

Each operator must be trained in the proper set-up and operating procedures before using the machine.

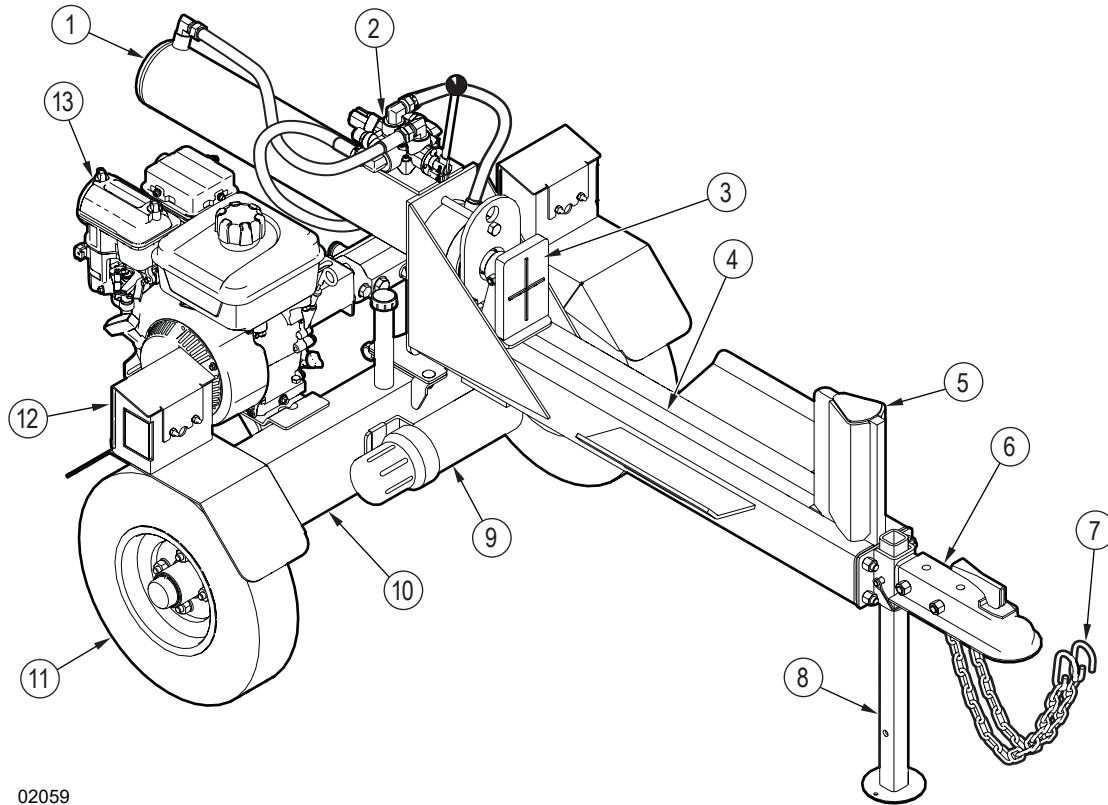
1. Move the unit to a large open area to allow the operator to become familiar with control functions and machine response.
2. Do not allow untrained operators to use the machine. They can endanger themselves and others, or damage property and the machine.

4.1.2 Job Site Familiarization

It is the responsibility of the operator to be thoroughly familiar with the work site prior to starting.

1. Check for close or cramped work space. Be sure there is sufficient space and clearance for the machine to operate.
2. Organize the working area to minimize movement.
3. Position the machine so prevailing winds blow engine exhaust fumes away from operator's station.

4.2 Machine Components



02059

Figure 2—WX520, WX520T, and WX520L log splitter components

1. Hydraulic cylinder
2. Splitter control valve
3. Sliding push block
4. Splitter bed
5. Splitter wedge
6. Trailer tongue
7. Safety chains
8. Front jack stand
9. Operator's Manual container
10. Hydraulic oil reservoir
11. 4.80-8 LRB SportTrail tire
12. Lights (on WX520L only)
13. Engine

5. Controls

WARNING!

Do not operate the machine until you are thoroughly familiar with the position and function of the various controls. Read the operator's manual thoroughly. Your safety is involved!

W065

5.1 Engine Controls

WARNING!

Before starting the engine, read and understand the safety and operating information under *Engine Safety on page 10.*

IMPORTANT! For complete information about the engine controls, see the engine manufacturer's manual.

5.1.1 Throttle Control and Fuel Shutoff

The throttle control and fuel shutoff lever has the following functions:



Fast
Engine speed is fast.



Slow
Engine speed is slow.



Fuel shutoff closed



STOP
The engine is stopped.

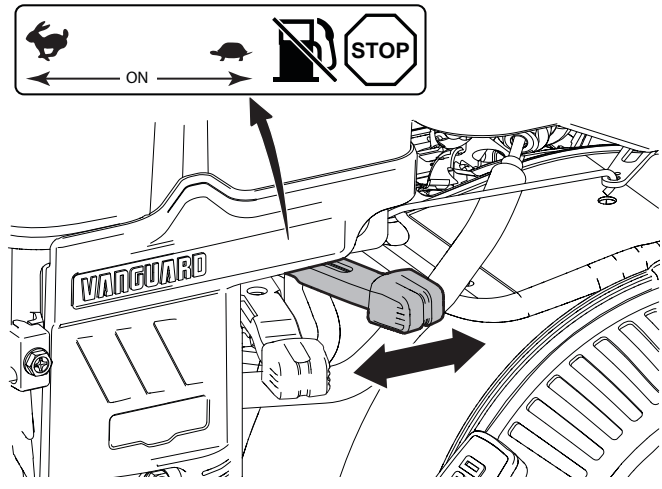


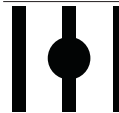
Figure 3—Engine throttle control and fuel shutoff

5.1.2 Choke Control

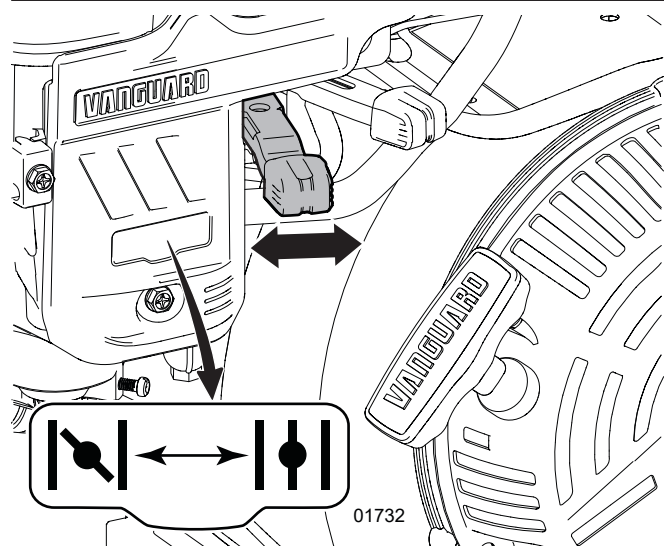
The choke control lever has the following functions:



Closed
Close the choke to start a cold engine.



Open
Open the choke when the engine is warm.



01732

Figure 4—Engine choke control

5.1.3 Rewind Start

! WARNING!

Fast retraction of the starter cord (called kickback) pulls your hand and arm toward the engine faster than you can let go of the handle. Serious bodily harm (for example; bruises, sprains, fractures, and broken bones) can result.

When starting the engine, pull the starter cord slowly until you feel resistance, and then pull it rapidly to avoid kickback.

W102

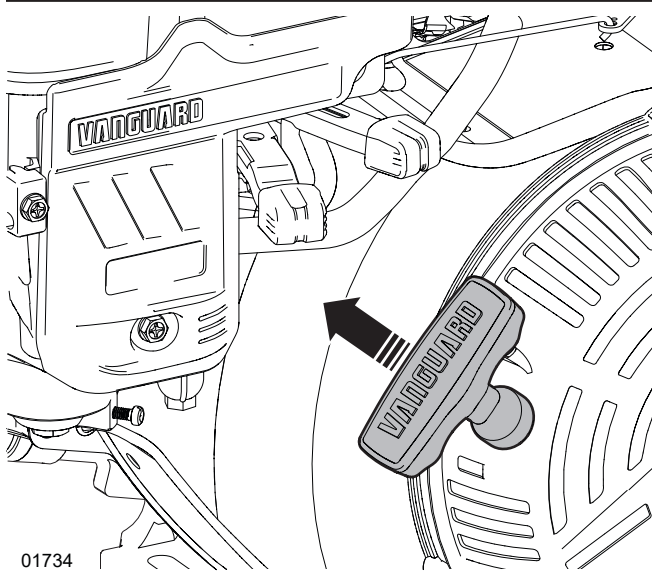


Figure 5—Rewind-start handle

5.2 Splitter Control

The splitter-control valve extends and retracts the push block to split the wood. The splitter-control lever has three positions—extend, neutral, and retract.

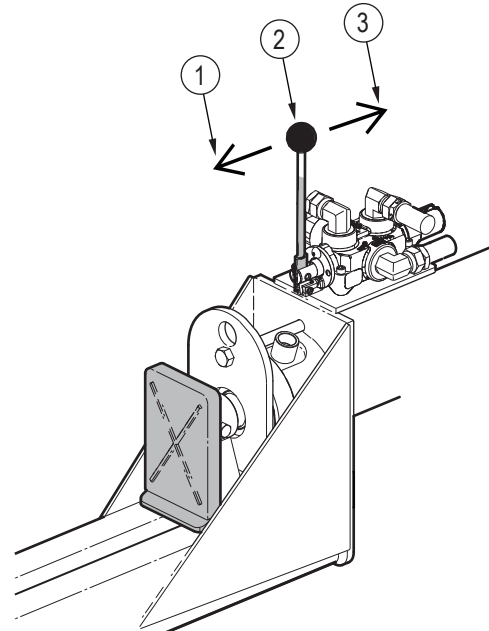


Figure 6—Splitter-control valve

1. Extend
2. Neutral
3. Retract

The splitter control has the following functions:

1. **Extend**

Push and hold the lever to move the push block toward the log. The push block applies pressure to split the log.

When you release the lever, it automatically moves to the neutral position.

2. **Neutral**

When the lever is at the center of the valve, it is in the neutral position. In this position, the push block is stopped.

Logs can be loaded onto the log splitter when it is in the neutral position.

3. **Retract**

Pull the lever to move the push block away from the log. The splitter-control valve holds the lever in the retract position (detent) for a hands-free retract cycle.

When the push block gets to the retracted position, the lever automatically returns to the neutral position.

5.3 Stroke Limiter Accessory

Use the Stroke Limiter accessory to shorten the cylinder return time. Shortening the return stroke improves the machine efficiency.

Setting the Stroke Limiter

1. Place a typical sized log on the splitter bed.
2. Move the push block up to the log, stopping 3" (8 cm) away.
3. Shut off the engine. Make sure the control valve lever is in the neutral position.
4. Loosen the hex set screw on the rod adjusting collar and move the rod up to the push block. (This is the set position at which the push block stops on the return cycle.) Tighten the hex screw.

Test the set up by cycling the push block through its path. Split a log then put the hydraulic lever into the return (detent) position. The lever should trip the hydraulic control and the anvil / ram stops at the set position. Adjust as required.

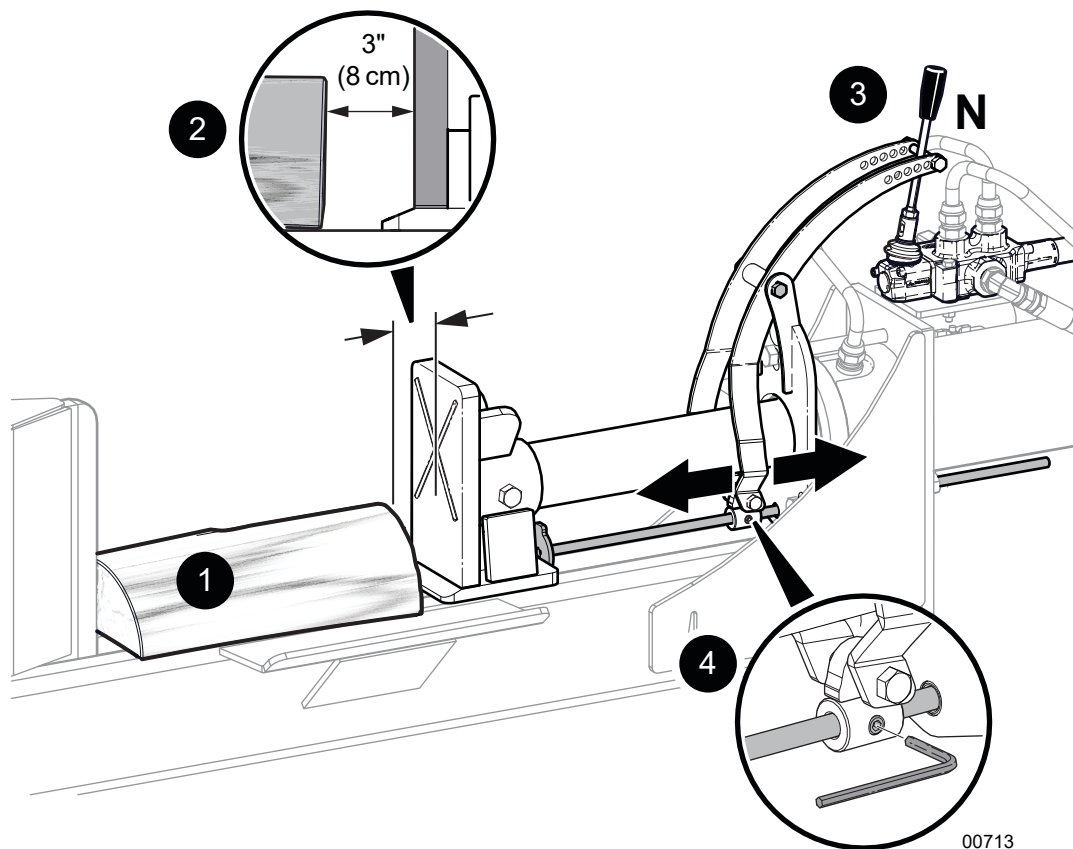


Figure 15—Adjust the stroke limiter

6. Operating Instructions

The WX520 log splitter models operate in the horizontal configuration only.

The operator has the responsibility of being familiar with all operating and safety procedures and following them.

6.1 Operating Safety

Read and obey the safety signs on the machine. Clean or replace them if they are not legible.

There is no substitute for a cautious, safe-minded operator who recognizes potential hazards and follows reasonable safety practices. This machine must be used with all its safety equipment properly installed to minimize the chance of accidents.

1. Wear appropriate personal protective equipment. Tie back long hair, remove jewelry, and avoid loose fitting clothing. Prolonged exposure to loud noise can cause permanent hearing loss! Wear hearing protection on a full-time basis when using this machine.
2. The operator must be in control of the machine at all times. Read and understand owner's manual before starting. Review safety instructions annually.
3. Never use engine-powered machinery indoors. Gas engine exhaust contains toxic carbon monoxide, which cannot be smelled or seen. Breathing carbon monoxide can be lethal.
4. Make sure all guards, deflectors and shields are in place before starting and operating.
5. Keep hands out of splitting area. Do not rest hands on the log being split.
6. Do not step over or straddle splitter during operation.
7. Do not try to split more than one log at a time. The logs can fly out and cause injury.
8. Keep your fingers and hands away from cracks in the log that can open while splitting.
9. Always load logs by grasping the bark side, not the cut ends.
10. Do not reach into or load the splitter when the push block is in motion.
11. Do not try to split logs across the grain. Some types of wood can burst or splinter causing pieces to be thrown causing injury.
12. For uneven cut logs, always place the squares cut end against the splitting push block.
13. Never place any part of your body where it would be in danger if machine movement should occur during assembly, installation, operation, maintenance, repairing or moving.
14. Before servicing or repairing the machine, place it in a **Safe Condition**. See *page 9*.

6.2 Before Starting the Engine

1. Check the engine oil level. See *page 22*.
2. Check the hydraulic fluid level. See *page 23*.
3. Check the fuel level.
4. Check the engine air filter. See *page 32*.
5. Clear the area of bystanders, especially small children.
6. Make sure each operator is trained and familiar with the set up and operation of the log splitter.
7. Follow the Pre-Operation Checklist.
8. Review the Controls. See *page 17*.
9. Survey the work site and position the log splitter in a clear, level work area.
10. Set up the machine correctly. See *page 24*.

6.3 Pre-operation Checklist

Efficient and safe operation of the Wallenstein log splitter requires that each operator reads and understands the operating procedures and all related safety precautions outlined in this section.

A Pre-operation Checklist is provided for the operator. The checklist is important for both personal safety and keeping the log splitter in good mechanical condition.

Before operating the machine and each time thereafter, the following areas should be checked off:

Pre-operation Checklist	✓
Check engine oil level. Top level up as required.	
Check hydraulic fluid level. Top level up as required.	
Check and lubricate the machine following the schedule outlined in the Maintenance section.	
Check the wedge and block. Be sure they are not damaged or broken and is not badly worn. Repair or replace as required.	
Check and remove any entangled material.	
Check for hydraulic leaks. Tighten connections or replace components to stop leaks.	
Check and ensure that all covers, guards and shields are in place, secured, and can function as designed.	
Check and inspect tires, wheels, and hubs.	
Check and tighten all fasteners. Make sure the equipment is in good condition.	
Check that appropriate equipment for personal protection is being used and in good condition.	
Check that jewelry, loose-fitting clothing are not worn. Make sure long hair is tied back.	

6.4 Machine Break-In

Although there are no operational restrictions on the log splitter when used for the first time, it is recommended that the following items be checked:

Review the engine owner's manual for break-in recommendations. Place the machine in a **Safe Condition** before checking any components. Refer to *Safe Condition on page 9*.

After One Hour of Operation

1. Check that the push block is adequately lubricated.
2. Check all nuts, bolts and other fasteners. Tighten to their specified torque level.
3. Check hydraulic system for leaks. Tighten all leaking fittings and replace any leaking components.
4. Check machine fluid levels—Fuel, engine oil, and hydraulic fluid reservoir. Top up as required.
5. Check for entangled material. Remove all entangled material before resuming work.
6. Check tire pressure. Inflate as required.

After Eight Hours of Operation

- Repeat steps 1 to 6.

6.5 Check the Engine Oil Level

IMPORTANT! For more information about engine oil, see the engine manufacturer's manual and *Engine Oil on page 28*.

Operating the engine with a low oil level can cause engine damage that is not covered by the warranty.



The engine must be in a level position for the dipstick to show the oil level correctly.

Check the engine oil level before each use.

1. Park the machine on level ground.
2. Stop the machine.
For instructions, see *Stop the Machine on page 24*.
3. Pull out the oil-level dipstick and wipe it clean.
4. Fully insert the oil-level dipstick.
5. Pull out the oil-level dipstick and check the oil level.
The oil level is correct when oil is visible on the dipstick from the end to the full (upper) mark.
6. Do one of the following:
 - If the oil level is correct, continue with step 7.
 - If the oil level is low, add oil until the oil-level is at the full (upper) mark. For instructions, see *Add Oil to the Engine*.
7. Insert and secure the oil-level dipstick.

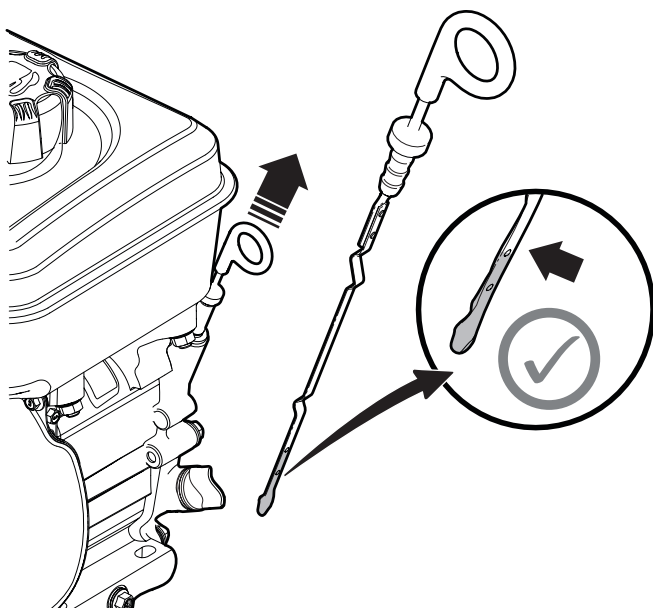


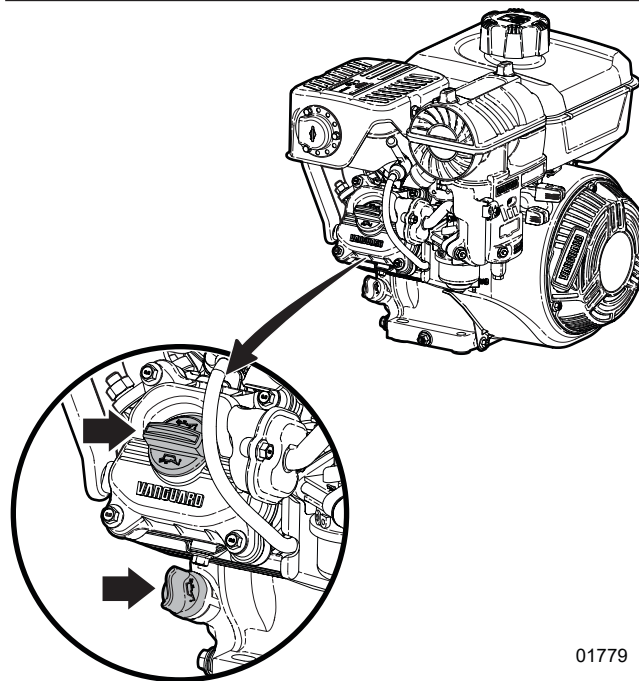
Figure 7—Check the engine oil level

6.6 Add Oil to the Engine

IMPORTANT! For more information about engine oil, see the engine manufacturer's manual and *Engine Oil on page 28*.

The engine has three oil-fill locations. The two most accessible locations are shown in the following image. The third location is on the opposite side of the engine, below the dipstick.

1. Check the engine oil level to make sure that the oil level is low. For instructions, see *Check the Engine Oil Level*.
2. Turn an oil-fill cap counterclockwise to remove it.
3. Use a clean funnel to slowly add the correct type and amount of oil. **Do not overfill.**
4. Wait a minimum of one minute.
5. Remove the funnel, and then check the engine oil level.
6. Install and secure the oil-fill cap to prevent spillage.



01779

Figure 8—Engine oil-fill locations

6.7 Check the Hydraulic Fluid Level

Check hydraulic fluid level every 40 hours or weekly.

Check with the machine parked on level ground and the engine stopped.

The proper level is when the fluid is visible at the full (upper) mark on the dipstick.

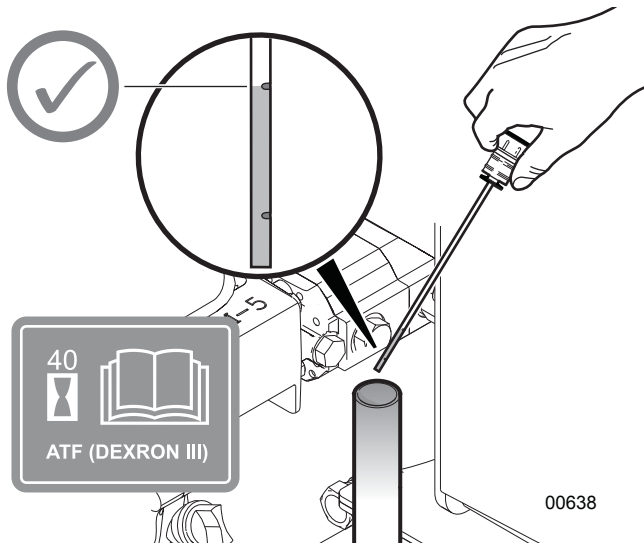


Figure 9—Hydraulic tank fluid level dipstick

IMPORTANT! Do not operate machine if fluid level is not visible on the dipstick. Damage to the pump and other components can occur.

Do not overfill the tank past the full mark.

Always check fluid levels after changing filters or servicing hydraulic components.

Hydraulic fluid quality should be inspected every 40 hours. If the fluid is dirty or smells burnt, it should be replaced.

Be aware of high fluid temperatures. Temperatures higher than 180 °F (82 °C) could cause seal damage and degrade fluid quality.

6.7.1 Add Hydraulic Fluid

The hydraulic system uses **Dexron® III ATF**.

1. Clean the area around filler cap and remove it.
2. Use a clean funnel and add fluid until the level is at the full mark on the dipstick.
3. Install filler cap securely. Wipe up any spilled fluid.

6.8 Check the Fuel Level

Check the fuel level daily.

Starting with a full tank helps to eliminate or reduce operating interruptions for refueling.

The fuel tank is located on the engine. Avoid running the tank dry.

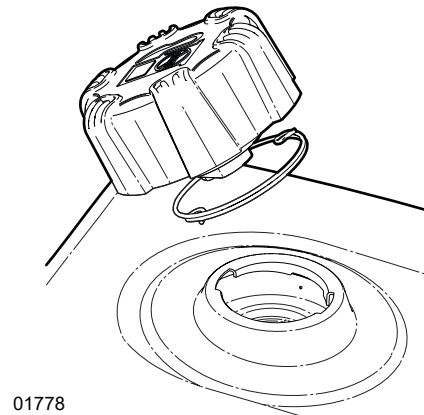


Figure 10—Fuel cap

6.8.1 Add Fuel to the Engine

Fuel tank capacity: **0.82 US gal (3.1 L)**.

WARNING!



Never smoke or vape while working with fuel. Fuel vapors can explode causing injury or death. Keep sparks, flames, and hot components away.

W027

Refuel in a well-ventilated area with the engine stopped. If the engine has been running, allow it to cool first. Never refuel the engine inside a building where gasoline fumes can come in contact with flames or sparks.

For fuel specification, see *Fluids and Lubricants* on page 28 . Refer to the engine manual for additional information on fuels.

1. Clean the area around fuel tank cap. **Fill the tank to 1/2" (12 mm) below bottom of filler neck to provide space for any fuel expansion.** Do not overfill.
2. Install fuel fill cap securely and wipe up any spilled fuel.

6.9 Machine Setup

IMPORTANT! Park the log splitter on a level, dry work area free of debris and other objects.

Position the splitter so the prevailing wind blows engine exhaust away from the operator.



If a tow vehicle is available, leaving the splitter attached to it provides greater stability.

1. Position the splitter next to the wood to be split.
2. Leave the splitter attached to the tow vehicle. If no tow vehicle is available, lower the jack stand and chock the wheels so the machine is stable.
3. Make sure working area is clear of stones, branches or other obstacles.
4. Precut logs to desired block size, ready to load onto splitter bed.
5. Determine where the split wood is going to be piled. Make sure that location does not interfere loading splitter.

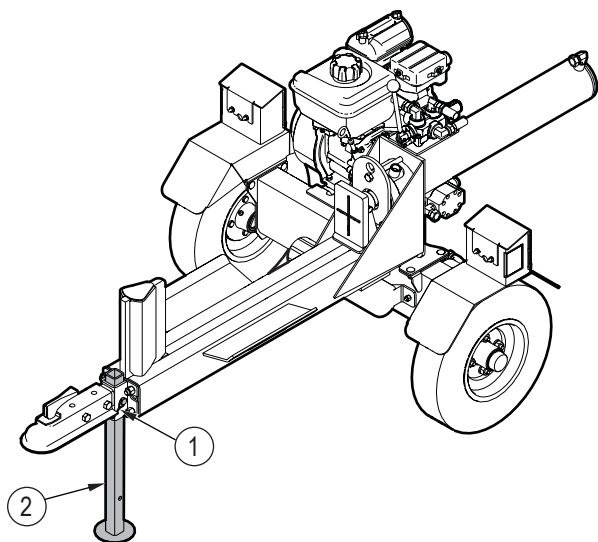


Figure 11 – Machine setup

1. Snap-lock pin
2. Jack stand

6.10 Start the Machine

CAUTION!

Before starting the engine, review the safety, operating, and maintenance instructions in the engine manual.

W019

CAUTION!



Hearing loss hazard. Prolonged exposure to loud noise may cause permanent hearing loss. Use suitable protection while operating the machine.

W016

Make sure the log splitter is set up to work and otherwise ready to run.

1. If the engine is cold, close the choke (push choke lever to the left). To start a warm engine, leave the choke open (lever pushed to the right).
2. Move the throttle lever away from the MIN. position, about a third of the way toward the MAX position.
3. Turn the engine ignition switch ON.
4. Pull the starter grip out lightly until resistance is felt, then pull briskly. Return the starter grip gently.

IMPORTANT! Do not allow the starter grip to snap back against the engine. Return it gently to prevent damage to the starter.

5. Leave the engine operating at low throttle for a few minutes to allow it to warm up. Gradually push the choke control lever open (to the left) as the engine warms.
6. Once the engine is warmed, increase the throttle setting to MAX before beginning.

6.11 Stop the Machine

To stop the engine in an emergency, turn the ignition switch OFF. Correct fault situation before restarting.

Under normal conditions, use the following procedure

1. Stop loading material onto the splitter bed.
2. Decrease engine speed to MIN.
3. Turn the ignition switch OFF.

6.12 Emergency Stop

In the event of an emergency:

1. Move the splitter control to the neutral position.
2. Move the engine throttle control to the **STOP** position to turn off the engine and close the fuel shutoff valve.
3. Remove the cause of the emergency before starting the engine and resuming work.

6.13 Log Placement

! WARNING!

Risk of pinching or crushing hazard between the wedge or push block and the log!

Never place hands at the ends of the log.
Always grasp logs by the sides when loading or removing.

W035

- Always grasp logs by the bark side and not the ends, when placing or removing logs from the splitter. Minimize the chance of getting fingers, hands or arms caught between the push block and the log.
- Any logs or debris remaining on the splitter bed should only be removed after it is safe to do so.

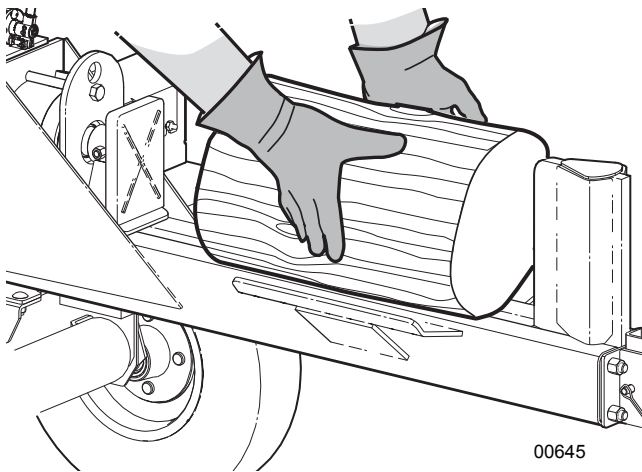


Figure 12—Correct log placement

6.14 Split Wood

! WARNING!

Risk of pinching or crushing hazard! The worker loading the splitter **MUST** be the only one in control of the hydraulic cylinder and splitting wedge.

Only one worker should operate and load the wood splitter.

W036

IMPORTANT! Do not hold the splitter-control lever to extend or retract the cylinder once it has reached the end of its stroke. Doing so can overheat the oil and could damage the engine.

1. Place wood or log on the splitter.
2. Push the control lever to the **Extend** position and hold to split wood.
3. Release the lever when the log splits or cylinder reaches full stroke and stops.
4. Pull the lever to the **Retract** position to retract the push block. The detent holds the lever until the cylinder fully retracts, allowing hands-free operation.
5. If the log is large enough to require another split, reposition and repeat steps.
6. Pile the split wood close to the working area, but do not allow pieces to pile up and clutter the area. A cluttered working area can lead to tripping and an accident.

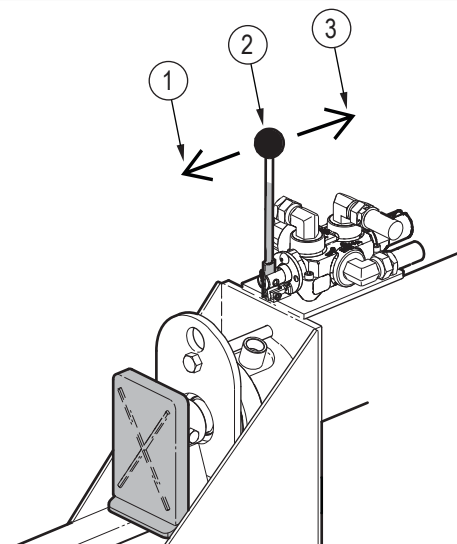


Figure 13—Splitter-control valve

1. Extend position
2. Neutral position
3. Retract position

7. Transport

7.1 Transport Safety

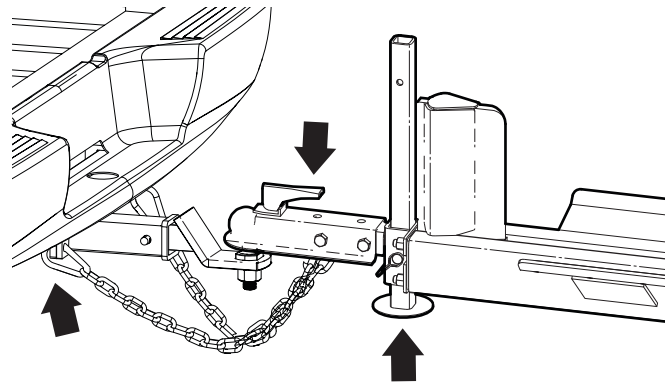
1. Comply with local laws governing safety and transporting of machinery on public roads.
2. Do not exceed 50 mph (80 km/h) when towing this machine. Slow down for rough terrain and cornering.
3. Do not transport or move the log splitter with the engine running.
4. Be sure the trailer is hitched correctly to the towing vehicle and a retainer is used through the hitch mechanism.
5. Always attach safety chains between the hitch and the towing vehicle. Cross the chains underneath the trailer tongue.
6. Check wheel lugs and tighten if required. Inspect rims for damage.
7. Inspect tires for cuts or damage. Check tire pressure and adjust if required.
8. Ensure the stability jacks are raised and secured with the latch pin.
9. Make sure tow vehicle is fitted with the correct size (2 in) towing ball.
10. Make sure fuel and hydraulic tank caps are on tight to prevent spills while transporting.
11. Clean all debris off the splitter. Remove any tools or other loose items.
12. Check that all the lights, reflectors and other lighting requirements are installed and in good working condition.
13. Never allow riders on the machine.
14. Be a safe and courteous driver. Always yield to oncoming traffic in all situations, including narrow bridges, intersections, and so on.
15. Watch for other traffic when near or crossing roadways.
16. Do not drink and drive.
17. Before transporting, perform a walk-around inspection to ensure everything is safe.

7.2 Prepare for Transport

- Stop the machine.
For instructions, see *Stop the Machine on page 24*.
- Clean all debris from the splitter that could fall off in transport.
- Check tire pressure. Inspect for cuts or damaged rims.
- Check lug nuts and re-torque as necessary. Inspect again after 20–25 mi (32–40 km). Check weekly. See *page 36*.
- Inspect and replace any axle dust caps that are missing, damaged or leaking.
- Always be in compliance with all applicable local regulations when transporting.

7.3 Connect to a Tow Vehicle

1. Keep bystanders are clear of the machine.
2. Make sure there is enough room and clearance to safely back up to the machine.
3. Slowly back the tow vehicle until the coupler on the hitch and ball are aligned.



00715

Figure 14—Align the ball hitch

4. Lift the hitch and place the coupler over the ball on the hitch.
5. Flip the latch to lock the coupler around the ball.
6. Pull out the jack stand snap lock pin and raise the jack stand to its stowed position. Install snap lock pin to secure it.
7. Cross safety chains under trailer tongue and attach securely to the tow vehicle hitch.
8. Connect the wiring harness for the lights (as equipped).
9. Reverse the above procedure when unhooking.

8. Storage

After the season's use and the log splitter is going to be put away in storage, it should be thoroughly inspected and prepared. Repair or replace any worn or damaged components to prevent any unnecessary down time at the start of next season. The log splitter can have a long, trouble-free life by following these steps:

IMPORTANT! Refer to the engine manufacturer's manual for information specific to engine storage.

8.1 Place the Machine in Storage

1. Fully retract the cylinder ram.
2. Stop the machine.
For instructions, see *Stop the Machine on page 24*.
3. Do one of the following:
 - If the machine will be in storage for one to three months, add stabilizer to the engine fuel and drain the carburetor.
 - If the machine will be in storage for longer than three months, replace the engine fuel with an alkylate or appropriate engineered fuel. These fuel types prevent the buildup of insoluble solids (deposits) in the engine. For more information, see *Engine Fuel on page 29*. For instructions, see *Replace the Engine Fuel*.
4. Thoroughly wash the machine using a pressure washer to remove all dirt, mud, debris, and residue.
5. Inspect the cylinder ram, push block and wear plates for damage or entangled material. Repair or replace damaged parts. Remove all entangled material.
6. Touch up all paint nicks and scratches to prevent rusting.
7. If the splitter is to be stored for longer periods (over 6 months), follow the engine manufacturers recommendations for storage preparation.
8. Store the machine in an area away from human activity.
9. Select an area that is dry, level and free of debris to park the log splitter.
10. If the log splitter is not stored inside a building, cover with a waterproof tarp. Tie securely in place.
11. Do not allow children to play on or around the stored machine.

8.1.1 Replace the Engine Fuel



Before you replace the fuel, read and understand the information under *Engine Safety on page 10*.

1. Remove the current fuel from the engine.
Operate the machine until the fuel tank is empty or drain the fuel tank and properly dispose of the fuel.
2. Add new fuel to the engine.
For instructions, see *Add Fuel to the Engine on page 23*.
3. Start the machine.
For instructions, see *Start the Machine on page 24*.
4. Wait five to 10 minutes for the fuel to flush the carburetor.
5. Stop the machine.
For instructions, see *Stop the Machine on page 24*.

8.2 Remove the Machine from Storage

1. Review and follow the Pre-operation Checklist. See *page 31*
2. Review safety and operation procedures. See *page 8*.

9. Service and Maintenance

WARNING!

Risk of serious personal injury. Stop engine before performing ANY service or maintenance procedure. Reinstall all covers and shields removed before putting machine back into service.

W033

IMPORTANT! Refer to the engine manufacturer's manual for engine maintenance and service information.

9.1 Maintenance Safety

1. Follow good shop practices:

- Keep service area clean and dry.
- Be sure electrical outlets and tools are properly grounded.
- Use adequate light for the job at hand.



- Never operate the machine or the towing vehicle in a closed building. The exhaust fumes may cause asphyxiation.
- Before servicing or repairing, place the machine in a **Safe Condition**. See page 9.
- Allow the engine to cool before performing maintenance. Engine components and oil may be hot enough to cause injury.
- Never work under equipment unless it is properly supported.
- When performing any service or maintenance work always use personal protective equipment.
- Where replacement parts are necessary, use only OEM parts to restore your equipment to original specifications. The manufacturer is not responsible for injuries or damages caused by use of unapproved parts or accessories.
- Inspect and tighten all bolts, nuts and screws. Check that all electrical and fuel connections are properly secured.
- When completing a maintenance or service function, make sure all safety shields and devices are installed before placing splitter in service.
- When cleaning any parts, do not use gasoline. Use a cleanser designed for that purpose.

- Always use proper tools in good condition. Make sure you understand how to use them, before performing any service work.

9.2 Fluids and Lubricants

The machine requires various fluids and lubricants for operation and maintenance.

9.2.1 Lubricant Handling and Storage

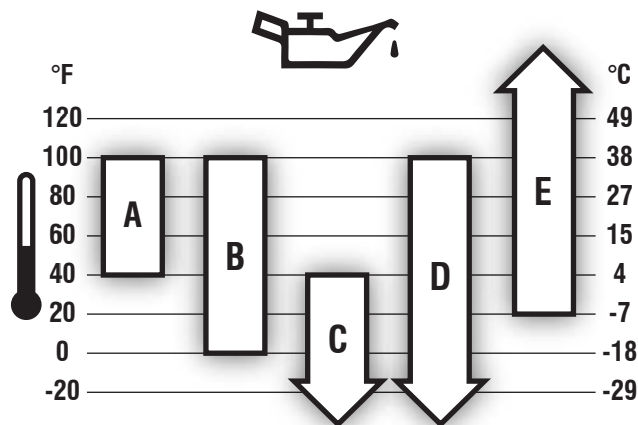
For optimum machine efficiency, use clean lubricants and clean containers to handle all lubricants. Store lubricants in an area that is protected from dust, moisture, and other contaminants.

9.2.2 Engine Oil

For engine maintenance and service information, see the engine manufacturer's manual.

Briggs & Stratton® Warranty Certified oils are recommended for the best engine performance. However, other high-quality detergent oils are permitted if they are classified for service SF, SG, SH, SJ, or higher. Do not use special additives.

Outdoor temperatures determine the required engine oil viscosity. Select the best oil viscosity for the expected outdoor temperature range. Use the following chart as a guide:



01802

- A SAE 30** – Below 40 °F (4 °C) the use of SAE 30 results in hard starting.
- B 10W-30** – Above 80 °F (27 °C) the use of 10W-30 may cause increased oil consumption. Check the oil level frequently.
- C 5W-30**
- D Synthetic 5W-30**
- E Vanguard® Synthetic 15W-50**

9.2.3 Engine Fuel

For complete fuel information and use at high altitudes, see the engine manufacturer's manual.

Fuel must meet the following specifications:

- Clean, fresh, unleaded gasoline.
- Minimum of 87 octane / 87 AKI (91 RON).
- Gasoline with up to 10% ethanol (gasohol) is acceptable if the fuel is fresh (less than three months old).

If the machine will be in storage for longer than three months, replace the fuel with one of the following fuel types:

- An alkylate fuel
- An engineered fuel that is high octane, ethanol-free, and formulated with power detergent to prevent the buildup of insoluble solids (deposits).

For instructions, see *Add Fuel to the Engine on page 23*.

9.2.4 Grease

Use an SAE multi-purpose high temperature grease with extreme pressure (EP) performance. An SAE multipurpose lithium-based grease is an acceptable substitute.

9.2.5 Hydraulic Fluid

Use Dexron® III automatic transmission fluid (ATF) for all operating conditions.

The following ATFs are acceptable substitutes:

- Dexron VI
- Mercon®

9.3 Maintenance Schedule

Perform maintenance procedures at time shown or hour interval, whichever comes first.

As Required	
Check the condition of all hydraulic lines, hoses and fittings. Replace any that are damaged.	
Remove any entangled material from splitter.	
Check that all fasteners are tight.	

Every 8 hours or Daily	
Check fuel level	See page 23
Check engine oil level.	See page 22
Clean the engine air-intake grille	—

Every 40 hours or Annually	
Check hydraulic fluid level.	See page 23
Inspect hydraulic fluid quality	See page 23
Grease frame slide, hinges, pivot points	See page 30

Every 100 hours or Annually	
Grease axle bearings	See page 30
Check tire pressure	See rating on tire sidewall
Change hydraulic fluid and filter	See page 31
Clean machine. Remove debris and entangled material.	—
Change fuel filter	See engine manual

Every 200 hours or Annually	
Clean the engine air filter	See page 32
Change the engine oil	See page 22

Every 600 hours or Every 6 Years	
Change the engine air filter	See page 32

9.4 Grease Points

Use a hand-held grease gun for all greasing. Pump one shot of grease per fitting.



Look for this decal on your machine. It indicates a grease point and the interval in hours.

- Wipe grease fitting with a clean cloth before greasing to avoid injecting dirt and grit.
- If fittings do not take grease, remove and clean them thoroughly. Replace grease fittings as necessary.

Location	Every 40 hours of operation or as required
1	Frame slide (apply a small amount of grease to the slide).

Location	Every 100 hours of operation or annually
2	Axle bearings

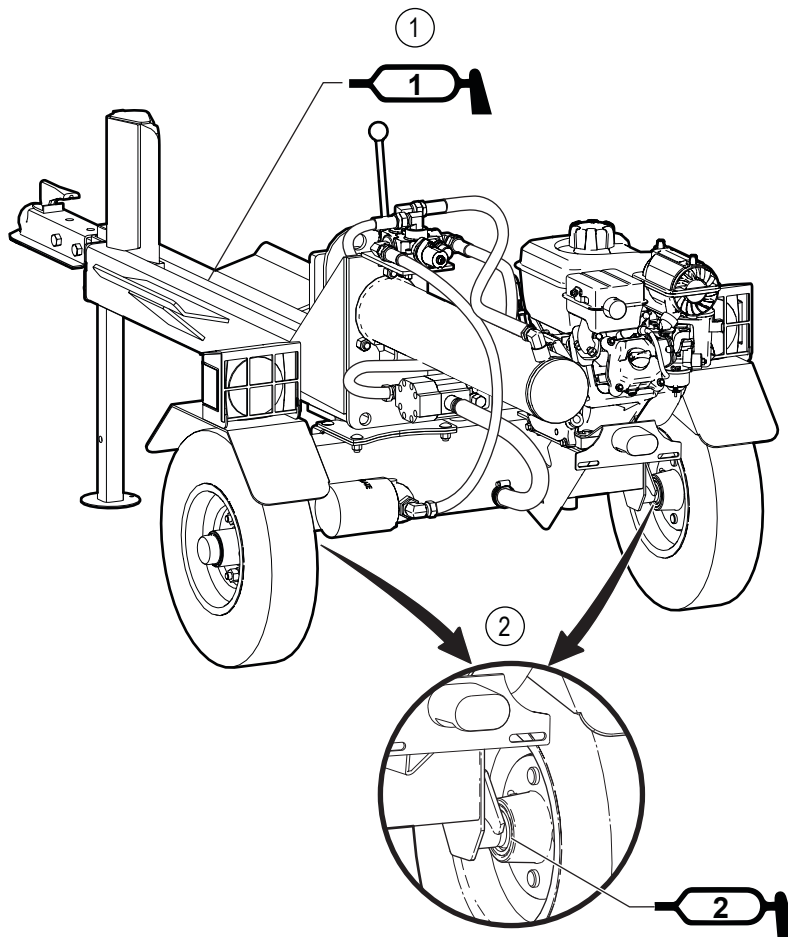


Figure 16—Grease points

9.5 Change the Hydraulic Fluid

Change the hydraulic fluid at 100 hours of operation or annually.

Hydraulic fluid type: **Dexron® III ATF**

CAUTION!



Risk of burns to exposed skin. Hydraulic fluid gets hot during operation, which makes hoses, lines, and other parts hot as well. Wait for the fluid and components to cool before starting maintenance or service.

The hydraulic tank drain plug is located under the machine. A 3/8" Allen (hex) wrench is required to remove it.

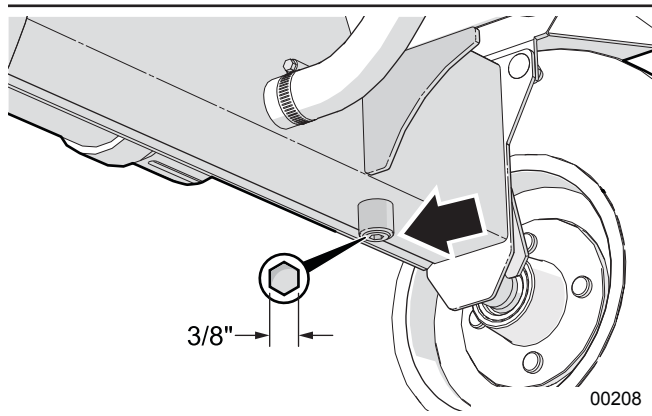


Figure 17—Hydraulic Tank Drain Plug

Procedure

1. Place a drain pan of suitable capacity under the drain plug.
2. Clean the area around drain and remove the drain plug.
3. Allow the fluid to fully drain, then flush the tank.
4. Replace the plug and fill the tank with clean fluid.
5. Dispose of used fluid in an environmentally safe manner.

9.6 Change the Hydraulic Fluid Filter

Change hydraulic fluid filter at 100 hours of operation or annually.

The filter is located on side of the hydraulic fluid tank.

CAUTION!



Risk of burns to exposed skin. Hydraulic fluid gets hot during operation, which makes hoses, lines, and other parts hot as well. Wait for the fluid and components to cool before starting maintenance or service.

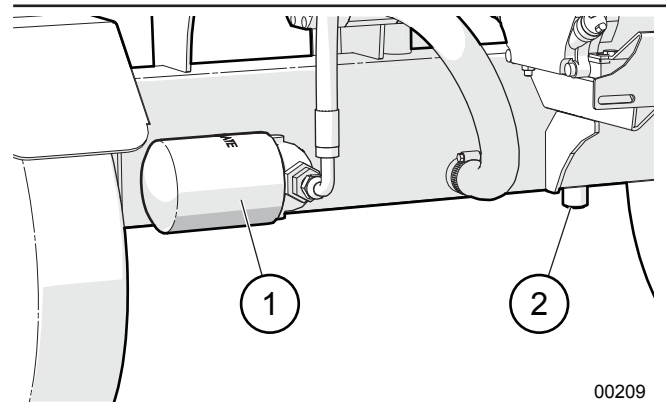


Figure 18—Hydraulic Filter

1. Hydraulic Filter
2. Drain Plug

Procedure

1. Place a drain pan of suitable capacity under the filter head.
2. Remove the oil filter. An oil filter wrench may be required.
3. Apply a light coat of clean oil to the seal on the new filter and install it. Tighten by hand only.
4. Run the machine for 1–2 minutes operating the cylinder. Check filter head for oil leaks.
5. If a leak is found, shut off the machine and correct it.
6. Check hydraulic reservoir oil level. Top up as required.
7. Dispose of spilled oil in an environmentally safe manner.

9.7 Engine Air Filter

IMPORTANT! Operating the engine without an air filter, or with a damaged air filter, can allow dirt to enter the engine, causing rapid engine wear. This type of damage is not covered by warranty.

Clean the air filter every 200 hours of operation or annually.

A dirty air filter can restrict air flow to the carburetor, reducing the engine performance. If the engine is operated in very dusty areas, clean the air filter more often than specified.

1. Turn the two air-filter cover fasteners to loosen them.
2. Remove the cover.
3. Remove the air filter.
4. Gently tap the air filter on a hard surface to loosen and remove dust and debris.
5. If the air filter is excessively dirty or damaged, replace it with a new air filter.
6. Install the air filter in the engine.
7. Install the cover.
8. Tighten the two air-filter cover fasteners.

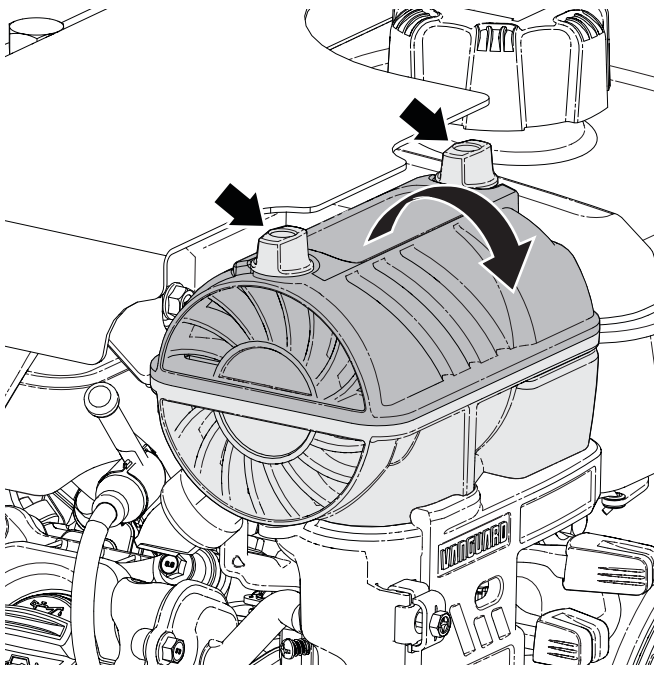


Figure 19—Engine air filter

9.8 Electrical System

(As equipped)

IMPORTANT! When assembling or replacing wire harnesses, apply a thin coating of silicone dielectric grease to the harness connectors.

Clean off any corrosion or loose particles, then apply a small amount to the surfaces of the connectors where they meet. The grease helps to stop any possibility of future corrosion.

Reassemble the connection. If grease squeezes out, wipe off with a rag or towel.

10. Troubleshooting

The following table lists some problems that may be encountered, with possible causes and solutions.

If a problem persists after reading through the Troubleshooting section, contact the local dealer, distributor or Wallenstein Equipment. Have the machine serial number ready.

Problem	Cause	Solution
Engine is difficult to start or performance is reduced	Engine fuel. Not all fuel is the same.	Change the fuel provider or brand.
Cylinder rod moves slowly or does not move. Screeching or hissing noise.	No hydraulic oil pressure.	Oil filter plugged. Change filter. Low hydraulic oil level. Add oil.
	Wood jammed around wedge.	System relief pressure setting too low. Call technician. Shut machine off and safely remove wood.
	Low engine speed.	Check throttle is set to maximum. Check that choke is off.
Control handle does not go to neutral after rod is fully retracted.	Valve detent set too tight.	Adjustment required to detent on valve.
	Hydraulic oil too cold.	Allow machine to warm up.
	Hydraulic fluid is contaminated.	Change hydraulic fluid and filter.
Control handle goes to neutral before rod is fully retracted.	Detent set too loose.	Adjustment required to detent on valve.
Control handle does not go to neutral when released.	Control may be damaged.	Control may need service or be replaced. Call technician.
Cylinder stops on contact with wood.	Second stage on pump not functioning.	Pump may need to be serviced or replaced. Call technician.
Wedge or push block jumps.	Wedge or push block frame jamming.	Lubricate slider wear plates.
Leaking hydraulic hose.	Hose worn or damaged.	Replace hose.
Leaking cylinder.	Seals worn.	Seal replacement may be required. Call technician.

11. Specifications

For engine specifications, see the engine manufacturer's manual.

For available accessories, go to WallensteinEquipment.com.

11.1 Machine Specifications¹

Model	WX520, WX520L	WX520T
Mounting	Trailer mounted	
Engine make and horsepower (displacement)	Vanguard® 6.5 hp (203 cc)	
Splitter cylinder Bore x stroke	4 x 24 in (10.2 x 61 cm)	
Splitting force	20 ton	
Valve type	Open center – Auto-return detent	
Hydraulic pump type	2-stage, Gear	
Hydraulic pump flow	11 gpm (47 Lpm)	
Bed height	19" (48 cm)	28" (71 cm)
Wedge height	9" (23 cm)	
Tire size	4.80 X 8	
Tire type	Highway	
Safety chains	Standard	
Ball hitch size	2"	
Splitter orientation	Horizontal only	
Tongue weight		46 lb (21 kg)
Average cycle time	6.62 seconds	
Full cycle time	13.24 seconds	
Weight	365 lb (166 kg)	375 lb (170 kg)
Dimensions (L x W x H)	72 x 42 x 36"	72 x 42 x 45"
	183 x 107 x 91 cm	183 x 107 x 114 cm

¹ Specifications are subject to change without notice.

11.2 Common Bolt Torque Values

Checking Bolt Torque

The tables shown give correct torque values for various bolts and capscrews. Tighten all bolts to the torque values specified in the table, unless indicated otherwise. Check tightness of bolts periodically.

IMPORTANT! If replacing hardware, use fasteners of the same grade.

IMPORTANT! Torque figures indicated in the table are for non-greased or non-oiled threads. Do not grease or oil threads unless indicated otherwise. When using a thread locker, increase torque values by 5%.



NOTE: Bolt grades are identified by their head markings.

Imperial Bolt Torque Specifications						
Bolt Diameter	Torque Value					
	SAE Gr. 2		SAE Gr. 5		SAE Gr. 8	
	lbf•ft	N•m	lbf•ft	N•m	lbf•ft	N•m
1/4"	6	8	9	12	12	17
5/16"	10	13	19	25	27	36
3/8"	20	27	33	45	45	63
7/16"	30	41	53	72	75	100
1/2"	45	61	80	110	115	155
9/16"	60	95	115	155	165	220
5/8"	95	128	160	215	220	305
3/4"	165	225	290	390	400	540
7/8"	170	230	420	570	650	880
1"	225	345	630	850	970	1320



SAE Gr. 2



SAE Gr. 5



SAE Gr. 8

Metric Bolt Torque Specifications				
Bolt Diameter	Torque Value			
	Gr. 8.8		Gr. 10.9	
	lbf•ft	N•m	lbf•ft	N•m
M3	0.4	0.5	1.3	1.8
M4	2.2	3	3.3	4.5
M6	7	10	11	15
M8	18	25	26	35
M10	37	50	52	70
M12	66	90	92	125
M14	83	112	116	158
M16	166	225	229	310
M20	321	435	450	610
M30	1,103	1 495	1,550	2 100



8.8



10.9

11.3 Hydraulic Fitting Torque

Tightening Flare Type Tube Fittings

1. Check flare and flare seat for defects that might cause leakage.
2. Align tube with fitting before tightening.
3. Hand-tighten swivel nut until snug.
4. To prevent twisting the tube, use two wrenches. Place one wrench on the connector body and tighten the swivel nut with the second. Torque to values shown.

If a torque wrench is not available, use the FFFT (Flats From Finger Tight) method.

Hydraulic Fitting Torque							
Tube Size OD	Hex Size Across Flats	Torque value		Flats From Finger Tight			
		Inches	Inches	lbf•ft	N•m	Flats	Turns
3/16	7/16			6	8	2	1/6
1/4	9/16			11–12	15–17	2	1/6
5/16	5/8			14–16	19–22	2	1/6
3/8	11/16			20–22	27–30	1-1/4	1/6
1/2	7/8			44–48	59–65	1	1/6
5/8	1			50–58	68–79	1	1/6
3/4	1-1/4			79–88	107–119	1	1/8
1	1-5/8			117–125	158–170	1	1/8

Values shown are for non-lubricated connections.

11.4 Wheel Lug Torque

It is extremely important safety procedure to apply and maintain proper wheel mounting torque on your trailer axle. Torque wrenches are the best method to assure the proper amount of torque is being applied to a fastener.

Wheel lugs should be torqued before first road use and after each wheel removal. Check and re torque after the first 10 miles (16 km), 25 miles (40 km), and again at 50 miles (80 km). Check periodically thereafter.

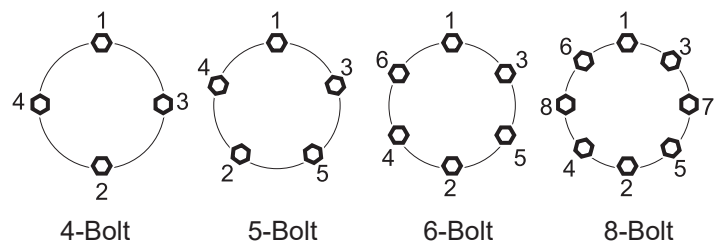
WARNING!

Wheel lug nuts must be installed and kept at the proper torque value to prevent loose wheels, broken studs, or possible separation of wheels from axle.

- Start all lug nuts onto the threads by hand.
- Tighten lug nuts in stages, following the pattern shown in the Wheel Lug Nut Torque table.

Wheel Lug Nut Torque				
Wheel Size	Units	1st Stage	2nd Stage	3rd Stage
8"	lbf•ft N•m	12–20 16–26	30–35 39–45.5	45–55 58.5–71.5
12"	lbf•ft N•m	20–25 26–32.5	35–40 45.5–52	50–60 65–78
13"	lbf•ft N•m	20–25 26–32.5	35–40 45.5–52	50–60 65–78
14"	lbf•ft N•m	20–25 26–32.5	50–60 65–78	90–120 117–156
15"	lbf•ft N•m	20–25 26–32.5	50–60 65–78	90–120 117–156
16"	lbf•ft N•m	20–25 26–32.5	50–60 65–78	90–120 117–156

Wheel Lug Torque Pattern



12. Product Warranty



Wallenstein products are warranted to be free of defects in materials and workmanship under normal use and service, for a period of

Five Years for Consumer Use

Two Years for Commercial/Rental Use

from the date of purchase, when operated and maintained in accordance with the operating and maintenance instructions supplied with the unit. Warranty is limited to the repair of the product and/or replacement of parts.

This warranty is extended only to the original purchaser and is not transferable.

Repairs must be done by an authorized dealer. Products will be returned to the dealer at the customer's expense. Include the original purchase receipt with any claim.

This warranty does not cover the following:

- 1) Normal maintenance or adjustments
- 2) Normal replacement of wearable and service parts
- 3) Consequential damage, indirect damage, or loss of profits
- 4) Damages resulting from:
 - Misuse, negligence, accident, theft or fire
 - Use of improper or insufficient fuel, fluids or lubricants
 - Use of parts or aftermarket accessories other than genuine Wallenstein parts
 - Modifications, alteration, tampering or improper repair performed by parties other than an authorized dealer
 - Any device or accessories installed by parties other than an authorized dealer
- 5) Engines. Engines are covered by the manufacturer of the engine for the warranty period they specify. For the details of your engine warranty, see your engine owner's manual. Information about engine warranty and service is also available in the FAQ section at www.wallensteinequipment.com

rev. Nov-2018

13. Index

	B			H
Before Starting the Engine.....		21	Hydraulic	
Bolt torque.....		36	Fluid	
Break-in.....		22	Specifications	30
	C		Hydraulic Fitting Torque	37
Checking Bolt Torque		36	Hydraulic Fluid – Adding.....	24
Choke control, engine		17	Hydraulic Fluid– Changing.....	32
Connecting a Tow Vehicle		27	Hydraulic Fluid Level Check.....	24
Controls.....		17	Hydraulic Fluid Type.....	24
Control Valve		18		I
Engine.....		17	Ignition Switch.....	17
Stroke Limiter Accessory		20	Informative Labels.....	6
Control Valve.....		18	Inspection checklist, dealer	4
	D		Introduction	3
Decal Information.....		6	Foreword.....	3
	E			L
Engine			Log Placement	26
Controls				M
Choke.....		17	Machine Components	16
Fuel shutoff.....		17	Machine Set-up.....	25
Rewind start		18	Machine Specifications	35
Throttle		17	Maintenance Decals.....	6
Fuel			Maintenance Schedule.....	30
Shutoff.....		17		O
Specifications		30	Oil	
Oil			Engine.....	29
Add.....		23	Operating Hints	26
Starter-cord handle		18	Operating Instructions	21
Engine Air Filter.....		33	Before Starting the Engine.....	21
Engine Controls			Engine Oil Level Check	23
Ignition Switch.....		17	Fuel Level Check	24
Engine Oil.....		29	Log Placement.....	26
Engine Oil Level Check.....		23	Machine Break-In.....	22
Equipment Safety Guidelines.....		9	Machine Set-up.....	25
	F		Operating Hints.....	26
Familiarization.....		15	Operating Safety.....	21
Job Site Familiarization.....		15	Pre-operation Checklist	22
Machine Components.....		16	Starting the Engine	25
To the New Operator.....		15	Stopping the Engine	25
Training.....		15		P
Fluid, hydraulic			Personal Protective Equipment (PPE).....	8
Specifications.....		30	Pre-operation	22
Fluids and Lubricants.....		29	Product Labels	6
Foreword			Putting Log splitter in Storage	
Delivery inspection report		4	Removing from Storage.....	28
Fuel, engine				R
Shutoff		17	Refueling	24
Specifications.....		30	Refueling Safety.....	9
Fuel Level – Checking.....		24	Replacing Damaged Safety Signs	14
	G			S
Gas Motor Safety		10	Safe Condition.....	9
Grease			Safety	7
Specifications.....		30	Equipment Safety Guidelines	9
Grease Points		31		

Gas Motor Safety.....	10
Hydraulic Safety.....	9
Maintenance Safety.....	29
Operating Safety.....	21
Personal Protective Equipment (PPE).....	8
Preparation	11
Refueling Safety	9
Safety Alert Symbol	7
Safety Do's and Don'ts	8
Safety Training.....	9
Signal Words	7
Tire Safety	9
Transport Safety	27
Safety Alert Symbol.....	7
Safety Notice Labels	6
Safety Sign Explanations	14
Safety Sign Locations	13
Safety Training	9
Serial Number Location.....	5
Service and Maintenance.....	29
Electrical System	33
Grease Points.....	31
Hydraulic Oil – Changing.....	32
Hydraulic Oil Filter – Changing.....	32
Maintenance Schedule	30
Shutoff, engine fuel	17
Sign-off form.....	12
Specifications.....	35
Common Bolt Torque Values	36
Fluid, hydraulic.....	30
Fuel, engine	30
Grease.....	30
Hydraulic Fitting Torque	37
Machine Specifications	35
Wheel Lug Torque.....	37
WX520T.....	35
WX520, WX520L	35
Splitter Operation	
Before Starting the Engine.....	21
Engine Oil Level Check	23
Fuel Level Check.....	24
Hydraulic Oil Level Check.....	24
Machine Break-In.....	22
Pre-operation Checklist	22
Starter-cord handle, engine.....	18
Stopping in an Emergency	25
Storing the Log splitter	28
Stroke Limiter Accessory.....	20
Setting Stroke Limiter	20
T	
Throttle control, engine	17
Transporting	27
Connecting a Tow Vehicle.....	27
Prepare for Transport.....	27
Troubleshooting Guide.....	34
W	
Wheel Lug Torque	37



MAKING WORK FEEL MORE LIKE PLAY™

WallensteinEquipment.com

