



BAUMALIGHT™

CP560 And CP572 Brush Cutter

OPERATOR'S MANUAL

Issue Date: January 2023

TABLE OF CONTENTS

1 INTRODUCTION	1
1.1 Overview	1
1.2 Intended Use And Foreseeable Misuse	2
2 SAFETY	3
2.1 Safety Alert Symbol And Safety Words	3
2.2 Operational Hazards	3
Prepare for Emergencies	4
Replace Safety Signs	4
Do Not Allow Riders	4
Lower Operating Speed	4
Avoid Rollover	5
Avoid Powerlines & Underground Utilities	5
Detach Cutter Safely	5
Hazards From Modifying Equipment	5
2.3 Maintenance Hazards	7
3 SAFETY SIGNS	8
4 OPERATION	10
4.1 Preparation For Use	10
4.2 Remove Skid	10
4.3 Driveshaft Dimension	11
4.4 Machine Components	12
4.5 Attach To Tractor	12
4.6 Transporting	13
4.7 First Time User Tips	13
4.8 Field Operation	13
4.9 Detach From Tractor	14
5 SERVICE AND MAINTENANCE	15
5.1 Maintenance	15
5.2 Inspections	15
5.3 Every Two Hours	16
5.4 Every Eight Hours	16
5.5 Replace Blades	17
5.6 Squaring Blades	17
5.7 Slip Clutch Tension	18
6 TROUBLESHOOTING	19
7 STORAGE	20
7.1 Storing Brush Cutter	20
7.2 Removing Brush Cutter From Storage	20
7.2.1 SLIP CLUTCH	20
BAUMALIGHT ATTACHMENT WARRANTY	21

1 INTRODUCTION

1.1 Overview

Congratulations on your choice of a Baumalight 3-Point Brush Cutt to complement your brush cutting operation. This equipment has been designed and manufactured to meet the needs of a discriminating buyer for efficient brush cutting.

The unique blade design reduces the brush to mulch. Controlling the brush cutter is done completely from the tractor providing the ability for precise control and all day operator comfort.

Tractor must have suitable safety equipment properly installed.

Safe, efficient and trouble free operation of your Brush Cutt requires that you and anyone else who will be operating or maintaining the Brush Cutt, read and understand the Safety, Operation, Maintenance and Troubleshooting information contained within the Operator's Manual.

This manual covers the Baumalight PTO Brush Cutt. Use the Table of Contents as a guide to locate required information.

Keep this manual handy for frequent reference and to pass on to new operators or owners. Call your Baumalight dealer, distributor or the factory if you need assistance, information or additional copies of the manuals.

OPERATOR ORIENTATION - The directions left, right, front and rear, as mentioned throughout this manual, are as seen from the tractor driver's seat and facing in the direction of travel.

1.2 Intended Use And Foreseeable Misuse

The cutter is designed to be used by an experienced operator. Operator must be trained in the safe operation of a tractor and hazards related to using the brush cutter and the safe use of the brush cutter for the intended purpose. Operators will require personal protective equipment to reduce the risk from some hazards that cannot be completely eliminated or controlled by the design of the cutter.

Care is required to ensure that the brush cutter will not come in contact with metallic objects, stones or other materials.

Brush cutters are not designed for use in hazardous atmospheres where there is a risk of fire or explosion due to flammable gases or vapors. Use in hazardous, explosive atmospheres is prohibited. Serious injury or death of the operator or bystanders may be caused if cutter is misused. Misuse may also cause damage to the machine carrying the cutter.

2 SAFETY

2.1 Safety Alert Symbol And Safety Words

You must read, understand and follow the instructions given by the operating unit manufacturers, as well as the instructions in this manual.

The safety information in this manual is denoted by the safety alert symbol:



This symbol means ATTENTION! BECOME ALERT! YOUR SAFETY IS INVOLVED!

The level of risk is indicated by the following signal words:


 DANGER
DANGER - Indicates a hazardous situation, which, if not avoided, WILL result in death or serious injury.


 WARNING
WARNING - Indicates a hazardous situation, which, if not avoided, could result in death or serious injury.


 CAUTION
CAUTION - Indicates a hazardous situation, which, if not avoided, could result in minor or moderate injury.

NOTICE
NOTICE - Indicates a situation that could result in damage to the equipment or other property.

2.2 Operational Hazards

 WARNING
Prevent death or serious injury.
Read and understand this manual before operating cutter.
Always stop engine and remove key before leaving operators seat.
Never allow anyone near the cutter during operation.
Travel at a safe speed.

 WARNING
Prevent death or serious injury from moving parts.
Moving parts can crush and dismember.
Do not operate without guards and shields in place.
Disconnect and lockout power source before adjusting or servicing.

 WARNING
Use cutter only for the designed applications.
Any other use may result in personal injury, damage to equipment and may void the warranty.



WARNING

Prevent death or serious injury.

Verify cutter is locked to tractor hitch before operation or transport.



WARNING

Protect from flying debris.

Wear proper safety glasses, goggles, or a face shield to protect from flying debris.



WARNING

Prevent serious injury or death.

It is recommended that the operating unit be equipped with a forestry guard to protect the operator.

Carefully read all safety messages in this manual and on equipment safety signs. Keep safety signs in good condition and replace missing or damaged safety signs.

New equipment components and repair parts must include the current safety decal.

Learn how to properly operate equipment. NEVER operate or work around this equipment without proper instruction, while fatigued or under the influence of alcohol, prescription or non-prescription medication or if feeling ill.

Keep your equipment in proper working condition. Know the regulations and laws that apply to you and your industry. This manual is not to replace any regulations or laws. Additional information may be found at: www.asae.org or www.osha.gov. If you do not understand any part of this manual, contact Baumalight at 866-820-7603.

Prepare for Emergencies

- Be prepared in case of emergencies.
- Keep a fire extinguisher and first aid kit close to the machine.
- Keep emergency phone numbers close to your phone.
- Know your address so emergency services can locate you if an emergency arises.

Replace Safety Signs

- Replace missing or damaged safety signs.
- Safety signs are identified in Section 3 of this manual.
- Replacement safety signs are available from your Baumalight dealer.

Do Not Allow Riders

- NEVER lift or carry anyone on cutter.
- NEVER use cutter as a work platform.
- NEVER allow passengers on cutter.

Lower Operating Speed

Keep cutter low and move at slow speeds on rough or uneven terrain.

Lower operating speed while operating in heavy conditions.

Avoid Rollover

The equipment may rollover, resulting in death or serious injury. To help prevent rollover:

- Travel at a slow speed.
- Avoid sharp turns & sudden movement on slopes.
- Carry cutter close to the ground.
- Avoid holes, ditches and other obstructions which may cause equipment to rollover.
- Balance load so weight is evenly distributed and load is stable.
- Use caution when operating on slopes and do not operate on excessively steep slopes.
- Do not exceed load capacity of equipment.

Avoid Powerlines & Underground Utilities

DANGER

Prevent electrocution.

Death or serious injury can result if equipment comes near or contacts power lines.

Electrocution can occur without direct contact.

- Check clearance before raising equipment.
- Have local utilities locate and mark underground wires, cables, pipelines and other hazards before operation.

DO NOT leave the operator's seat if any part of the equipment contacts electric lines or cables.

Detach Cutter Safely

Detach cutter on a firm and level surface. Be sure people, livestock and pets are clear of machinery.

Raised Attachment

WARNING

Crushing hazard.

Raised, unsupported cutter can fall, resulting in death or serious injury.

Never enter the area under a raised cutter.

A raised cutter can lower unexpectedly, resulting in death or serious injury.

NEVER enter area under a raised cutter.

Lower cutter to ground, engage parking brake, shut off engine and remove key before servicing.

Hazards From Modifying Equipment

Do not make any alterations to your cutter. Altering may cause your equipment to be unsafe and may void the manufacturers' warranty.

Avoid Loud Noise



WARNING

Prolonged exposure to loud noise can cause impairment or loss of hearing.

Wear a suitable hearing protective device such as earmuffs or earplugs to protect against objectionable or uncomfortable loud noises.

Stay Clear Of Rotating Driveshaft



WARNING

Entanglement in a rotating driveshaft can cause serious injury or death.

Keep tractor shields and driveshaft shields in place at all times. DO NOT operate without driveshaft shields.

DO NOT wear loose fitting clothing.

Avoid Wood Dust Inhalation



WARNING

Drilling, sawing, sanding or machining wood products can expose you to wood dust, a substance known to the State of California to cause cancer.

Avoid inhaling wood dust or use a dust mask or other safeguards for personal protection. For more information go to www.P65Warnings.ca.gov/wood.



WARNING

Wear an approved dust mask or respirator.

Follow local, state and federal regulations.

2.3 Maintenance Hazards

Before servicing, park machine on a firm and level surface, set parking brake and place a “Do Not Operate” tag on control panel. Read and understand this manual. If you do not understand any part of the manual, contact Baumalight at 866-820-7603.

Always wear face and/or eye protection, safety shoes, and other protective equipment appropriate for the job.

Do not make unauthorized modifications. Contact Baumalight at 866-820-7603. Before you weld, cut/drill holes, or make any other modifications.

Always use Baumalight replacement parts.



WARNING

Moving parts can crush and cut.

Keep clear of moving components.

Follow lockout procedure before servicing.



WARNING

Crushing hazard.

Before performing inspections, service or maintenance:

Park machine on firm, level surface.

Engage parking brake.

Turn engine off and remove key.

Place “Do Not Operate” tag on control panel.



WARNING

Entanglement hazard.

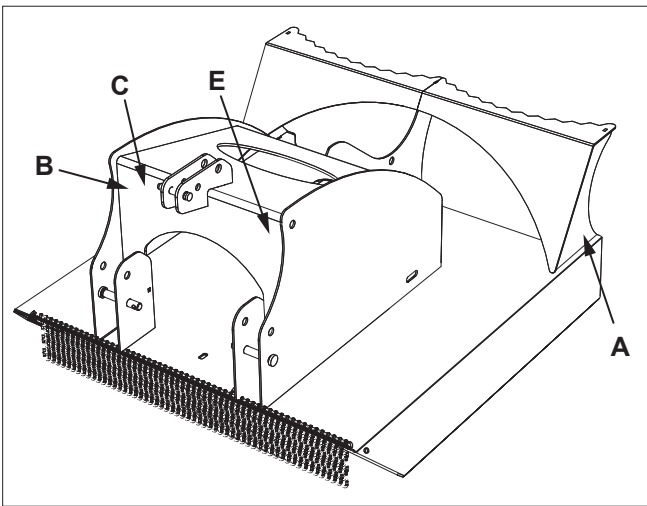
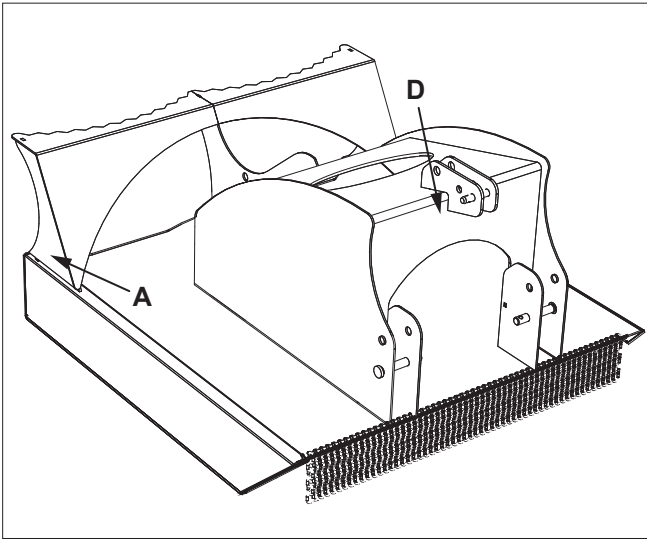
Keep clear of moving components.


Wear proper protective equipment appropriate for the job.

3 SAFETY SIGNS


The two and four panel safety decals are pictorial and have a yellow background. The panel with a triangle indicates the potential hazard. The panel without a triangle indicates how to avoid the hazard.

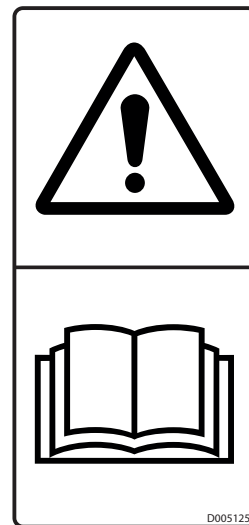
If any of the decals are missing, are damaged, or if you do not understand the decal, please contact your dealer.



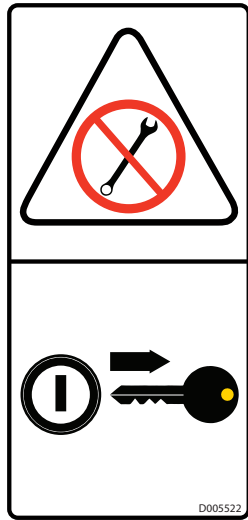
- A. D005255  WARNING - Rotating blade hazard. Keep back 75 m while machine is operating. Wait for blade to stop before approaching machine.



- B. D005252  WARNING - Read and understand safety signs on the machine and operating instructions in this manual before operating machine.



C. D005521 ⚠ WARNING - Remove key before servicing.

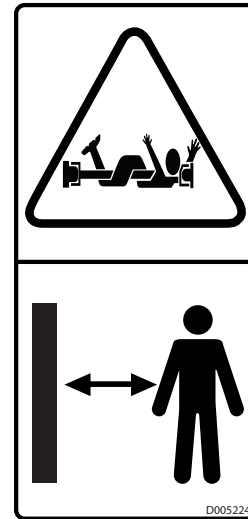


D. D005262 ⚠ WARNING - P65 warning information.

! **WARNING:** This product can expose you to chemicals including 1,3-Butadiene and lead, which are known to the state of California to cause cancer and birth defects or other reproductive harm. For more information go to www.P65Warnings.ca.gov.

D005262

E. D005336 ⚠ WARNING - Rotating driveshaft. Entanglement hazard. Keep away from driveshaft while it is rotating.



4 OPERATION

4.1 Preparation For Use

Although the cutter has been carefully inspected and checked prior to shipment from manufacturer, it is recommended that the unit be thoroughly inspected.

Check all bolts for tightness and remove all shipping tags, bags, skids, and blocking.


Remove any masking materials affixed during painting. Inspect equipment to verify that nameplates and all safety warning, caution signs and decals provided with the equipment are in place and clearly visible.

Visually inspect the cutter before each start up. Check for loose or missing parts and any damage that may have occurred during moving or shipping.

Review all tractor pre-start instructions, and ensure that all recommended steps and procedures have been followed.

4.2 Remove Skid

If cutter is shipped on a skid, it will be in a vertical position and must be lowered to horizontal position before use.

 WARNING
Crushing hazard.
Use adequate lifting devices to lower cutter to working position.
Never enter the area under a raised cutter.

Always keep the weight of the cutter in mind.

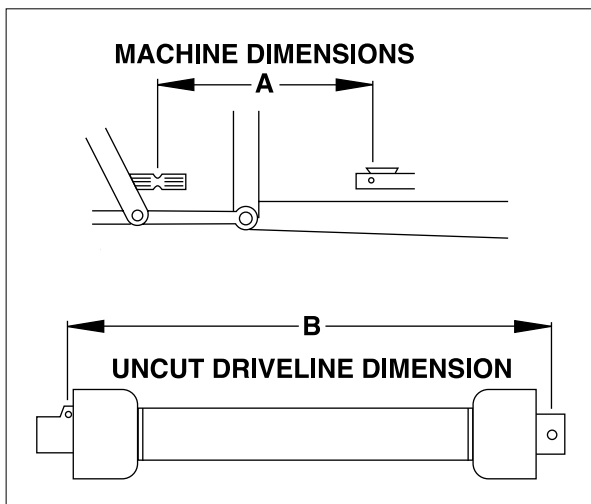
Never position body in line of impact or under cutter.

4.3 Driveshaft Dimension

To accompany the variety of 3 point hitch geometry available today, the driveshaft can be too long for most machines or too short for others. It is very important that the driveshaft be free to telescope but not to bottom out when going through its working range. If the driveshaft bottoms out, the bearings on both the machine and tractor PTO shaft will be overloaded and fail in a short time.

To determine the proper length of the driveshaft, follow this procedure:

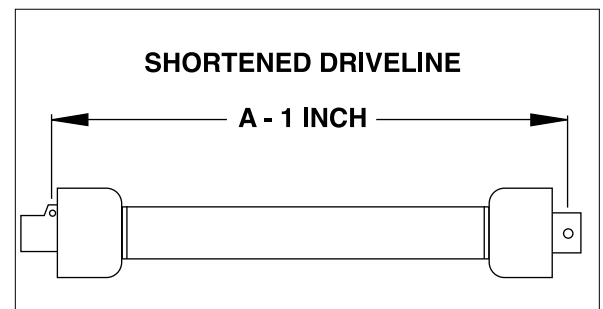
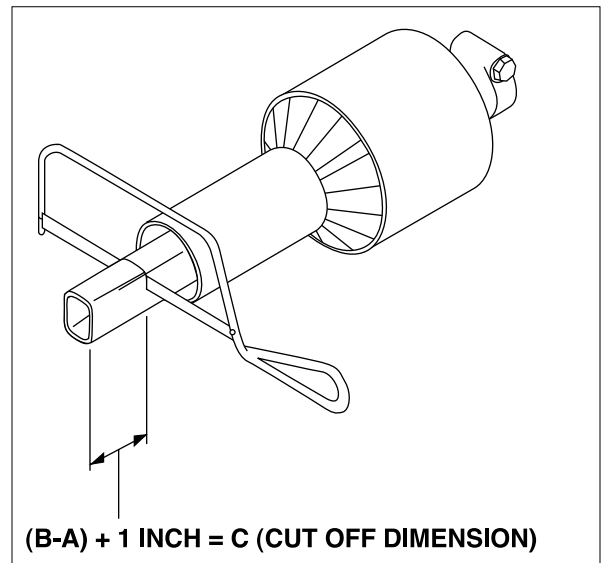
1. Attach brush cutter to tractor but do not attach driveshaft.
2. Raise cutter until the input shaft is level with tractor PTO shaft.
3. Measure dimension (A) between locking grooves on tractor PTO shaft and cutter input shaft.
4. Measure same dimension (B) on compressed driveshaft.



5. If compressed driveshaft dimension (B) exceeds the machine dimension (A), driveshaft must be cut.

When cutting driveshaft, follow this procedure:

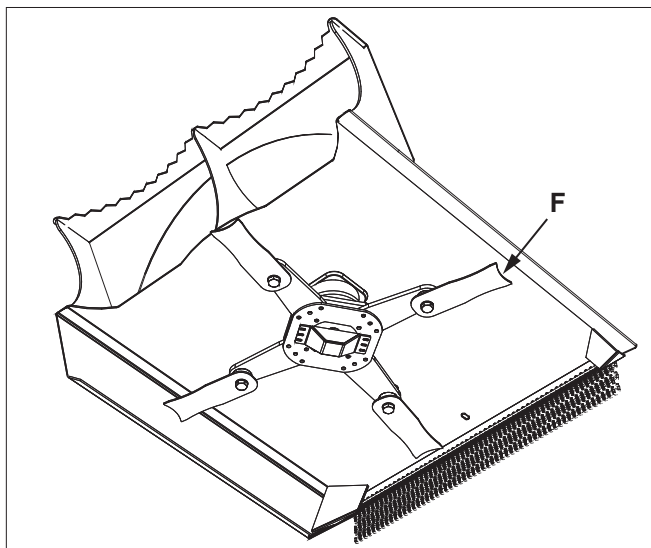
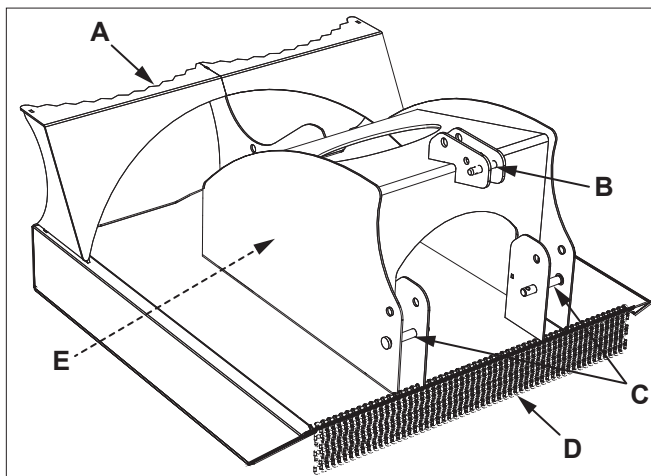
1. Subtract machine dimension (A) from uncut driveshaft dimension (B). This dimension determines how much too long the driveshaft is.
2. Add 1 inch (25 mm) to the dimension to be sure it doesn't bottom out, to determine cut off dimension (C).
3. Use a hacksaw to cut dimension (C) from both ends. Cut both plastic tubes and metal cores.



4. Use a file to remove burrs from cut edges.
5. Assemble shaft.
6. Make sure shaft can telescope freely. If it does not, separate and inspect for burrs or cuttings on shaft ends. Be sure it telescopes freely before installing.

4.4 Machine Components

- A. Brush Guard
- B. 3-Point Top Link
- C. 3-Point Lift Points
- D. Debris Guard
- E. Gearbox
- F. Blades



4.5 Attach To Tractor

WARNING

To prevent injury or machine damage put transmission in “Park”.

Check the full range of hitch for interference, binding or PTO separation.

Never position yourself between tractor and cutter.

Only experienced and properly trained operator may operate tractor and cutter.

1. Read and follow all safety instructions.
2. Back up tractor to brush cutter with hitch points approximately in alignment.
3. Engage tractor park brake and/or place transmission in park.
4. Shut off engine and remove key.
5. Attach lower links to cutter and retain using lock pins.
6. Align top link with hole in top of frame and retain with pin and lock pin.
7. Pull PTO shaft collar back toward cutter.
8. Align splines and push drive shaft onto tractor PTO shaft until it snaps into place. Pull back on shaft to make sure it is locked in place.
9. Attach safety shield chain.
10. Adjust top link so brush cutter lower frame is vertical to ground.
11. Move to a clear open area to test functions.

4.6 Transporting

1. Verify all reflectors and Slow Moving Vehicle (SMV) sign are visible.
2. Verify PTO is disengaged.
3. Raise cutter to fully raised position.
4. Travel at a reasonable and safe speed.

4.7 First Time User Tips

Operate all functions in a clear area with tractor at low speed to get a good feel for the controls before you actually move into any brush.

Choose low density brush and move into it slowly, do not expect to get the first area done fast.

Operate with cutter slightly raised until you have a better feel how much the unit can take.

Use push bar to push brush or small trees over and allow cutter teeth to contact lower portion of brush and mulch it or cut it off. The rest of the plant will be mulched as the machine moves through the working area.

Each operator must experiment to find a technique that works for them in their application.

Although it is best to mulch when it is dry, the machine works well in wet conditions. However, you must travel slower to do the same quality mulching. It will also be necessary to clean the machine more frequently to prevent clogging.



WARNING

Always stop engine and remove key before leaving operators seat.

4.8 Field Operation



WARNING

Prevent serious injury or death caused by unexpected movement:

1. Park tractor on a level surface.
2. Lower cutter to ground.
3. Engage tractor parking brake.
4. Shut off engine and remove key.



WARNING

Entanglement in a rotating driveshaft can cause serious injury or death.

Keep tractor shields and driveshaft shields in place at all times. DO NOT operate without shields and guards.

DO NOT wear loose fitting clothing.



WARNING

Never operate brush cutter when other people are in the vicinity.

Debris can be thrown from cutting area.

Keep all shields and guards in place.

Do not allow riders on tractor.

 **WARNING**

Drilling, sawing, sanding or machining wood products can expose you to wood dust, a substance known to the State of California to cause cancer.

Avoid inhaling wood dust or use a dust mask or other safeguards for personal protection. For more information go to www.P65Warnings.ca.gov/wood.

 **WARNING**

Wear an approved dust mask or respirator.

Follow local, state and federal regulations.

1. Inspect work area to verify there are no rocks, metal or other debris before cutting.
2. Attach cutter to tractor. See Attaching/ Detaching in this section.

 **WARNING**

Prevent serious injury or death.

It is recommended that the operating unit be equipped with a forestry guard to protect the operator.

1. Lower cutter so skid plates are on ground.
2. Set engine speed to low idle and engage cutter.
3. Slowly increase engine speed to high idle.
4. Verify cutter is operating smoothly and start travel.
5. If cutter stalls, stop movement, slightly raise cutter and allow rotor to regain speed. Slow ground speed to prevent further stalling.

 **WARNING**

Moving parts can crush and cut.

Keep clear of moving components.

Lockout operating unit before clearing jams.

 **WARNING**

Moving parts can crush and cut.

Keep clear of moving components.

Lockout operating unit before clearing jams.

4.9 Detach From Tractor

 **WARNING**

Prevent death or serious injury caused by unexpected movement:

1. Park tractor on a level surface.
2. Lower cutter to ground.
3. Engage tractor parking brake.
4. Shut off engine and remove key.

1. Park tractor on a level surface.
2. Lower cutter to the ground.
3. Shut off engine and remove key.
4. Disconnect driveshaft safety chain.
5. Support driveshaft and pull collar back toward cutter. Slide driveshaft off of shaft.
6. Remove lock pin and pin.
7. Place top link in storage position.
8. Remove lock pins and pins from both lower links.

5 SERVICE AND MAINTENANCE

5.1 Maintenance

Maintenance Chart		
General Inspection	Inspect the unit for any buildup of contamination (dirt, stones, etc.).	Daily
Cutting Blades	Check blades for wear and damage.	Every 2 hours.
Gearbox Oil	Change gear box oil. Use 90W gear oil. Capacity is 1.5 qt (1.5 L).	Every 2000 hours.

5.2 Inspections

⚠ WARNING

Prevent serious injury or death caused by unexpected movement:

1. Park tractor on a level surface.
2. Engage tractor park brake.
3. Disengage PTO.
4. Shut off engine and remove key.

⚠ WARNING

Drilling, sawing, sanding or machining wood products can expose you to wood dust, a substance known to the State of California to cause cancer.

Avoid inhaling wood dust or use a dust mask or other safeguards for personal protection. For more information go to www.P65Warnings.ca.gov/wood.

⚠ WARNING

Wear an approved dust mask or respirator.

Follow local, state and federal regulations.

Inspect the unit for any buildup of contamination (dirt, stones, etc.).

Check cutting teeth every 4 hours of use. Keep cutting teeth in good condition. Unit will cut faster and remaining teeth will last longer if broken teeth are replaced.

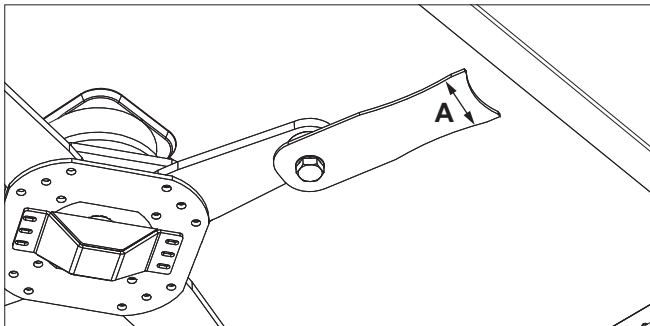
5.3 Every Two Hours

1. Lower cutter to ground.
2. Set parking brake, stop engine and remove key.
3. Inspect blades for wear and damage. Replace blades when worn to 3 in. (76 mm) minimum width (A). As an option, blades can be re-squared with a grinder. See section 5.6 for blade squaring procedure.

If blades need replacing, see section 5.3 for blade replacement procedure.

Operating with dull or worn blades may result in:

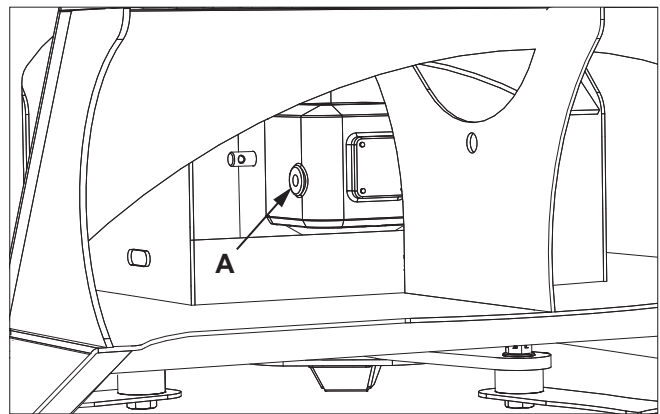
- Slip clutch failure.
- Extreme blade bolt wear.
- Blade bar fatigue, cracking and total failure.
- Blade fatigue, cracking and total failure.
- Deck fatigue and cracking.
- Increased amount of discharge or debris.
- Poor cutting.



4. Inspect blade attachment hardware for worn, damaged or missing hardware. Install new blade hardware as needed.

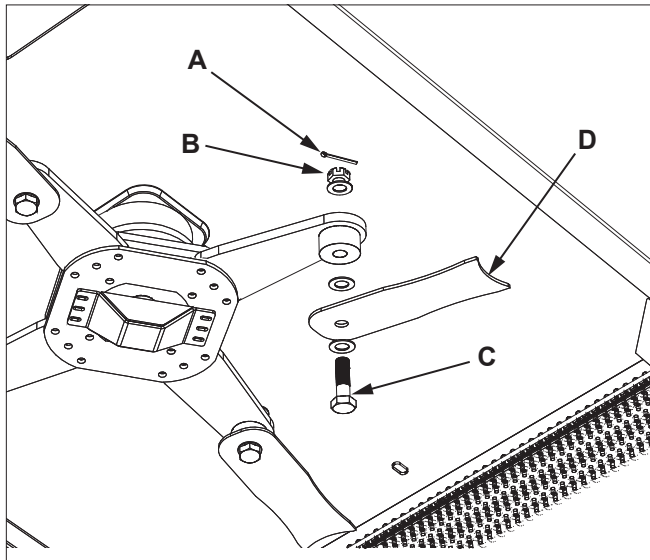
5.4 Every Eight Hours

1. Lower cutter to ground.
2. Set parking brake, stop engine and remove key.
3. Pump grease into driveshaft fittings until adequately lubricated.
4. Remove gearbox plug (A). Gearbox oil level should be up to bottom of hole. Add 90W gear oil if low. Install plug (A).



5.5 Replace Blades

1. Lower cutter to ground.
2. Set parking brake, stop engine and remove key.
3. Inspect blades for damage.
4. Replace blades in pairs. Replacing only one blade can cause cutter to be out of balance.
5. Remove cotter pin (A), nut (B), bolt (C) and blade (D).
6. Install new blade (D), bolt (C), washers and nut (B).
7. Tighten nut (B) until snug, but blade swings freely.
8. Install cotter pin (A) through nut (B) and bolt (C). Bend cotter pin ends over to secure.



5.6 Squaring Blades

NOTICE

Prevent equipment damage.

Do not overheat blade when grinding.

1. Lower cutter to ground.
2. Set parking brake, stop engine and remove key.

Do not overheat blade. Allowing grinder to stop or rest in one spot will cause the material to overheat. Blade will turn blue if overheated. An overheated blade must be replaced.

The outer 1.5 in. (38 mm) of the blade is where all cutting takes place. This point of contact and the blade bevel must be maintained.

Always remove equal amount of blade material from the paired blades.

Blades must be kept within 2 oz. (57 g) of each other or cutter may vibrate. Always keep blades in the same pairs as removed from the cutter.

5.7 Slip Clutch Tension



WARNING

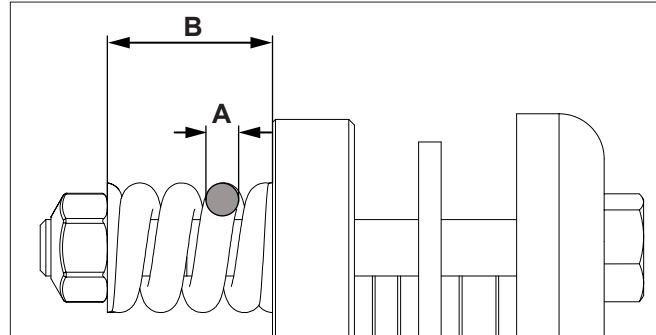
Entanglement in a rotating driveshaft can cause serious injury or death.

Disconnect and lockout power source before adjusting or servicing.



CAUTION

Slip clutch may be hot. Wait for clutch to cool before adjusting or servicing.



Bondioli Driveshafts

4-Disk 120 Hp 1,000 rpm

- OEM Part Number
 - 71R8121UCKR80V6
- Dimension A - 0.236 in. (6 mm)
- Dimension B - 1.12 in. (28.5 mm)

4-Disk 165 Hp 1,000 rpm

- OEM Part Number
 - CSHN086U2R100W8
- Dimension A - 0.275 in. (7 mm)
- Dimension B - 1.14 in. (29 mm)

Binacchi Drivehafts

2-Disk 68 Hp 540 rpm

- OEM Part Number
 - B6140EA60255
 - B6N121USA60255
 - B6D121US255001
- Dimension A - 0.236 in. (6 mm)
- Dimension B - 1.1 in. (28 mm)

4-Disk 80 Hp 540 rpm

- OEM Part Number
 - B8N111USA60307
 - B8#140EA60307
- Dimension A - 0.275 in. (7 mm)
- Dimension B - 1.15 in. (29 mm)

6 TROUBLESHOOTING

PROBLEM	CHECK	SOLUTION
Blades do not spin.	Blades jammed.	Remove material from blades.
	Verify PTO driveshaft is connected.	Connect driveshaft to tractor.
	Slip clutch is slipping.	Remove material from blades.
Blades rotate slow or sluggish.	Slip clutch is slipping.	<ol style="list-style-type: none"> 1. Check to determine if slip clutch is hot. Use caution, clutch can be very hot! A hot clutch does NOT grip. 2. Slippage on clutch occurs if there is more power than the unit is rated for. A bigger tractor can be used if it is idled down. This will decrease the output power of the engine. 3. Travel slower to decrease strain on clutch. <p>Be careful when tightening tension setting on slip clutch as this could put excess strain on gear box.</p>
Tractor is not able to lift cutter.	Tractor is too small.	Use proper size tractor.
Excessive vibration.	Blades worn or missing.	Replace worn, broken or missing blades.
	Debris packed on blades.	Remove debris.

7 STORAGE

7.1 Storing Brush Cutter

1. Store cutter in a dry place.
2. Clean cutter thoroughly. Dirt and wood chips will draw moisture and cause rust.
3. Check condition of cutting teeth. Replace as necessary. (See Service and Maintenance section.)
4. Check for loose or missing hardware.
5. Paint parts as necessary.
6. Store PTO driveshaft off the ground.
7. Refer to slip clutch manufacturers manual for storage procedures.

7.2 Removing Brush Cutter From Storage

1. Review operator's manual and check adjustments.
2. Check gear box oil level. Add oil as necessary. (See Service and Maintenance section.)
3. If parts have been replaced, verify they run properly.
4. Refer to slip clutch manufacturers manual for startup procedures.

7.2.1 Slip Clutch



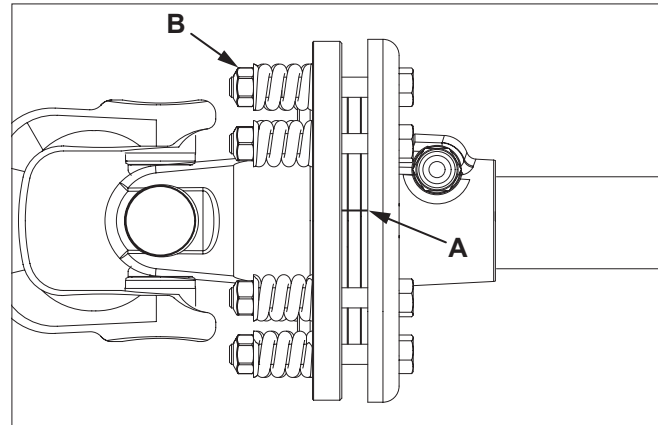
WARNING

Entanglement in a rotating driveshaft can cause serious injury or death.

Disconnect and lockout power source before adjusting or servicing.

1. Disengage tractor PTO. Shut off engine and remove key.
2. Using a marker, scribe a line (A) across the exposed edges of the clutch plate and friction discs.

3. Loosen each compression nuts (B) exactly two revolutions to free clutch friction discs.



4. Start tractor and run driveshaft at a low idle to slip the friction discs. This will remove the dirt, corrosion and surface floss from clutch plate faces.
5. Disengage tractor PTO. Shut off engine and remove key.
6. Inspect the clutch and ensure that the scribed markings on the disc and plates have changed position. If any two marks are still aligned is an indication that these discs have not slipped. Repeat steps 4-5.
7. After ensuring all discs are free, tighten the compression nuts (B) uniformly, exactly two revolutions to reset the clutch to original pressure.

BAUMALIGHT ATTACHMENT WARRANTY

This product is warranted to be free of defects in materials and workmanship under normal use and service, for a period of one year from the date of purchase. This warranty covers parts and labor, but does not cover misuse, negligence or dealer travel time.

Replacement of individual parts vs. assemblies are at the discretion of the manufacturer.

Baumalight products purchased new must be registered for warranty at <https://baumalight.com/support/product-registration>.

Warranty claims must include the bill of sale to the original purchaser.

This product must be operated and maintained in accordance with the Operating and Maintenance Instructions supplied with this unit.

Under no circumstances will the manufacturer be liable for any consequential damage or expense of any kind, including loss of profits. The manufacturer is under no circumstances liable for carrier unit damage of any kind. The manufacturer is not liable for the maintenance of the product.

This warranty is extended only to the original purchaser and there never is any warranty on anything sold through auction.

Units are to be returned at the customer's expense to the nearest Authorized Service Center. Damage in transit is not covered by warranty.

The work may be performed by the end user, if they are a qualified mechanic.

The Manufacturer's Liability is limited to repair of the product and/or replacement of parts and is given to the purchaser in lieu of all other remedies including incidental and consequential charges. There are no warranties, expressed or implied other than those specified herein. For the nearest Authorized Service Center call the manufacturer.

Model Number: _____ S/N: _____

Date of Purchase: _____ Owner's Name _____

MTB MFG INC.
CORPORATE HEADQUARTERS
4575 Powell Rd.,
Wallenstein, Ontario Canada
N0B 2S0
Phone - 519.698.9864
Toll Free - 866.820.7603
Fax - 519.698.1087
www.baumalight.com

