

ERSKINE[®]
ATTACHMENTS LLC

www.erskineattachments.com
800.437.6912

UTILITY DIGGING BACKHOE

SKID STEER ATTACHMENT

**TAKE IT UNDER
GROUND...**



Dig deep with the Utility Digging Backhoe. This skid steer digger backhoe reaches 6 feet deep with a single arm and hydraulically controlled bucket. Use it for trenching or other productive digging work.

FEATURES

- Optional mechanical thumb
- Hardened bushing inserts
- AR400 bucket plates
- Greaseable pin points
- Powerful cylinder pushes bucket into the toughest earth
- 6 bucket options to choose from (sold separately)

800.437.6912

ERSKINE[®]
ATTACHMENTS LLC

ERSKINE[®]
ATTACHMENTS LLC

www.erskineattachments.com

800.437.6912

UTILITY DIGGING BACKHOE

SKID STEER ATTACHMENT



Shown with the 24" ditching bucket.



Greaseable pin points for easy maintenance.

Model	DB240
Part Number	901070
Bucket Cylinder	2.5" x 16"
Digging Depth	6'
Shipping Weight (without bucket)	350 lb.

Options
Bucket 9"
12"
15"
18"
24"
Ditching Bucket 24"
Mechanical Thumb
Factory Installed Couplers



800.437.6912

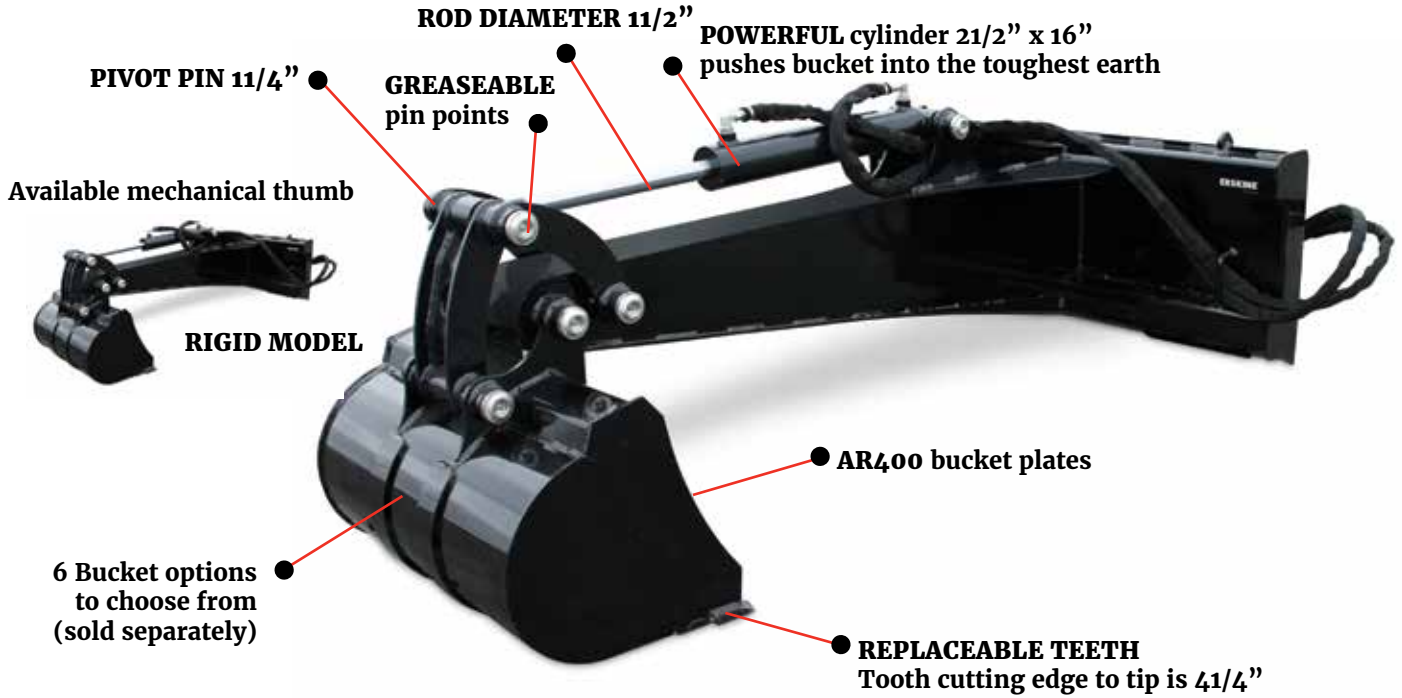
ERSKINE[®]
ATTACHMENTS LLC

ERSKINE[®]
ATTACHMENTS LLC

www.erskineattachments.com
800.437.6912

UTILITY DIGGING BACKHOE

SKID STEER ATTACHMENT



Easy-to-operate with excellent visibility.



Reliable & Dependable

800.437.6912

ERSKINE[®]
ATTACHMENTS LLC