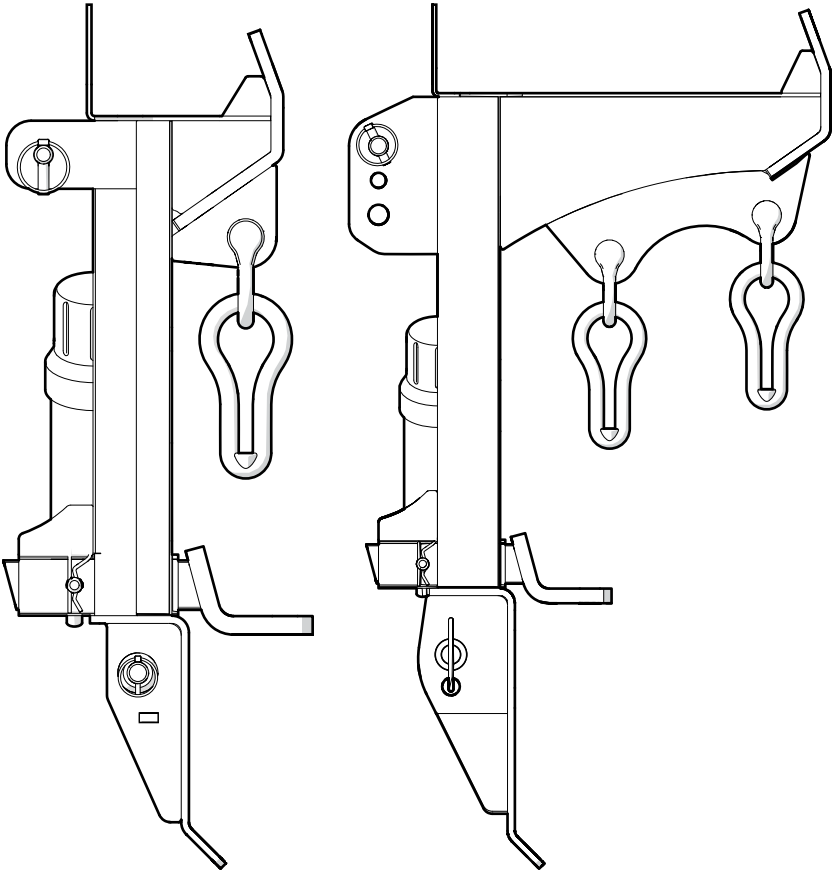


# OPERATOR'S MANUAL

---

## FXP Series Skidding Plate



# 1. Foreword

## 1.1 Introduction

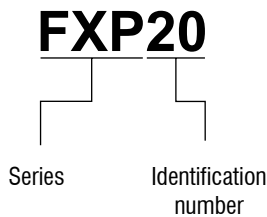
### Congratulations on your choice of a Wallenstein skidding plate!

FXP Series skidding plates are designed to raise the front-end of logs off the ground. This reduces damage to the bark and trails, and creates a pivot axis for tighter turns (similar to towing a trailer).

This manual applies to the following FXP Series models:

Model	Engine range	Number of saddle-grab hooks	Mounting system
FXP20	Up to 40 hp (30 kW)	1	Cat I
FXP30	Up to 80 hp (60 kW)	2	Cat I or Cat II

### Model Configuration



Safe, efficient and trouble-free operation of this Wallenstein product requires that anyone using or maintaining the product reads and understands the Safety, Operation, and Maintenance information contained within this Operator's Manual.

Units of measurement in Wallenstein Equipment technical manuals are written as: US Customary (SI metric).

Keep this manual handy for frequent reference and to pass on to new operators or owners. Call your Wallenstein dealer or distributor if you need assistance, information, or additional copies of the manuals.

Wallenstein Equipment Inc. • © 2021. All rights reserved.

No part of this work may be copied, reproduced, replaced, distributed, published, displayed, modified, or transferred in any form or by any means except with the prior permission of Wallenstein Equipment Inc.

### **WARNING!**

**Avoid the risk of personal injury or equipment damage! Read the operator's manual before using this equipment. Carefully read all safety messages in the manual and follow all safety signs on the equipment.**

W093



[www.wallensteinequipment.com](http://www.wallensteinequipment.com)

## Table of Contents

<b>1. Foreword .....</b>	<b>2</b>
1.1 Introduction .....	2
1.2 Delivery Inspection Report.....	4
1.3 Serial Number Location .....	5
1.4 Types of Decals on the Equipment.....	6
<b>2. Safety .....</b>	<b>7</b>
2.1 Safety Alert Symbol .....	7
2.2 Signal Words .....	7
2.3 Why SAFETY is important.....	7
2.4 Safety Rules .....	8
2.5 Equipment Safety Guidelines .....	8
2.6 Safe Condition .....	9
2.7 Sign-Off Form .....	10
2.8 Safety Signs.....	11
2.9 Replacing Damaged Safety Signs .....	12
<b>3. Familiarization.....</b>	<b>13</b>
3.1 To the New Operator .....	13
3.2 Operator Orientation .....	13
3.3 Training.....	13
3.4 Work Site Familiarization .....	13
3.5 Equipment Condition .....	13
3.6 Skidding Plate Components .....	14
<b>4. Installation.....</b>	<b>15</b>
4.1 Attaching to a Tractor .....	15
4.2 Removing from a Tractor.....	16
4.3 Ball-mount Hitch .....	16
<b>5. Operating Instructions .....</b>	<b>17</b>
5.1 Pre-start Checks .....	17
5.2 Equipment Break-In .....	17
5.3 Attaching a Log.....	17
5.4 Skidding Logs .....	19
5.5 Rough Terrain.....	19
5.6 Tractor gets Stuck.....	19
<b>6. Service and Maintenance.....</b>	<b>20</b>
6.1 Maintenance Safety .....	20
6.2 Maintenance Schedule .....	20
6.3 Storage .....	20
6.4 Transport .....	21
<b>7. Specifications .....</b>	<b>22</b>
7.1 Equipment Specifications .....	22
7.2 Common Bolt Torque Values.....	23
<b>8. Product Warranty.....</b>	<b>24</b>
<b>9. Index .....</b>	<b>25</b>

## 1.2 Delivery Inspection Report

### Wallenstein FXP Series Skidding Plate

To activate the warranty, register your product at: [www.wallensteinequipment.com](http://www.wallensteinequipment.com)

This form must be filled out by the dealer, and then signed by the dealer and customer at the time of delivery.

The product manuals have been received by me and I have been thoroughly instructed as to the care, adjustments, safe operation, and applicable warranty policy.

I have thoroughly instructed the customer about the equipment care, adjustments, safe operation, applicable warranty policy, and reviewed the manuals.

_____	_____
Customer	Dealer
_____	_____
Address	Address
_____	_____
City, State/Province, ZIP/Postal Code	City, State/Province, ZIP/Postal Code
(        )	(        )
_____	_____
Phone Number	Phone Number
_____	
Contact Name	
_____	
Model	
_____	
Serial Number	
_____	
Delivery date	

### Dealer Inspection Report

\_\_\_\_\_ All components are attached and in good condition.

\_\_\_\_\_ All fasteners are tight.

#### Safety Checks

\_\_\_\_\_ All safety sign decals are applied and in good condition.

\_\_\_\_\_ A hitch and lynch pin are installed through each hitch point.

\_\_\_\_\_ Operating and safety instructions reviewed.

### 1.3 Serial Number Location

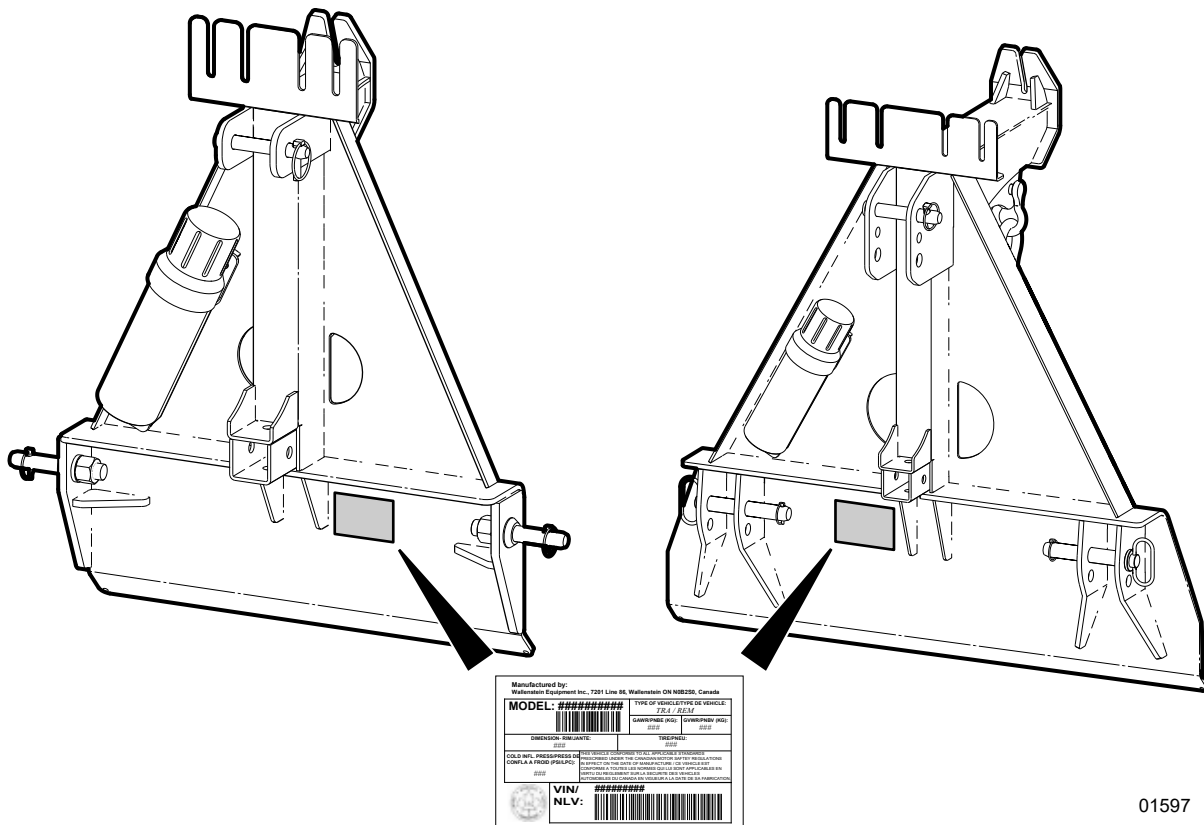
Always provide the model and serial number of your Wallenstein product when ordering parts or requesting service or other information. This information is found on the serial number plate shown in the illustration below.

**Record product information in the spaces provided for future reference.**

Record Product Information Here	
Model:	
Serial Number:	

**FXP20**

**FXP30**



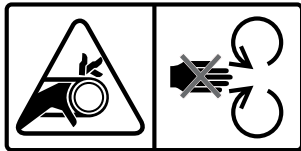
01597

**Fig. 1 – Serial Number Plate Location**

# 1.4 Types of Decals on the Equipment

When getting familiar with the Wallenstein product, notice that there are decals located on the equipment. There are different types of decals for safety, information, and product identification. The following section explains what they are for and how to read them.

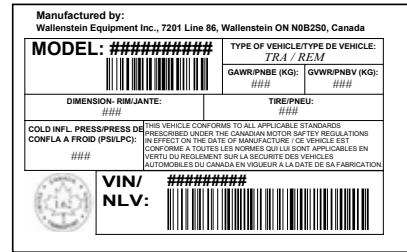
**Safety Sign Decals** have a yellow background and are generally two panel. They can be either vertical or horizontal.



**Safety Notice Decals** are pictorial with a blue background and generally rectangular with single or multiple symbols. This example decal informs users what personal protective equipment is required for safe operation.



**Product Decals** indicate the equipment model and serial number, and other important information.



See the section on safety signs for safety decal definitions. For a complete illustration of decals and decal locations, download the parts manual for your equipment at [www.wallensteinequipment.com](http://www.wallensteinequipment.com).

## 2. Safety

### 2.1 Safety Alert Symbol

This symbol means:

**ATTENTION! BE ALERT!  
YOUR SAFETY IS INVOLVED!**

The Safety Alert Symbol identifies important safety messages on the Wallenstein product and in the manual.

When you see this symbol, be alert to the possibility of personal injury or death! Follow the instructions in the safety message.



### 2.2 Signal Words

The signal words **DANGER**, **WARNING** and **CAUTION** determine the seriousness level of the warning messages in this manual. The appropriate signal word for each message in this manual has been selected using the following guidelines:

#### **DANGER –**

Indicates an imminently hazardous situation that, if not avoided, **will** result in death or serious injury. This signal word is to be limited to the most extreme situations typically for equipment components which, for functional purposes, cannot be guarded.

#### **WARNING –**

Indicates a potentially hazardous situation that, if not avoided, **could** result in death or serious injury, and includes hazards that are exposed when shields are removed. It may also be used to alert against unsafe practices.

#### **CAUTION –**

Indicates a potentially hazardous situation that, if not avoided, **may** result in minor or moderate injury. It may also be used to alert against unsafe practices.

**IMPORTANT** – To avoid confusing equipment protection with personal safety messages, the signal word **IMPORTANT** indicates a situation that, if not avoided, could result in damage to the equipment.

### 2.3 Why SAFETY is important

- Accidents Disable and Kill
- Accidents Cost
- Accidents Can Be Avoided




**YOU** are responsible for the SAFE operation and maintenance of your Wallenstein Skidding Plate. **YOU** must make sure that anyone who is going to use, maintain or work around the skidding plate is familiar with the operating and maintenance procedures, and related **SAFETY** information contained in this manual.


Remember, **YOU** are the key to safety. Good safety practices not only protect you, but also the people around you. Make these practices a working part of your safety program. Be certain that **EVERYONE** using this equipment is familiar with the recommended operating and maintenance procedures and follows all the safety precautions. Most accidents can be prevented.

**Do not risk injury or death by ignoring good safety practices.**

## 2.4 Safety Rules

Safety is a primary concern in the design and manufacture of Wallenstein products. Unfortunately, efforts to provide safe equipment can be wiped out by a single careless act.

- It is the operator's responsibility to read, understand and follow ALL safety and operation instructions in this manual. 
- The operator of this skidding plate must be a responsible, properly trained and physically able person familiar with the equipment and trained in the operation of a tractor. Learn the controls and how to stop the tractor quickly in an emergency before working with the skidding plate.
- An employer has the responsibility to train employees how to operate the equipment they are using. When someone does not understand the basic operation of a piece of equipment, they can create dangerous situations very quickly. Operators must completely understand:
  - Safety section of this manual
  - Safety decals on the equipment
  - Tractor operator's manual
- If this equipment is used by any other person, loaned or rented, it is the owner's responsibility to make certain that prior to using it, every operator is fully trained.
- Review safety related items annually with all personnel who will be operating the equipment or performing maintenance.
- Keep a first-aid kit available for use should the need arise and know how to use it. 
- Have a fire extinguisher available for use should the need arise and know how to use it. 
- Never consume alcohol or drugs when operating this equipment. Alertness or coordination can be affected. Consult your doctor about using this equipment while taking prescription medications.
- Always wear PPE when operating, servicing, or maintaining the equipment. Hard hats, protective glasses, protective shoes, gloves, reflector type vests and ear protection are types of PPE that may be required.
- Avoid loose fitting clothing, loose or uncovered long hair, jewelry, and loose personal articles. These can get caught in moving parts.

- Prolonged exposure to loud noise may cause permanent hearing loss! Power equipment with or without equipment attached can often be noisy enough to cause permanent, partial hearing loss. 

- Wear hearing protection on a full-time basis if the noise in the operator's cab exceeds 80 dB. Noise over 85 dB on a long-term basis can cause severe hearing loss. Noise over 90 dB adjacent to the operator on a long-term basis may cause permanent, total hearing loss.
- Keep bystanders at least 20 ft (6 m) from the equipment or logs during operation.
- Complete the **Pre-start Checks** before starting work (see *page 17*).
- Do not risk injury or death by ignoring good safety practices.

## 2.5 Equipment Safety Guidelines

- Place the equipment in a Safe Condition before performing any service, maintenance, storage preparation, or hooking up (for instructions, see *page 9*).
- Replace any safety sign or instruction sign that is not readable or is missing. Location and explanation of safety signs start on *page 12*.
- Make sure that the following components are in good condition and not worn or damaged. Replace damaged components.
  - Anchor shackle(s)
  - Saddle-grab hook(s)
  - Pins (toplink, hitch, lynch, and implement)
- Before using the equipment, check the condition of the choker chain, logging tongs, synthetic choker, or other items used to attach logs to the skidding plate. A damaged chain, tongs, or synthetic choker can break and cause serious injury or equipment damage. Replace damaged items.
- Do not modify the equipment in any way. Unauthorized modification may result in serious injury or death and may impair the function and life of the equipment.
- Always skid up a slope. Do not skid across or down a slope.
- Do not allow riders on the equipment at any time. There is no safe place for any riders.
- Do not exceed a safe travel speed when skidding.
- When using a tractor, make sure that it is equipped with a full complement of suitcase weights on the front frame or a front end loader for added stability.
- Never exceed the limits of the equipment if its ability to do a job, or to do it safely is in question.



## 2.6 Safe Condition

References are made to **safe condition** throughout this manual. What this means is, parking the equipment in a manner that makes it safe to load, service, maintain, or store.

**Complete the following to place the equipment in a Safe Condition before loading, performing any service, maintenance work, or storage preparation:**

1. Stop the tractor.
2. Set the parking brake.
3. Lower the skidding plate to the ground.
4. Turn the tractor engine off.
5. Remove the ignition key and keep it with you.
6. Block the tractor wheels.
7. Make sure that all motion is stopped.

## 2.7 Sign-Off Form

Anyone using this equipment must read and thoroughly understand all of the Safety, Operation, and Maintenance information in this manual. An untrained operator should never use this equipment.

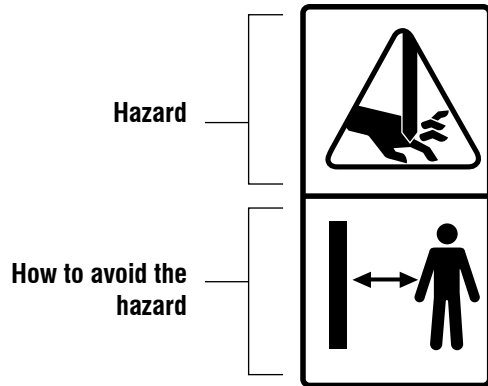
To help document this training, the sign-off sheet provided below can be used.

Make periodic review of Safety and Operation a standard practice for all operators. Review it again at the start of every season.

Sign-off Form		
Date	Owner	Employee

## 2.8 Safety Signs

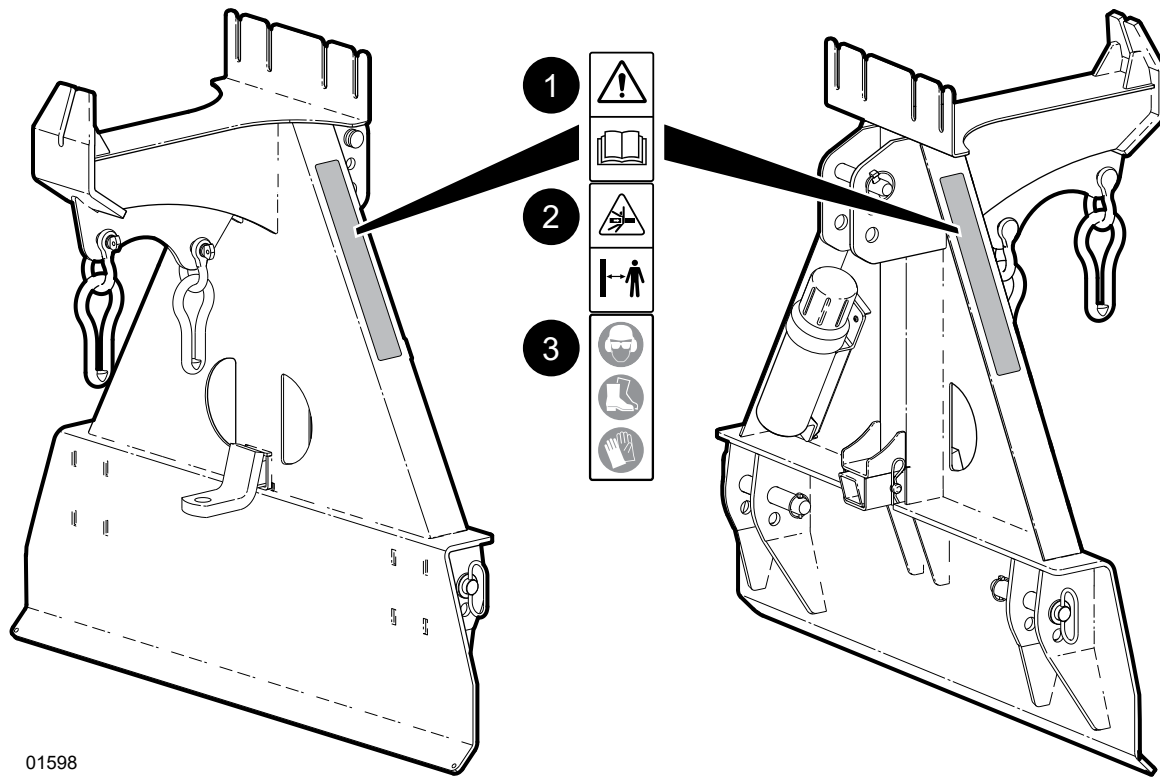
The top (or left-hand) panel on the decal shows the safety alert (the potential hazard), and the bottom (or right-hand) panel shows the message (how to avoid the hazard).



### 2.8.1 Safety Sign Locations

Practicing good safety means becoming familiar with safety signs and warnings and being aware of the situations that require alertness.

**Think SAFETY! Work SAFELY!**



01598

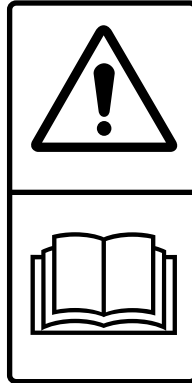
Fig. 2 – Safety Sign Locations

## 2.8.2 Safety Sign Explanations

### 1. Caution!

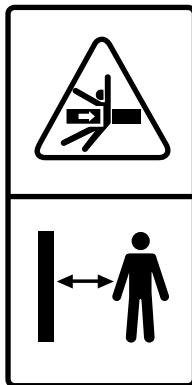
See the operator's manual. Read ALL operating instructions in the manual and learn the meaning of ALL safety signs on the equipment.

The best safety feature is an informed operator.



### 2. Caution!

Be aware of crush hazards from large moving objects.



### 3. Warning!

Always wear appropriate personal protective equipment when using this equipment. For example:

- A hard hat
- Heavy gloves
- Hearing protection
- Protective shoes with slip resistant soles
- Protective glasses, goggles or face shield



**IMPORTANT!** Safety signs must always be replaced if they become damaged, are removed, or become illegible.

Safety signs are included in the product decal kit available from your authorized dealer. Decals are not available separately.

## 2.9 Replacing Damaged Safety Signs

- Always replace safety signs that are missing or have become illegible. Replacement safety signs are available from your authorized distributor, dealer parts department, or the factory.
- Keep safety signs clean and legible at all times.
- Parts replaced that had a safety decal on them must also have the safety sign replaced.

### Procedure

Installation area must be clean and dry. Make sure the surface is free of grease or oil. Ambient temperature must be above 50 °F (10 °C).



*Determine exact position before removing the backing paper on the decal.*

1. Peel the decal off the backing sheet.
2. Align the decal with an edge on the machine if possible.
3. Starting on one edge, carefully press the center of the exposed sticky backing in place, smoothing it out as you work from one side to the other.
4. Use a squeegee, credit card or similar to smooth it out. Work from one end of the decal to the other end.

Small air pockets can be pierced with a pin and smoothed out using the piece of sign backing paper.

## 3. Familiarization

### 3.1 To the New Operator

It is the responsibility of the owner or operator to read this manual and to train all other operators before they start working with the skidding plate. Follow all safety instructions exactly.

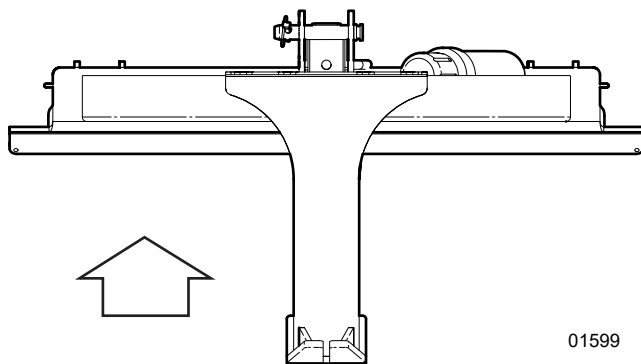
By following recommended procedures, a safe working environment is provided for the operator, bystanders, and the area around the work site. Untrained operators are not qualified to use the equipment.

### 3.2 Operator Orientation

---

**IMPORTANT!** When describing equipment use throughout this manual, the directions for left-hand, right-hand, backward, and forward, are determined when sitting in the tractor seat, facing the direction of forward travel.

---



**Fig. 3**—Orientation Direction of Travel

### 3.3 Training

Each operator must be trained in the correct set-up and operating procedures before operating the equipment.

1. Review control location, function, and movement directions.
2. Move the skidding plate to a large open area to allow the operator to become familiar with control function and equipment response.
3. After a new operator is familiar and comfortable with the equipment, they can proceed with the work. Do not allow untrained operators to use the equipment. They can endanger themselves and others or damage property.

### 3.4 Work Site Familiarization

Become familiar with the work site prior to beginning. Avoid the possibility of problems or accidents by reviewing the following:

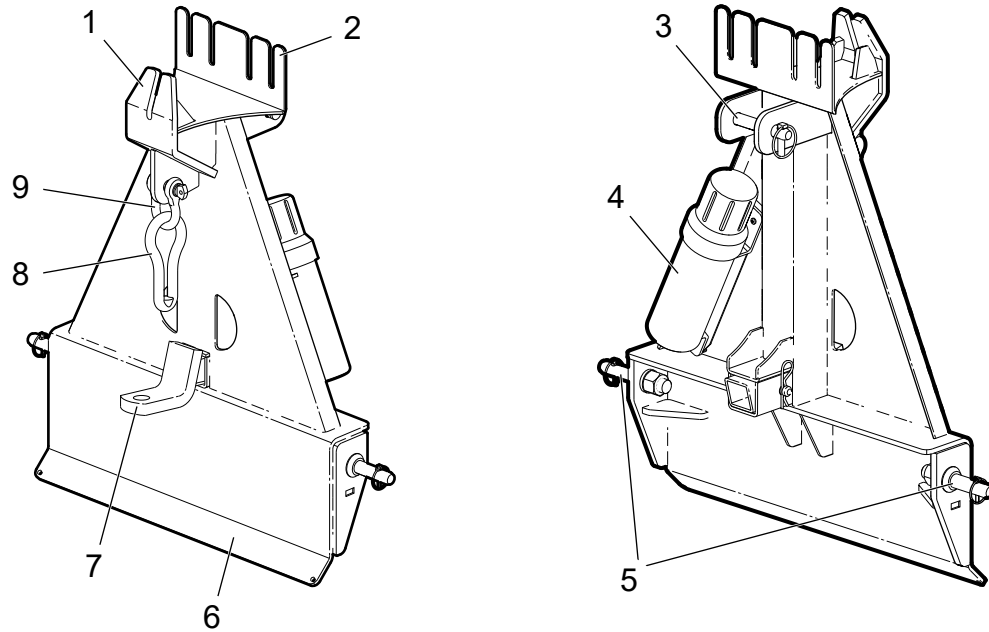
- Make sure that there is sufficient space and clearance to attach the log to the skidding plate.
- Organize the work area to minimize the skidding and transporting distances.
- Position the tractor so that the prevailing winds blow engine exhaust fumes away from the operator.

### 3.5 Equipment Condition

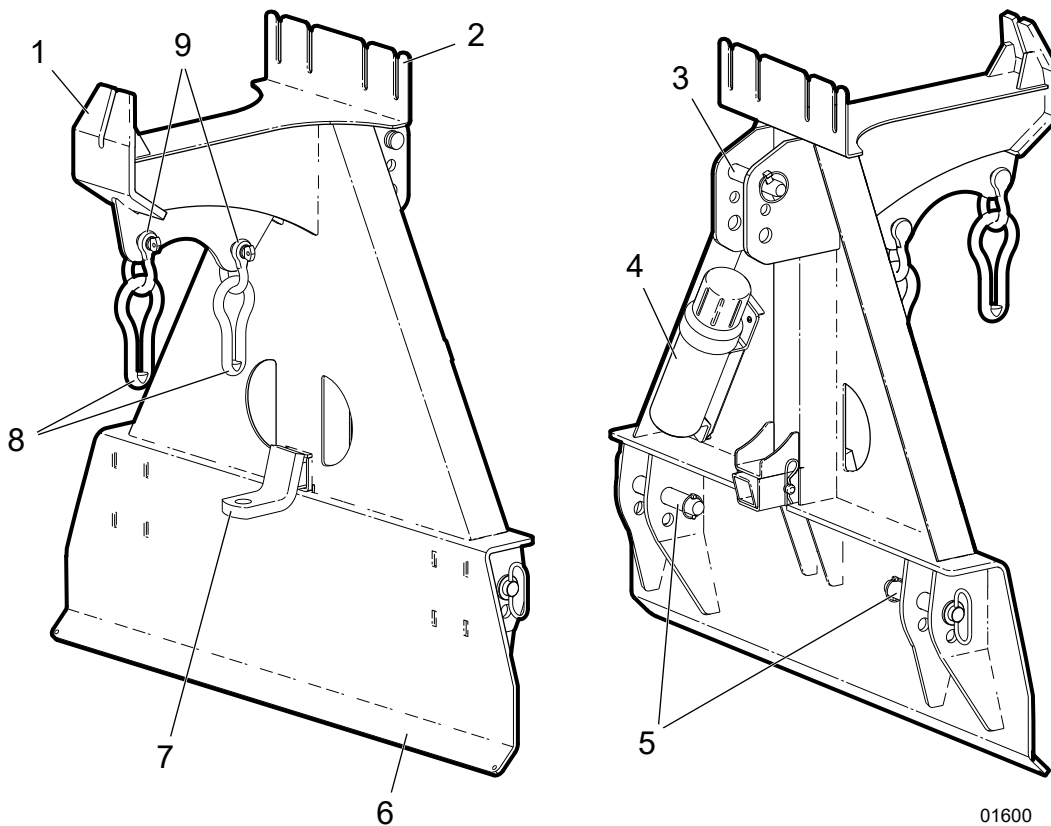
- Periodically check the general condition of the skidding plate.
- Before use, make sure that all the fasteners and removable components are present, secure, and in good condition.

### 3.6 Skidding Plate Components

#### FXP20



#### FXP30



01600

Fig. 4—Skidding Plate Components

- |                                |                         |
|--------------------------------|-------------------------|
| 1. Mast                        | 6. Main frame           |
| 2. Chain holder                | 7. Ball-mount hitch kit |
| 3. Toplink pin with lynch pin  | 8. Saddle-grab hook     |
| 4. Operator's Manual container | 9. Anchor shackle       |
| 5. Hitch pin with lynch pin    |                         |

## 4. Installation

### 4.1 Attaching to a Tractor

**IMPORTANT!** FXP Series skidding plates are not quick hitch compatible (including the iMatch™ quick-hitch).

- FXP20 model three-point hitch is Category I.
- FXP30 model three-point hitch is Category I and II.

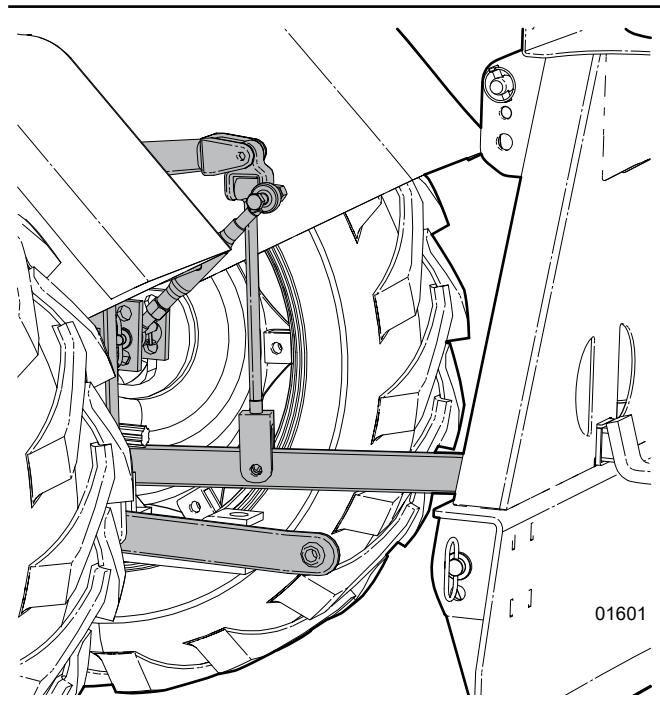
#### **WARNING!**

Never let anyone stand between the tractor and the implement during hitching. Too fast of an approach or the operator's foot slipping from the clutch can lead to injury or fatality to the person standing nearby.

W048

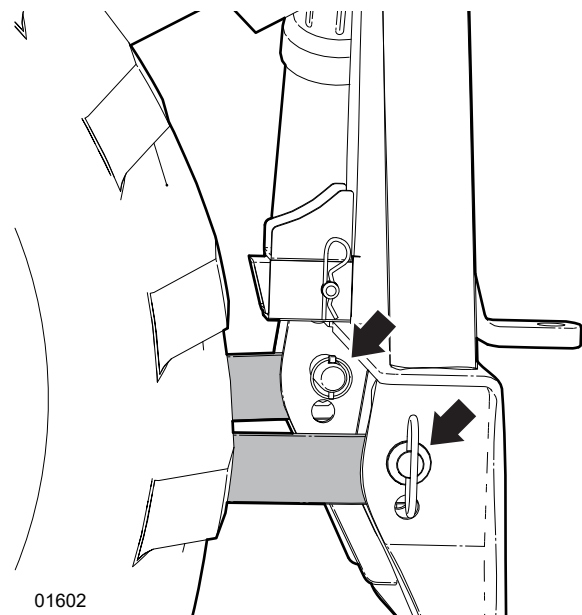
### Procedure

1. Make sure:
  - There is enough room and clearance to safely back the tractor up to the skidding plate.
  - The tractor and skidding plate are on level ground.
  - The tractor parking brake is applied and the engine is off.
2. Move the tractor drawbar for clearance, if required.
3. Retract and secure the topline, if required.
4. Loosen the stabilizers and move the tractor lift arms to the full sway position.
5. Remove the hitch and lynch pins from the skidding plate, as required.
6. At the slowest speed, reverse the tractor keeping it aligned with the skidding plate. While reversing, raise or lower the lift arms to align them with the skidding plate hitch pin (FXP20) or hitch-pin holes (FXP30).



**Fig. 5**—Align Tractor to Skidding Plate (model FXP30 shown)

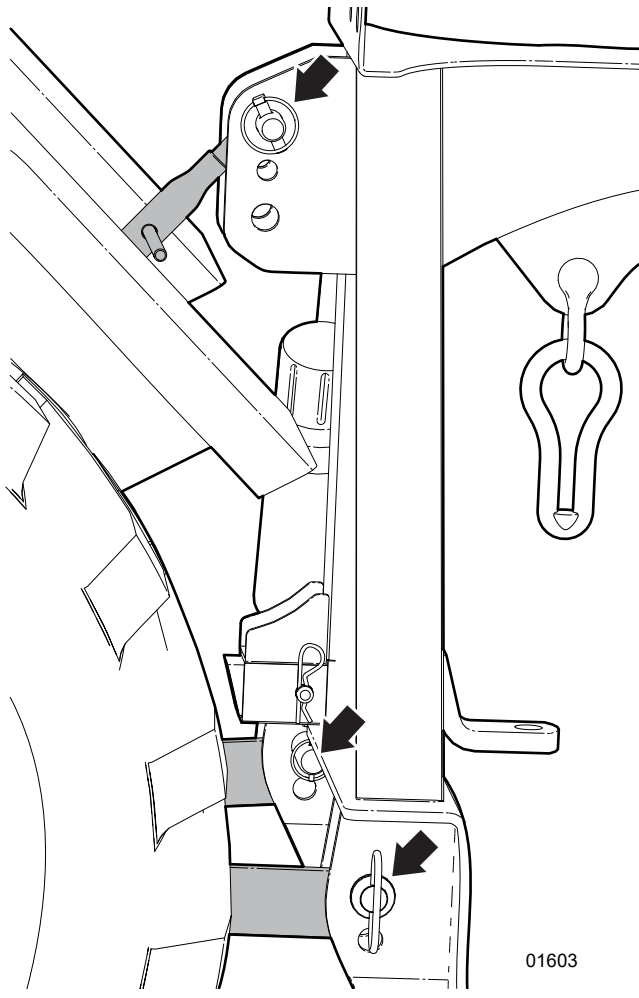
7. After the tractor is correctly aligned, apply the parking brake and turn off the engine.
8. On each side of the skidding plate, attach the tractor lift arm to the skidding plate. Make sure to insert the lynch pins.



**Fig. 6**—Hitch Pins Installed (model FXP30 shown)

**9. Install the topline:**

- Remove the skidding plate topline pin.
- Adjust the turnbuckle to align the topline hole with the skidding plate holes.
- Insert the topline pin through the skidding plate and topline holes, and then insert the lynch pin.
- Lock the turnbuckle.



**Fig. 7**—Skidding Plate Attached (model FXP30 shown)

- 10.** Adjust and tighten the lower lift-arm stabilizers to secure and level the skidding plate.
- 11.** Start the tractor, and then slowly raise the skidding plate off the ground.

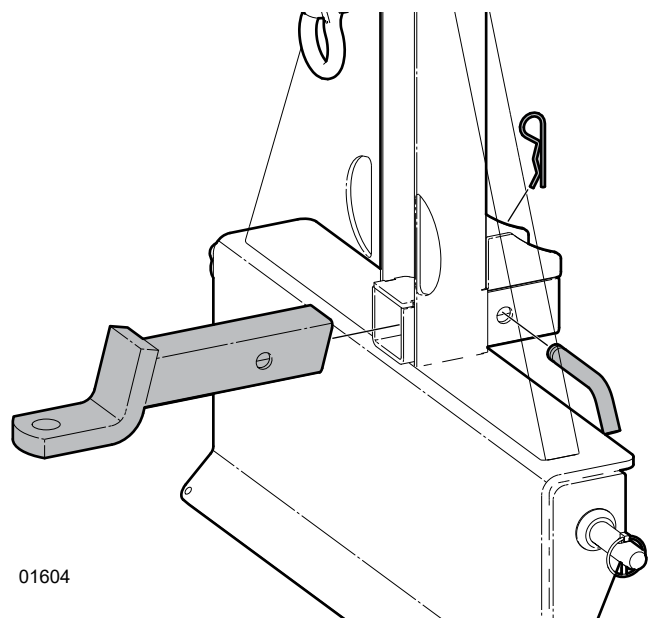
## 4.2 Removing from a Tractor

- 1.** Stop the tractor on level ground.
- 2.** Lower the skidding plate to the ground.
- 3.** Apply the parking brake and turn off the engine.
- 4.** If required, remove any logs and chains from the skidding plate.
- 5.** Remove the topline:
  - Remove the topline pin.
  - Adjust the topline to the storage length.
  - Lock the turnbuckle.
  - Insert the topline pin through the skidding plate topline holes, and then insert the lynch pin.
- 6.** On each side of the skidding plate, loosen the stabilizer and remove the lift arm from the skidding plate.
- 7.** Carefully, tip the skidding plate away from the tractor and lower it to the ground.
- 8.** Insert the hitch and lynch pins in the skidding plate, as required.
- 9.** At the slowest speed, drive the tractor forward, away from the skidding plate.

## 4.3 Ball-mount Hitch

FXP Series skidding plates include a heavy-duty ball-mount hitch that fits into the 2-inch square receiver.

Attach the ball-mount hitch using the implement pin, and then install the cotter pin to secure it.



**Fig. 8**—Ball-mount Hitch (model FXP20 shown)



## 5. Operating Instructions

The operator is responsible to be familiar with and follow all operating and safety procedures.

- Learn the basic skidding plate operation to prevent the chance of creating a dangerous situation with the load.
- When using the skidding plate, drive the tractor with care.

### 5.1 Pre-start Checks

Before using the skidding plate, complete the following pre-start checks.

The Pre-start Checklist is provided for both personal safety and to keep the skidding plate in good condition.

Pre-start Checklist	✓
Make sure that all the components are in place and secured as designed (see <i>page 14</i> ).	
Check and tighten all fasteners. Make sure the equipment is working properly and in good repair.	
Make sure that personal protective equipment including hard hat, safety glasses, safety shoes, safety vest, hearing protection and gloves are being used and in good repair.	
Make sure that loose fitting clothing or jewelry is not worn, and long hair is tied up.	

### 5.2 Equipment Break-In

Although there are no operational restrictions on the skidding plate when used for the first time, it is recommended that the following mechanical items be checked.

#### After 1–5 hours of operation:

1. Check that all nuts, bolts, and other fasteners are tight and in good condition. If required, tighten to the specified torque (for torque specifications, see *page 23*).
2. Check the condition of the choker chain, tongs, synthetic choker, or other item being used to attach logs to the skidding plate. Replace if it is worn or damaged.
3. Check for entangled material. Remove all entangled material before resuming work.

### 5.3 Attaching a Log

1. Attach one of the following items to a log:
  - Choker chain (for instructions, see *page 17*.)
  - Logging tongs (for instructions, see *page 18*.)
  - Synthetic choker (for instructions, see *page 18*.)
2. Extend the chain through the mast or a saddle-grab hook and secure it to the skidding plate. Do not leave slack between the log and the mast or saddle-grab hook.
3. Use the chain holder to secure the chain or synthetic choker to the skidding plate.

#### 5.3.1 Choker Chain

Choker chains are available as an accessory. For more information, contact an authorized dealer or Wallenstein Equipment.

1. Push the choker-chain rod end under the log.
2. Pull the choker chain around the log until the choker-chain hook end is at the top of the log.
3. Attach the choker-chain hook end to the opposite side of the choker chain.
4. Extend the choker-chain rod end to the skidding plate.

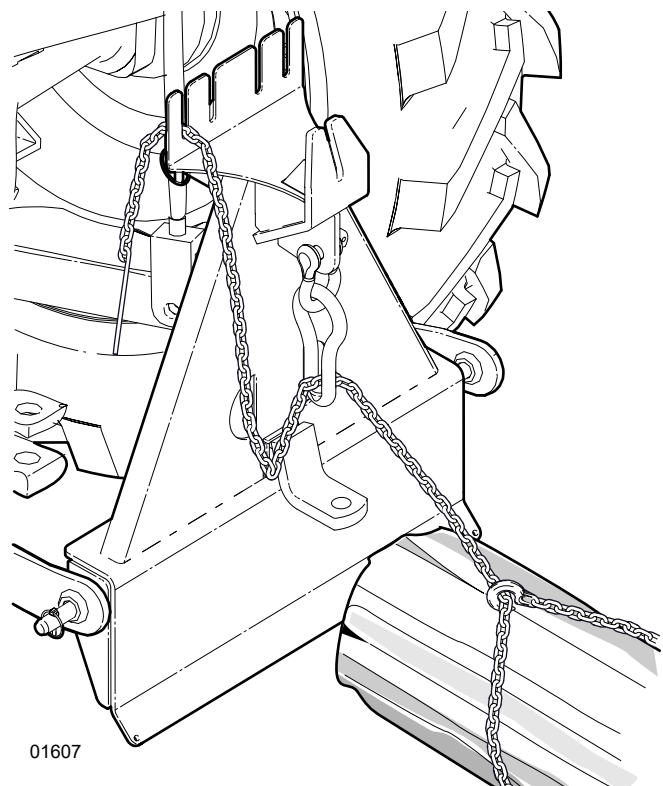


Fig. 9 – Attach a Choker Chain

### 5.3.2 Logging Tongs

Logging tongs are available as an accessory. For more information, contact an authorized dealer or Wallenstein Equipment.

1. Open the logging tongs and position them over the log.
2. Release the logging tongs to grip the log.
3. Extend the chain rod end to the skidding plate.

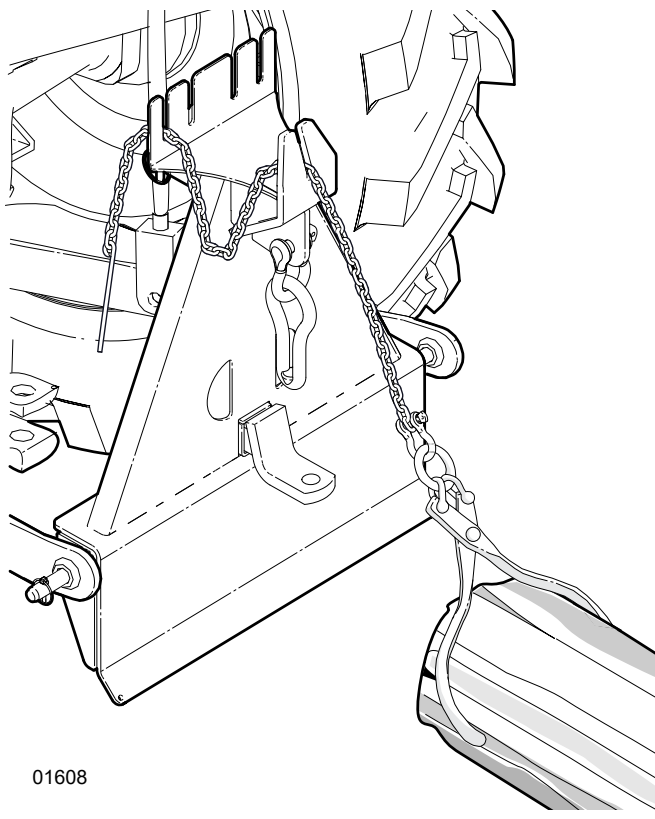


Fig. 10—Attach Logging Tongs

### 5.3.3 Synthetic Choker

#### **! WARNING!**

**Synthetic rope that fails under tension can snap back with great force causing injury or death. Avoid sudden jerks, quick starts or stops. Start slowly and smoothly. Replace if kinked, badly frayed, has knots, cuts, or broken strands.**

W095

Synthetic chokers are available as an accessory. These chokers weigh less than a choker chain and are easier to handle; however, they are more susceptible to abrasion. For more information, contact an authorized dealer or Wallenstein Equipment.

Before each use, check the condition of the synthetic choker for visible damage. Replace if kinked, frayed, has knots, cuts, or any broken strands. Failure to replace could result in breakage.

Points to remember:

- A synthetic choker is very susceptible to damage from rubbing against or sliding along rough ground or surfaces.
- Synthetic choker strength can be reduced if subjected to sudden jerking, or quick starts and stops. Avoid high shock loads on the rope by starting slowly and smoothly.

#### Procedure

1. Push the rod end of the synthetic choker under the log.
2. Pull the ends together and push the rod end through the opposite loop.
3. Extend the rod end to the skidding plate.

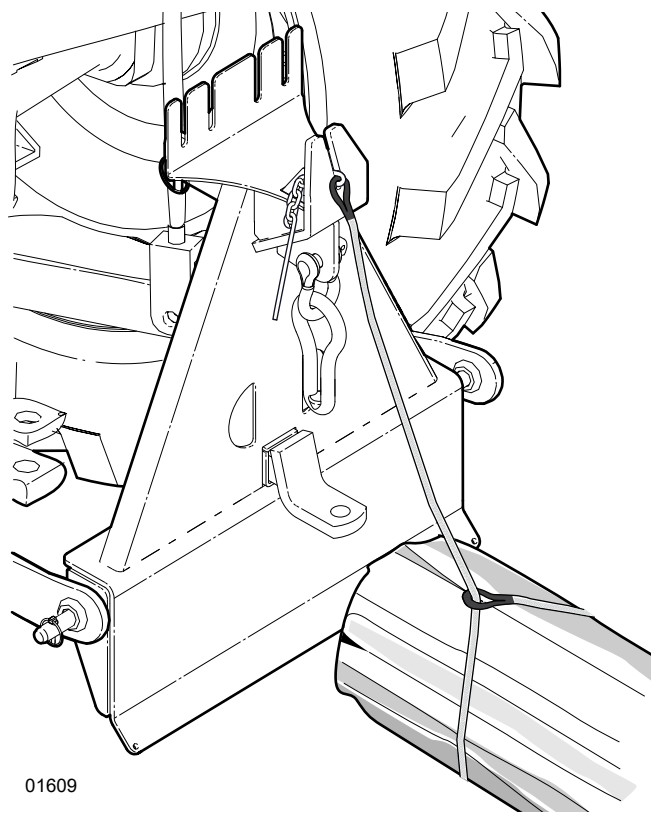


Fig. 11—Attach a Synthetic Choker

## 5.4 Skidding Logs

Points to remember:

- Keep the pulling point as low as possible.
- Raise the skidding plate (and logs) above the ground to clear obstacles.
- Be cautious of hills, boulders, and rough terrain.

### Procedure

1. Complete the Pre-start Checks listed on *page 17*.
2. Attach one or more logs to the skidding plate (for instructions, see *page 17*).
3. Raise the skidding plate off the ground. Make sure that it is level.
4. Drive the tractor forward to pull the logs to the desired location.
5. Lower the skidding plate.
6. Apply the tractor parking brake, and then turn off the engine.
7. Remove the choker chain, tongs, or synthetic choker from the logs and skidding plate, as required.

## 5.5 Rough Terrain

When there is rough terrain in the skidding path:

1. Before entering the rough area, stop the tractor, apply the parking brake, and then turn off the engine.
2. Remove the choker chain, tongs, or synthetic choker from the skidding plate.
3. Drive the tractor through the rough area, stop, apply the parking brake, and then turn off the engine.
4. Reattach the choker chain, tongs, or synthetic choker to the skidding plate.
5. Drive the tractor forward to pull the log(s) through the rough area, stop, apply the parking brake, turn off the engine, and then repeat Step 2.
6. Reverse the tractor to the logs, and then repeat Step 4.

## 5.6 Tractor gets Stuck

- Remove the logs from the skidding plate, drive the tractor to firm ground, and then use a winch to pull the logs to the tractor.
- If the tractor cannot be moved, remove the logs from the skidding plate, arrange to have the tractor pulled out, and then use a winch to pull the logs to the tractor.

## 6. Service and Maintenance

### WARNING!

Do not risk personal injury by working in an unsafe situation. Make sure that the work environment is safe and place the equipment in a safe condition for service and maintenance.

W096

### 6.1 Maintenance Safety

- See the Safety information that starts on *page 11*.
- Before service or repair, place the skidding plate in a **Safe Condition** to work on (for instructions, see *page 9*).
- Always wear the correct personal protective equipment when performing any service or maintenance.
- Use water and, if required, a non-abrasive detergent to clean the equipment. Do not use gasoline, diesel fuel, or thinners.
- Always use the correct tools, and make sure that they are in good condition.

### 6.2 Maintenance Schedule

Perform maintenance tasks at the specified time or hour interval, whichever comes first.

Task	8 hours or daily	100 hours or annually
Inspect and secure all fasteners (see <i>page 23</i> ).	●	
Inspect all components for wear or damage. Replace components, as required.	●	
Clean the equipment. Remove debris and entangled material.		●

### 6.3 Storage

After the season's use or when the skidding plate is not going to be used for a period of time, place it in storage.

Completely inspect the skidding plate. Replace or repair any worn or damaged components to prevent any unnecessary down time at next use.

1. Park the skidding away from human activity in a dry, level area.
2. Lower the skidding plate to the ground. If the ground is soft, place a board or pallet below the skidding plate.
3. Detach the skidding plate from the tractor (for instructions, see *page 16*).
4. Wash the equipment to remove all dirt, mud, and debris. Inspect all parts and remove any entangled material.
5. Check the condition of choker chains, tongs, synthetic chokers, or other items used to attach logs to the skidding plate. Replace or repair, as required.
6. If the skidding plate cannot be stored inside, cover it with a waterproof tarp.

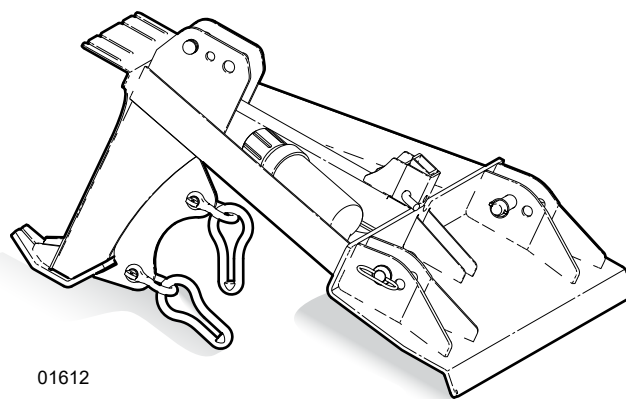


Fig. 12—Storage Position

## 6.4 Transport

**IMPORTANT!** Make sure that the skidding plate is raised off the ground before transport.

- Comply with local laws governing safety and transport of machinery on public roads.
- Do not exceed a safe travel speed. Slow down for rough terrain.
- Make sure that the skidding plate is hitched securely to the tractor and the lynch pins are installed through the mounting pins.
- Never allow riders on the equipment.
- Be a safe and courteous driver. Always yield to oncoming traffic in all situations, including narrow bridges and intersections.
- Watch for traffic when near or crossing roadways.
- Do not drive while impaired by alcohol, drugs, medication, or lack of sleep.

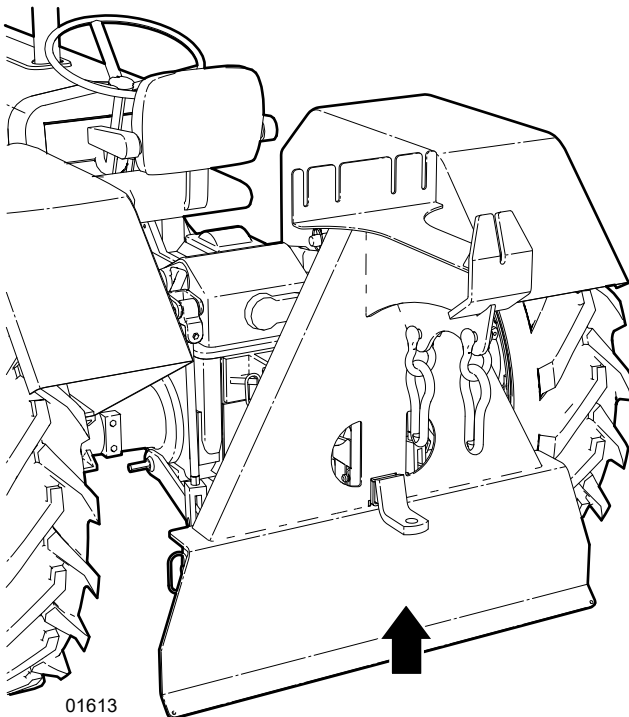


Fig. 13 – Transporting a Skidding Plate

## 7. Specifications

### 7.1 Equipment Specifications<sup>1</sup>

Specification	FXP20	FXP30
Engine range	Up to 40 hp (30 kW)	Up to 80 hp (60 kW)
Saddle-grab hooks	1	2
Weight	98 lb (44 kg)	216 lb (98 kg)
Equipment dimensions L x W x H	35" x 12" x 32" (89 cm x 30 cm x 81 cm)	44" x 25" x 44" (112 cm x 64 cm x 112 cm)
Mounting system	Cat I	Cat I and Cat II

<sup>1</sup> Specifications are subject to change without notice.

## 7.2 Common Bolt Torque Values

### Checking Bolt Torque

The tables shown give correct torque values for various bolts and capscrews. Tighten all bolts to the torque values specified in the table, unless indicated otherwise. Check tightness of bolts periodically.

**IMPORTANT!** If replacing hardware, use fasteners of the same grade.

**IMPORTANT!** Torque figures indicated in the table are for non-greased or non-oiled threads. Do not grease or oil threads unless indicated otherwise. When using a thread locker, increase torque values by 5%.



*Bolt grades are identified by their head markings.*

Imperial Bolt Torque Specifications						
Bolt Diameter	Torque Value					
	SAE Gr. 2		SAE Gr. 5		SAE Gr. 8	
	lbf•ft	N•m	lbf•ft	N•m	lbf•ft	N•m
1/4"	6	8	9	12	12	17
5/16"	10	13	19	25	27	36
3/8"	20	27	33	45	45	63
7/16"	30	41	53	72	75	100
1/2"	45	61	80	110	115	155
9/16"	60	95	115	155	165	220
5/8"	95	128	160	215	220	305
3/4"	165	225	290	390	400	540
7/8"	170	230	420	570	650	880
1"	225	345	630	850	970	1320



SAE Gr. 2



SAE Gr. 5



SAE Gr. 8

Metric Bolt Torque Specifications				
Bolt Diameter	Torque Value			
	Gr. 8.8		Gr. 10.9	
	lbf•ft	N•m	lbf•ft	N•m
M3	0.4	0.5	1.3	1.8
M4	2.2	3	3.3	4.5
M6	7	10	11	15
M8	18	25	26	35
M10	37	50	52	70
M12	66	90	92	125
M14	83	112	116	158
M16	166	225	229	310
M20	321	435	450	610
M30	1,103	1 495	1,550	2 100



8.8



10.9

## 8. Product Warranty



### LIMITED WARRANTY

Wallenstein products are warranted to be free of defects in materials and workmanship under normal use and service, for a period of

**Five Years for Consumer Use**

**Two Years for Commercial/Rental Use**

from the date of purchase, when operated and maintained in accordance with the operating and maintenance instructions supplied with the unit. Warranty is limited to the repair of the product and/or replacement of parts.

This warranty is extended only to the original purchaser and is not transferable.

Repairs must be done by an authorized dealer. Products will be returned to the dealer at the customer's expense. Include the original purchase receipt with any claim.

**This warranty does not cover the following:**

- 1) Normal maintenance or adjustments
- 2) Normal replacement of wearable and service parts
- 3) Consequential damage, indirect damage, or loss of profits
- 4) Damages resulting from:
  - Misuse, negligence, accident, theft or fire
  - Use of improper or insufficient fuel, fluids or lubricants
  - Use of parts or aftermarket accessories other than genuine Wallenstein parts
  - Modifications, alteration, tampering or improper repair performed by parties other than an authorized dealer
  - Any device or accessories installed by parties other than an authorized dealer
- 5) Engines. Engines are covered by the manufacturer of the engine for the warranty period they specify. For the details of your engine warranty, see your engine owner's manual. Information about engine warranty and service is also available in the FAQ section at [www.wallensteinequipment.com](http://www.wallensteinequipment.com)



# 9. Index

<b>A</b>		<b>P</b>	
Attaching a Log .....	17	Pre-start Checks .....	17
Choker Chain .....	17	Product Labels .....	6
Logging Tongs .....	18	<b>R</b>	
Synthetic Choker .....	18	Removing from a Tractor .....	16
Attaching to a Tractor .....	15	Replace Damaged Safety Signs .....	12
<b>B</b>		Rough Terrain .....	19
Ball-mount Hitch .....	16	<b>S</b>	
Bolt torque .....	23	Safety .....	7
Break-in .....	17	Equipment Safety Guidelines .....	8
<b>C</b>		How to Install Safety Signs .....	12
Checking Bolt Torque .....	23	Maintenance Safety .....	20
Choker Chain .....	17	Safe Condition .....	9
<b>D</b>		Safety Alert Symbol .....	7
Delivery Inspection Report .....	4	Signal Words .....	7
<b>E</b>		Safety Alert Symbol .....	7
Equipment Condition .....	13	Safety Signs .....	
Equipment Safety Guidelines .....	8	Safety Sign Explanations .....	12
Equipment Specifications .....	22	Safety Sign Locations .....	11
<b>F</b>		Safety signs, installing .....	12
Familiarization .....	13	Serial number .....	5
Equipment Condition .....	13	Service and Maintenance .....	
Operator Orientation .....	13	Maintenance Safety .....	20
To the New Operator .....	13	Maintenance Schedule .....	20
Training .....	13	Storage .....	20
Work Site Familiarization .....	13	Transport .....	21
<b>I</b>		Sign-off form .....	10
Informative Labels .....	6	Skidding Logs .....	19
Installation .....		Specifications .....	22
Attaching to a Tractor .....	15	Common Bolt Torque .....	23
Ball-mount Hitch .....	16	Equipment Specifications .....	22
Removing from a Tractor .....	16	Storage .....	20
<b>L</b>		Storage Position .....	20
Logging Tongs .....	18	Synthetic Choker .....	18
<b>M</b>		<b>T</b>	
Maintenance Schedule .....	20	Tractor gets Stuck .....	19
<b>N</b>		Transport .....	21
New Operator .....	13	Types of Decals on the Equipment .....	6
<b>O</b>		<b>W</b>	
Operating Instructions .....	17	Warranty .....	24
Attaching a Log .....	17	Work Site Familiarization .....	13
Pre-start Checks .....	17		
Rough Terrain .....	19		
Skidding Logs .....	19		
Tractor gets Stuck .....	19		
Operator Orientation .....	13		



A series of 22 horizontal lines spanning the width of the page, providing a template for writing.





[www.wallensteinequipment.com](http://www.wallensteinequipment.com)