

YANMAR

ASSEMBLY INSTRUCTIONS

POWER BEYOND KIT

PBK65-SA for SA221/324/424

NOTE

• These materials are prepared for use by trained technicians who are experienced in the service and repair of equipment of the kind described in this publication, and are not intended for use by untrained or inexperienced individuals. Such individuals should seek the assistance of an authorized service technician or dealer.

CAUTION

Avoid injury:

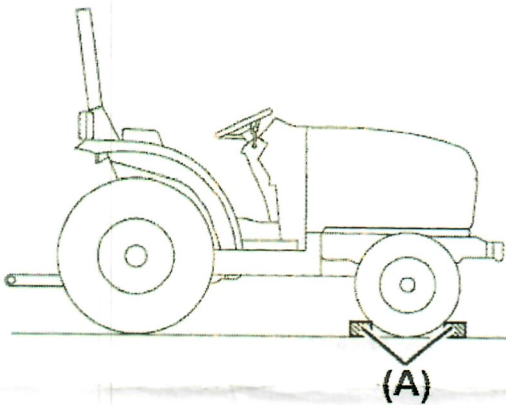
- Perform the work on a solid, flat ground.
- During the work, always wear protective boots, hardhat, and safe tight-fitting clothing. Two persons must take part in the work.
- For the bolts, joints and plugs whose recommended tightening torque is specified, be sure to tighten at that torque.

3. Preparation for Assembly

NOTE

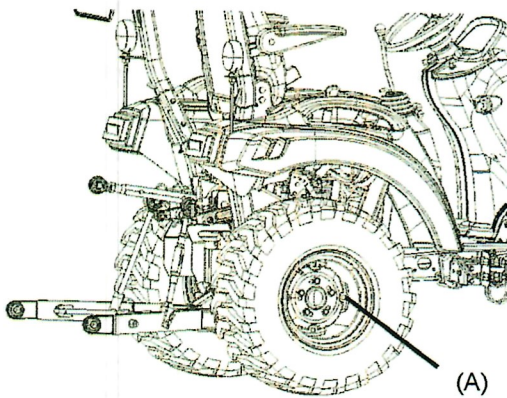
•Before installing the B65-SA backhoe, it is necessary to install backhoe mount kit, swivel seat kit and power beyond kit PBK65-SA for SA221/324/424.

1. Engage the parking brake securely.
2. Park the tractor safely and securely, and place chocks (A) around the front wheels (6 pieces / in total, except right rear wheel)



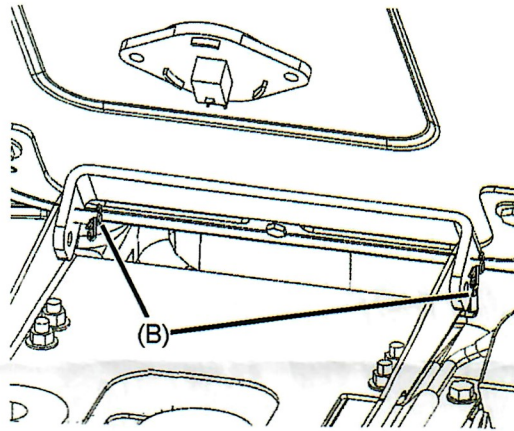
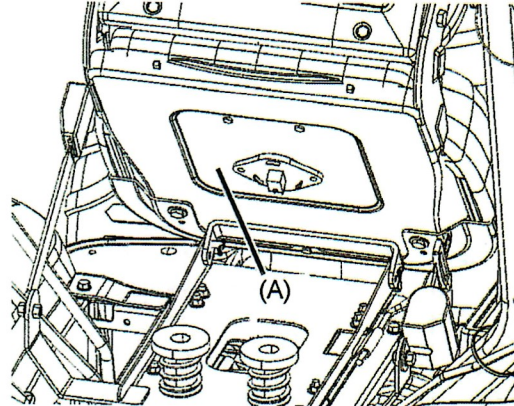
(A) Chocks

3. Remove the right rear wheel.



(A) Rear Wheel Bolts
(SA221: 5 pieces SA324/424: 6 pieces)

4. Remove the operator seat.



- (A) Operator Seat1 piece
(B) Snap pin2 pieces

NOTE:

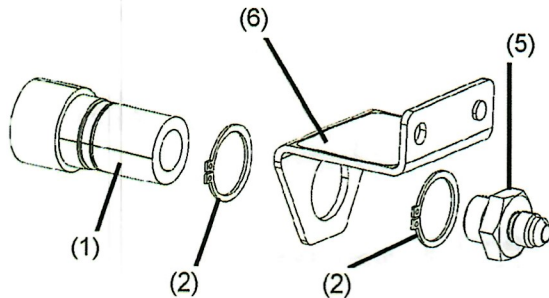
Disconnect the coupler of seat switch wire at this time.

(A) Hydraulic Hose

Item NO.	Part to be installed	Q'ty
3	HOSE, OUT	1
10	JOINT, 90 ELBOW	1

Item	Part to be installed	Tightening Torque
3	HOSE, OUT	17 - 20 (23 - 27)
7	COUPLER, QUICK 3/8M	17 - 20 (23 - 27)

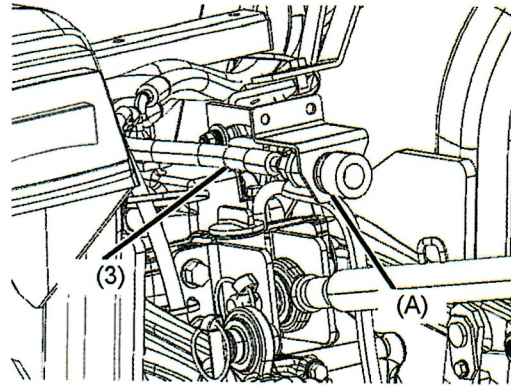
3. Assemble the BH stay assembly (6) and 2 snap rings (2) and the joint assembly (5) onto the hydraulic quick coupler female side (1).



Item NO.	Part to be installed	Q'ty
1	COUPLER, QUICK 3/8F	1
2	RING, SNAP	2
5	JOINT ASSY	1
6	STAY ASSY, BH	1

Item NO.	Part to be installed	Tightening Torque (ft*lbs (N*m))
5	JOINT ASSY	56 - 65 (78 - 88)

4. Install the quick coupler female assembly onto the hydraulic hose for out (3).

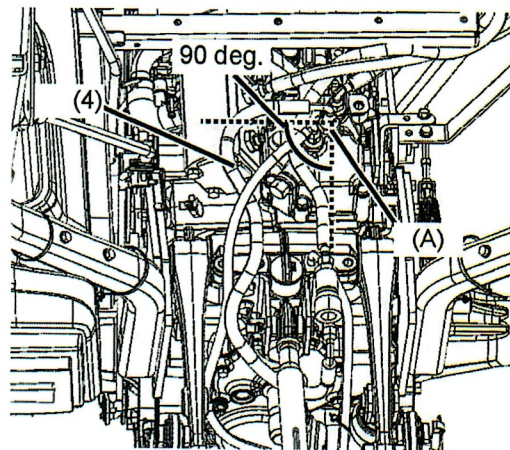


(A) Quick Coupler Female Assembly

Item NO.	Part to be installed	Q'ty
3	HOSE, OUT	1

Item NO.	Part to be installed	Tightening Torque (ft*lbs (N*m))
3	Hydraulic Hose for Out	17 - 20 (23 - 27)

5. Install the hydraulic hose for in (4) onto the middle port on the lift valve assembly.



Item NO.	Part to be installed	Tightening Torque (ft*lbs (N*m))
9	BOLT, 8 X 20	17 - 22 (23 - 29)

9. Install the right fender, knobs, boot, parking brake rod, dust cover, step, drive pedal assembly and operator seat by reverse direction.

Part to be installed	Tightening Torque (ft*lbs (N*m))
BOLT M6	6 - 9 (8 - 12)
BOLT M8	17 - 22 (23 - 29)
BOLT M10	33 - 43 (44 - 59)
BOLT M12	58 - 72 (78 - 98)

<Rear Wheel Bolts>

Model	Tightening Torque N·m (ft·lbs)	
SA221	R3	79.7~93.7 (108 to 127)
	R4	79.7~93.7 (108 to 127)
SA324	R3	79.7~93.7 (108 to 127)
	R4	79.7~93.7 (108 to 127)
SA424	R3	79.7~93.7 (108 to 127)
	R4	79.7~93.7 (108 to 127)