

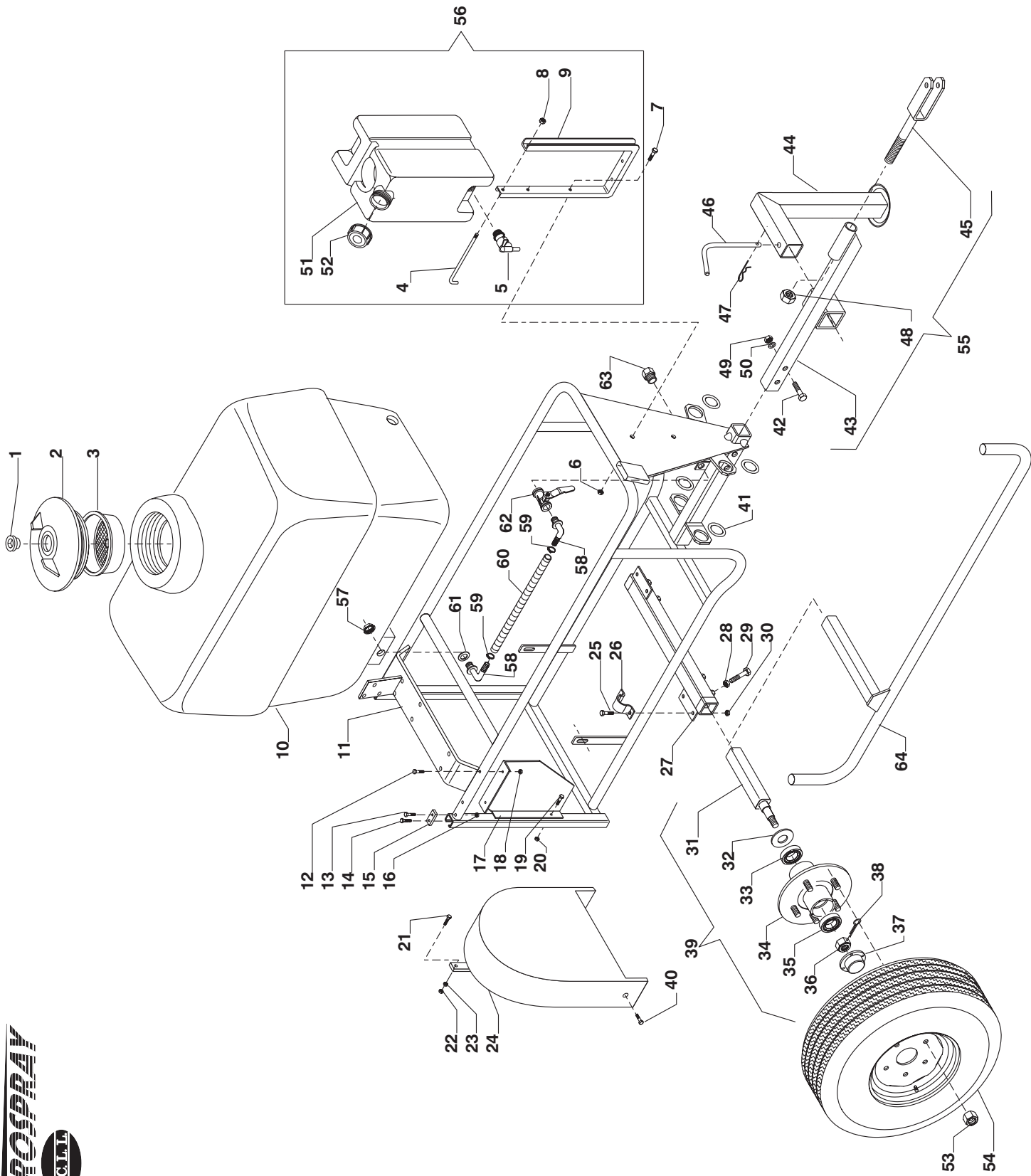
CARRAROSPRAY



**PARTI DI RICAMBIO
SPARE PARTS
PIECES DE RECHANGE**

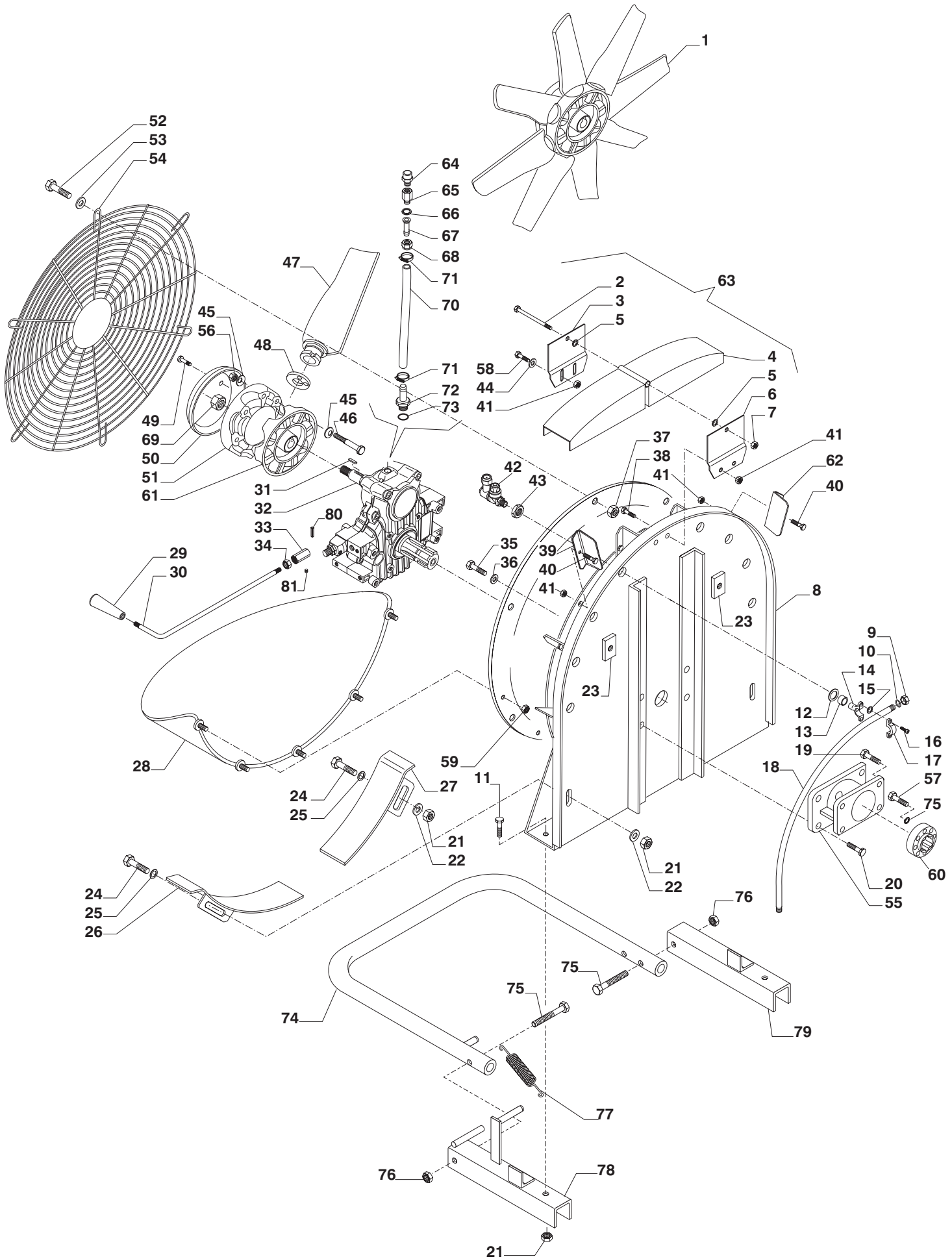


ATVM200



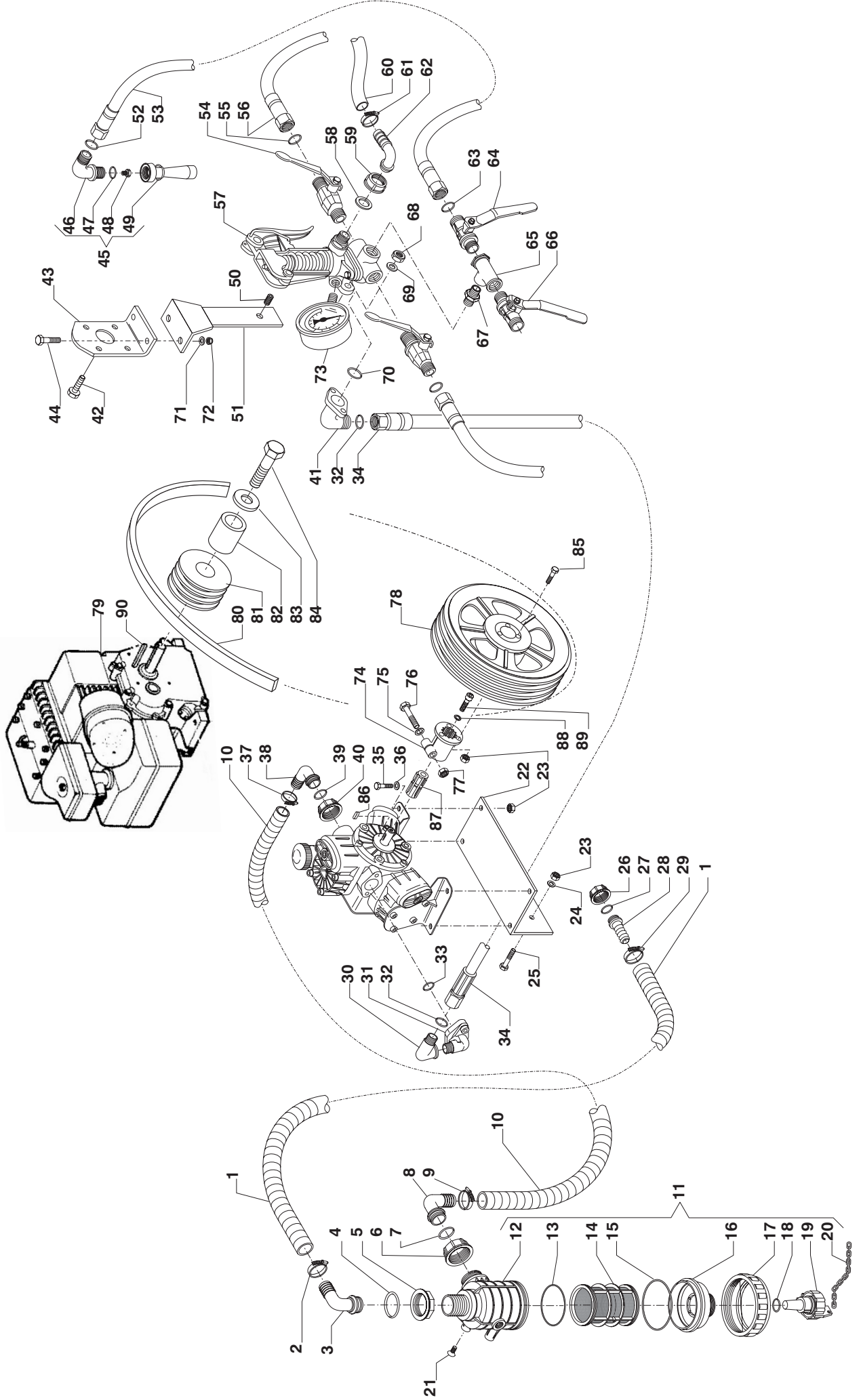
REF.	PART NR.	Q.TY	DESCRIPTION
1	1400081	1	LEAK PLUG
2	1400080	1	TANK COVER
3	0600027	1	FILTER TANK
4	SA901113	1	LOCKING CLIP LEVER FRAM HANDWASH 15 LT
5	SA800032	1	VALVE HANDWASHING
6	1800180	4	NUT M 8 UNI 5587-6.8 GALVANIZED
7	1800023	2	BOLT TE M 8X30 UNI 5739-8.8 GALVANIZED
8	1800180	4	NUT M 8 UNI 5587-6.8 GALVANIZED
9	SA902511	1	FRAME HANDWASH
10	0600028	1	TANK POLIGOOD SP 200
11	0101864	1	FRAME ATVM200
12	1800052	1	BOLT TE M 6X55 UNI 5737-8.8 GALVANIZED
13	1800043	2	BOLT TE M 10X60 UNI 5737-8.8 GALVANIZED
14	1800041	2	BOLT TE UNI 5739 8.8 10x45 GALVANIZED
15	0101931	1	PALTE ATVM
16	1800186	4	NUT AUT. HIGH CL.8 M 10
17	0101927	1	PLATE RH ATVM200
17	0101928	1	PLATE LH ATVM200
18	1800179	1	NUT M 6 UNI 5587-6.8 GALVANIZED
19	1800052	1	BOLT TE M 6X55 UNI 5737-8.8 GALVANIZED
20	1800179	1	NUT M 6 UNI 5587-6.8 GALVANIZED
21	1800041	2	BOLT TE UNI 5739 8.8 10x45 GALVANIZED
22	1800185	2	NUT UNI 5587 CL. 8 M 10 GALVANIZED WITHE
23	1800185	2	NUT UNI 5587 CL. 8 M 10 GALVANIZED WITHE
24	0101873	1	CARTER ATVM200
25	1800025	4	BOLT TE UNI 5739 8.8 8x25 GLVANIZED
26	0100288	2	CLAMP 33
27	0101925	1	AXLE FRAME ATVM200
28	1800190	4	NUT M 12 UNI 5587-6.8 GALVANIZED
29	1800053	4	BOLT TE M 12X35 UNI 5739-8.8 GALVANIZED
30	1800180	4	NUT M 8 UNI 5587-6.8 GALVANIZED
31	0101913	1	CORPS AXLE-SHAFT Q040 LAM FF 0330 6204-6206 LT384 LG300
32	0101914	1	CORTECO AGRICOLO 030/062
33	0101916	1	6206-2RS1 030 062 16 BEARING RADIAL A BALL
34	0101917	1	HUB F04 12 047-062 058-098 PALLIER AND NUT
35	0101918	1	6204-2RS1 020 047 14 PALLIER RADIAL A BALL
36	0101919	1	NUT M 18X 1.50 CH27 AUT.
37	0101915	1	PLUG 047 PRESSURE TVZ
38	1800150	1	PLAIN WASHER UNI 6592 M.14
39	0101868	1	AXLE ATVM
40	1800036	4	BOLT TE M 10x25 UNI 5739 8.8 GALVANIZED
41	2900001	4	RUBBER PROTECTION D.32mm 35X50X3 H=10
42	1800054	2	BOLT TE M 10X70 UNI 5737-8.8 GALVANIZED
43	0101905	1	FRAME ATVM
44	0101867	1	SUPPORT DRAWBAR ATVM200
45	0101906	1	FORK DRAWBAR ATVM
46	0100278	1	PIN D.8
47	2100006	1	PIN R 2
48	1800194	1	NUT AUT. M 14 UNI 7473-6.8

REF.	PART NR.	Q.TY	DESCRIPTION
49	1800185	2	NUT UNI 5587 CL. 8 M 10 GALVANIZED WITHE
50	1800130	4	PLAIN WASHER UNI 6592 M.10
51	SA902008	1	BASKET PLASTIC WHITE
52	SA902018	1	PLUG HANDWASH LV15 (BLUE)
53	0101692	8	NUT M12x1,5 A304059
54	0700133	2	WHEEL 23x10.5-12 PR6 TL S374 DELI
55	0101866	1	DRAWBAR CO. ATVM
56	1400246	1	HANDWASH 15 LT.
57	1400001	2	RING NUT 1/2
58	1400062	3	ELBOW CONNECTOR D.20 1/2 G
59	1500003	3	CLAMP PERFECT 14X27
60	1600845	1	SPIRAL HOSE D.20 L=700
61	1700001	2	GASKET D.32x21x2
62	1300011	1	BALL VALVE KOSMOS/301 1/2"
63	1300146	1	EXTENSION CYLINDRICAL MF 1/2"
64	0101921	1	SKIT RH ATVM200
64	0101922	1	SKIT LH ATVM200
65	1400083	2	COVER D.28
66	1800071	1	BOLT TE M 10X75 UNI 5737-8.8 GALVANIZED
67	A000410	1	SKIDS SET FOR ATVM200



REF.	PART NR.	Q.TY	DESCRIPTION
1	0101861	1	FAN D.495/9/40°/400A/NV7 D.186 F.20
2	1800077	1	BOLT TCEI M 8X110 UNI 5931-8.8 GALVANIZED
3	0101485	2	REAR WING SUPPORT 600
4	0101465	2	SUPERIOR WING (D.700)
5	1800120	2	FLAT WASHER UNI 6592 M.8 GALVANIZED
6	0101485	2	REAR WING SUPPORT 600
7	1800181	1	NUT AUT. HIGH CL. 8 M 8
8	0101865	1	CONVEYOR 500-ATVM
9	0100097	2	BLIND PLUG 1/2
10	1700021	2	WHITE GASKET 19X4
12	1800150	4	PLAIN WASHER UNI 6592 M.14
14	0800003	8	BODY NOZZLE
15	1700020	8	OR D.15.16X9.92X2.62
16	1800002	16	BOLT TCEI UNI 5931 A2 5x16
17	0800004	8	NOZZLE CLAMP
18	2000031	2	TUBE SS (4) D.20X1.2 L=560
19	1800036	4	BOLT TE M 10x25 UNI 5739 8.8 GALVANIZED
20	1800038	4	BOLT TE M 10X35 UNI 5739-8.8 GALVANIZED
21	1800185	2	NUT UNI 5587 CL. 8 M 10 GALVANIZED WITHE
22	1800130	8	PLAIN WASHER UNI 6592 M.10
23	0100107	4	PLATE BD
24	1800036	2	BOLT TE M 10x25 UNI 5739 8.8 GALVANIZED
25	1800130	8	PLAIN WASHER UNI 6592 M.10
26	0100264	1	RH LATERAL WING
27	0100265	1	LH. SIDE FIN
28	1400380	1	TRASH-SHIELD SMALL WITH INSERT
29	1800413	1	HANDLE IN BAKELITE M 12 D.40x10
30	0100618	1	CONTROL LEVER CAR 3/MOD700 MSA/MOD.600
31	1800417	1	KEY A 6X6X30 UNI 6604-6.8
32	BI6125.303.040	1	MOLT. MSA 1:4,0
33	0100253	1	RALLONGE LEVER CAR3
34	1800190	1	NUT M 12 UNI 5587-6.8 GALVANIZED
35	1800042	4	BOLT TE M 10X55 UNI 5737-8.8 GALVANIZED
36	1800130	4	PLAIN WASHER UNI 6592 M.10
37	1800179	5	NUT M 6 UNI 5587-6.8 GALVANIZED
38	1800021	2	BOLT TE UNI 5739 8.8 8X20 GALVANIZED
39	0101469	3	DIRECTIONAL WING 500-600-700
40	1800020	6	BOLT TE M 8X16 UNI 5739-8.8 GALVANIZED
41	1800181	6	NUT AUT. HIGH CL. 8 M 8
42	0800293	8	NOZZLE SINGLE ANT.M76 G.1/4M 11/16 UN SP
43	0800031	8	NUT 1/4"
44	1800122	6	WASHER 8X24 UNI 6593 R 40 GALVANIZED
46	1800013	9	BOLT TE UNI 5739 8.8 6X20 GALVANIZED
47	0101935	9	BLADE 40 A (x D.495/9-186) IN NV
48	0101934	9	INSERT 40° IN NV
49	1800463	2	BOLT M 6X10 INOX
50	0101936	1	OGIVE D.186 IN NV BLACK WITH SCREW
51	0101933	1	RING D.186
52	1800013	5	BOLT TE UNI 5739 8.8 6X20 GALVANIZED

REF.	PART NR.	Q.TY	DESCRIPTION
53	1800114	5	WASHER 6X18 UNI 6593 R40 GALVANIZED
54	0101863	1	NET D.500 GALVANIZED ATVM
55	0200478	1	FLANGE AR403-503 AP-C/SP CAR3 PERFORATION EXTERNAL 160X75
56	1800184	9	NUT AUT. HIGH CL.8 M 6
57	1800050	6	BOLT TCEI M 10X30 UNI 5931-8.8 GALVANIZED
58	1800021	2	BOLT TE UNI 5739 8.8 8X20 GALVANIZED
59	1800180	5	NUT M 8 UNI 5587-6.8 GALVANIZED
60	AR620250	1	SHAFT
61	0101932	1	HUB D.186 D.20 CAVA 6 H 45
62	0101470	4	DIRECTIONAL WING 500-600-700
63	2700030	1	COMPLETE TOP WING FAN 600-700 mm
64	BI8600.142.000	1	PLUG
65	1300158	1	VALVE EXTENSION MF CONIC 3/8
66	1700022	2	GASKET 10.5X15X2
67	0101697	1	HOSE TAIL D.10 PLAIN
68	0800071	1	RING NUT NOZZLE 3/8
69	1800212	1	NUT SELFLOCKING M 20X1.5 UNI 7473-6.8
70	1600229	1	HOSE PVC 10X17 40 BAR L=300
71	1500036	2	CLAMP KALE 10x16
72	1300189	2	CYLINDRICAL HOSE CONNECTOR WITH O/RING SEAL 454 12 3/8
73	1700019	1	OR D.130X123X3.5
80	BI8575.289.000	1	PIN 6X36 UNI 6874
81	1801211	2	BOLT STEI M 6X8 UNI 5927-H45



REF.	PART NR.	Q.TY	DESCRIPTION
1	1600517	1	SPIRAL HOSE D.25 L=700
2	1500004	2	CLAMP PERFECT 21X38
3	1400057	1	CURVE CONNECTOR D.25
4	1700066	2	OR D.31x25x3
5	1400013	2	FLY NUT 1"1/4
6	1400013	2	FLY NUT 1"1/4
7	1700066	2	OR D.31x25x3
8	1400057	1	CURVE CONNECTOR D.25
9	1500004	2	CLAMP PERFECT 21X38
10	1600661	1	SPIRAL HOSE D.25 L=500
11	1400197	1	FILTER WITH VALVE
12	1400210	1	FILTER BODY
13	1700052	1	OR DIA.71.1X2.6
14	1400208	1	FILTER
15	1400209	1	OR 5,34X91,44X102,1
16	1400207	1	FILTER COVER
17	1400206	1	FILTER RING NUT
18	1700051	1	OR VITON DIA.31.0X2.5
19	1400205	1	COVER FILTER PLUG
20	1400007	1	PLASTIC CHAIN D.3.5 L=300
20	1800038	4	BOLT TE M 10X35 UNI 5739-8.8 GALVANIZED
20	1900053	1	CHAIN STEEL D.3 L=500
21	1800020	3	BOLT TE M 8X16 UNI 5739-8.8 GALVANIZED
22	0101876	1	SUPPORT PUMP ATVM
23	1800185	2	NUT UNI 5587 CL. 8 M 10 GALVANIZED WITHE
24	1800130	4	PLAIN WASHER UNI 6592 M.10
25	1800037	4	BOLT TE UNI 5739 8.8 10x30 GALVANIZED
26	1400026	1	RING NUT 3/4"
27	1700011	1	GASKET D.40x25x4
28	1400042	1	ELBOW FITTING D.25 - 3/4"
29	1500004	1	CLAMP PERFECT 21X38
30	1300001	2	BRASS ELBOW MF 1/2-1/2
31	AR450145	1	FLANGE
32	1700010	1	GASKET 18X12X2 WHITE
33	AR550350	1	O-RING
34	1600805	1	HOSE CO.PVC 13X23 100 BAR L=2800 RA.3/4
35	1800021	4	BOLT TE UNI 5739 8.8 8X20 GALVANIZED
36	1800122	4	WASHER 8X24 UNI 6593 R 40 GALVANIZED
37	1500004	2	CLAMP PERFECT 21X38
38	AR550370	1	ELBOW
39	AR550350	1	O-RING
40	AR550242	1	RING NUT
41	AR450145	1	FLANGE
42	1800024	2	BOLT TE M 8X35 UNI 5739-8.8 GALVANIZED
43	AR320406	1	BRACKET
44	1800021	4	BOLT TE UNI 5739 8.8 8X20 GALVANIZED
45	1400200	1	COMPLETE JET AGITATOR DIA.1,5
46	1400075	1	JET AGITATION ECROU
47	1700006	1	OR D.36X26X5

REF.	PART NR.	Q.TY	DESCRIPTION
48	1400204	1	NOZZLE D. 1.5
49	1400074	1	BODY JET AGITATION
50	1800319	1	ELASTIC PIN 8X20 UNI 6873-C70
51	0100509	1	VALVE SUPPORT
52	1700010	1	GASKET 18X12X2 WHITE
53	1600096	1	HOSE CO.PVC 10X19 80 BAR L=1800 RG.1/2
54	1300009	1	COCK RH. 1/2-3/8 "METEOR" A.5263
55	1700010	1	GASKET 18X12X2 WHITE
56	1600843	2	HOSE CO.PVC 10X19 80 BAR L=3300
57	0200037	1	CENTRAL GS40I 2 WAYS
58	AR880830	1	O-RING
59	AR550450	1	RING NUT
60	1600844	1	SPIRAL HOSE D.20 L=1800
61	1500003	3	CLAMP PERFECT 14X27
62	AR550460	1	ELBOW
63	1600842	1	HANDLE HOSE PADOVA 80 7BAR L=850
64	1300009	1	COCK RH. 1/2-3/8 "METEOR" A.5263
65	1300035	1	CONNECTOR A T FFF 3/8-3/8-3/8
66	1300010	1	VALVE LH 1/2-3/8 A.5264
67	1300034	1	NIPPLO MM 3/8-3/8
68	1800180	4	NUT M 8 UNI 5587-6.8 GALVANIZED
69	1800120	4	FLAT WASHER UNI 6592 M.8 GALVANIZED
70	AR550350	1	O-RING
71	1800120	4	FLAT WASHER UNI 6592 M.8 GALVANIZED
72	1800180	4	NUT M 8 UNI 5587-6.8 GALVANIZED
73	AR550545	1	PRESSURE GAUGE D.63 0-50 BAR
74	AA00470	1	NIPPLES RIDUCTIN 1/2-1/4
75	1800129	3	WASHER GROWER UNI 1751 M.10
75	1800139	1	WASHER GROWER 13X21 UNI 1751 GALVANIZED
76	1800089	1	BOLT TE M 12X70 UNI 5737-8.8 GALVANIZED
77	1800190	4	NUT M 12 UNI 5587-6.8 GALVANIZED
78	2300057	1	PULLEY 310X3A
79	0400003	1	ENGINE B&S 9HP VANGUARD (PZ.6 PAL)
80	2200015	3	BELT A 50 ROFLEX
81	2300056	1	PULLEY 56 3 A
82	0101904	1	SPACER 33X2,8 L025
83	1800141	1	WASHER F.L.M. 12x36x3
84	1800462	1	BOLT TE M 12X15 UNI 5739-8.8 GALVANIZED
85	1800050	3	BOLT TCEI M 10X30 UNI 5931-8.8 GALVANIZED
86	AR620680	1	KEY
87	AR621370	1	UNIVERSAL JOINT
88	1800123	1	WASHER GROWER 8.4X14.4 UNI 1751 GALVANIZED
89	1800026	1	VIS TCEI M 8X35 UNI 5931-8.8 GALVANIZED
90	1800460	1	KEY FOR SHAFT 1"
91	AR335	1	PUMP AR30 AP SP SGC
92	1800044	4	BOLT TE M 10X50 UNI 5737-8.8 GALVANIZED
93	1800130	4	PLAIN WASHER UNI 6592 M.10
94	1700038	4	GASKET 9X33X3
95	1800186	4	NUT AUT. HIGH CL.8 M 10

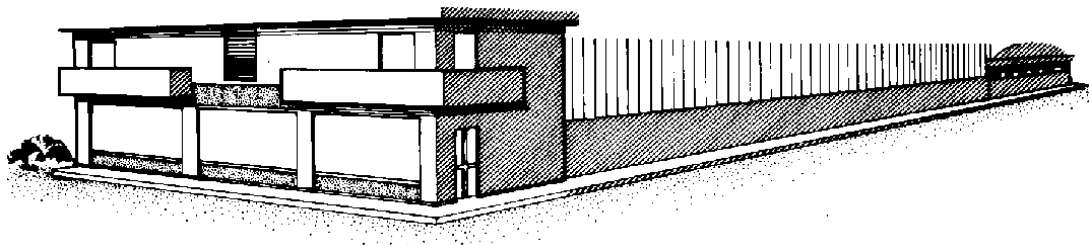


ATVM200 TRAILED AND MOUNTED MOTORISED AIR BLAST SPRAYER

02/05/07 N. 74-07

REF.	PART NR.	Q.TY	DESCRIPTION
96	1300146	1	EXTENSION CYLINDRICAL MF 1/2"

CARRAROSPRAY



O.C.L.L. SNC DI CARRARO L. & L.
Via Cornara, 40 – 35010 Villanova (PD) –Italy-
Tel. (++39) 049.922.00.72 r.a. Telefax (++39) 049.922.09.51
E-mail: ocll@carrarospray.it
<http://www.carrarospray.it>