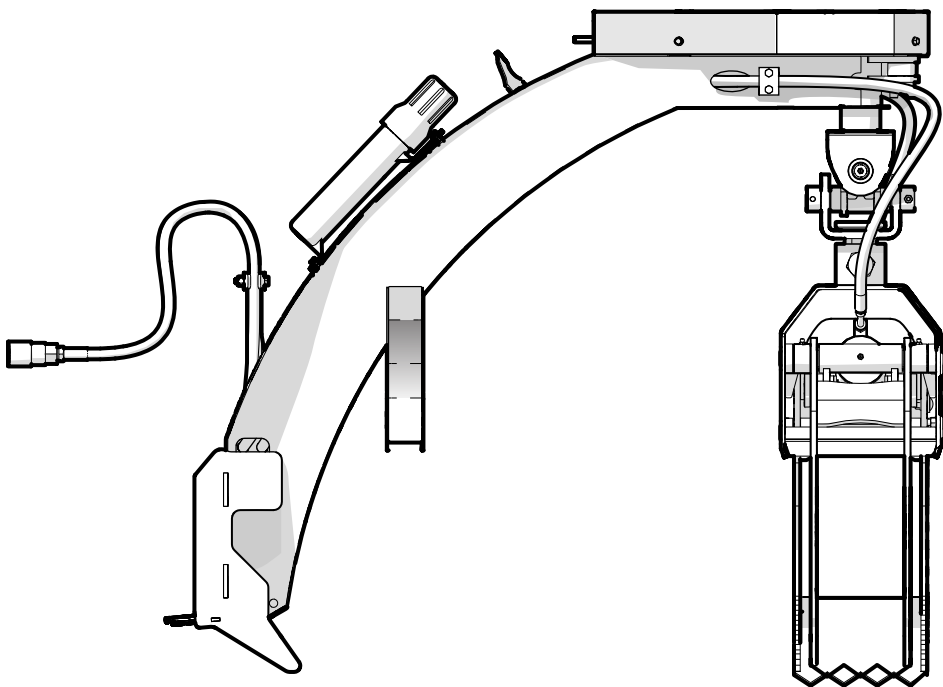


PARTS MANUAL

Serial Number 210S001 & up

LXG210S / SB MINI SKID STEER GRAPPLE



Foreword

This Wallenstein parts manual is prepared to assist customers in ordering quality OEM replacement parts.

Regular maintenance combined with replacing old, worn or broken parts with the correct OEM parts is essential in prolonging the life of your Wallenstein product. Refer to this manual to identify replacement parts.

To order parts, contact your Wallenstein dealer or distributor. Have the product model and serial number handy.

If your dealer is no longer available, please go to our website: <http://wallensteinequipment.com> and click on the [Dealer Locator](#) to find the nearest dealer.

All information contained in this parts manual is current as per the revision date at the bottom of the page. Wallenstein reserves the right to change product specifications at any time without notice.

If your product specifications differ from those contained in this manual, contact Wallenstein for current information.

Reproduction of information in this parts manual is prohibited without prior written permission from Wallenstein Equipment Inc.

Wallenstein Equipment Inc. • © 2021

WARNING!

Refer to the operators manual for safe operation and maintenance.

Maintenance should be performed by trained personnel only.

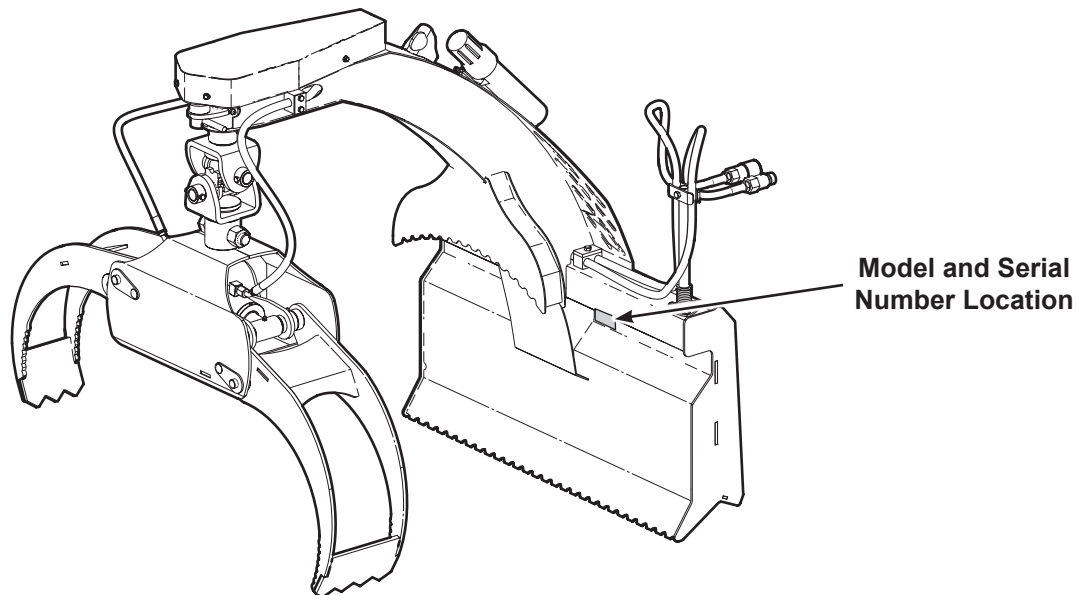
Serial Number Location

Always provide the model and serial number of your Wallenstein product when ordering parts or requesting service or other information. This information is found on the product information plate as shown below.

Record your product information here for future reference.

Model _____

Serial Number _____



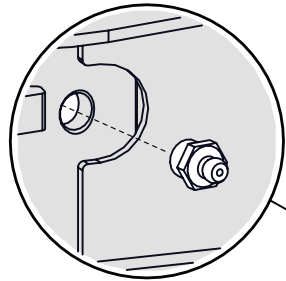
www.wallensteinequipment.com

Contents

Main Assembly S/N 210S001 to 210S115.....	4-A
Main Assembly S/N 210S116 & Up	4-B
Pivot Assembly Detail S/N 210S001 to 210S115.....	5A
Pivot Assembly Detail S/N 210S116 & Up	5B
Return Lock Assembly Detail	6
Grapple Assembly.....	7
Wide (Outside) Fork Assembly	8
Cylinder Assembly.....	9
Hydraulic Circuit	10
Decal Layout.....	11
Accessories	12
Common Bolt Torque Values	13
Hydraulic Fitting Torque Values	14

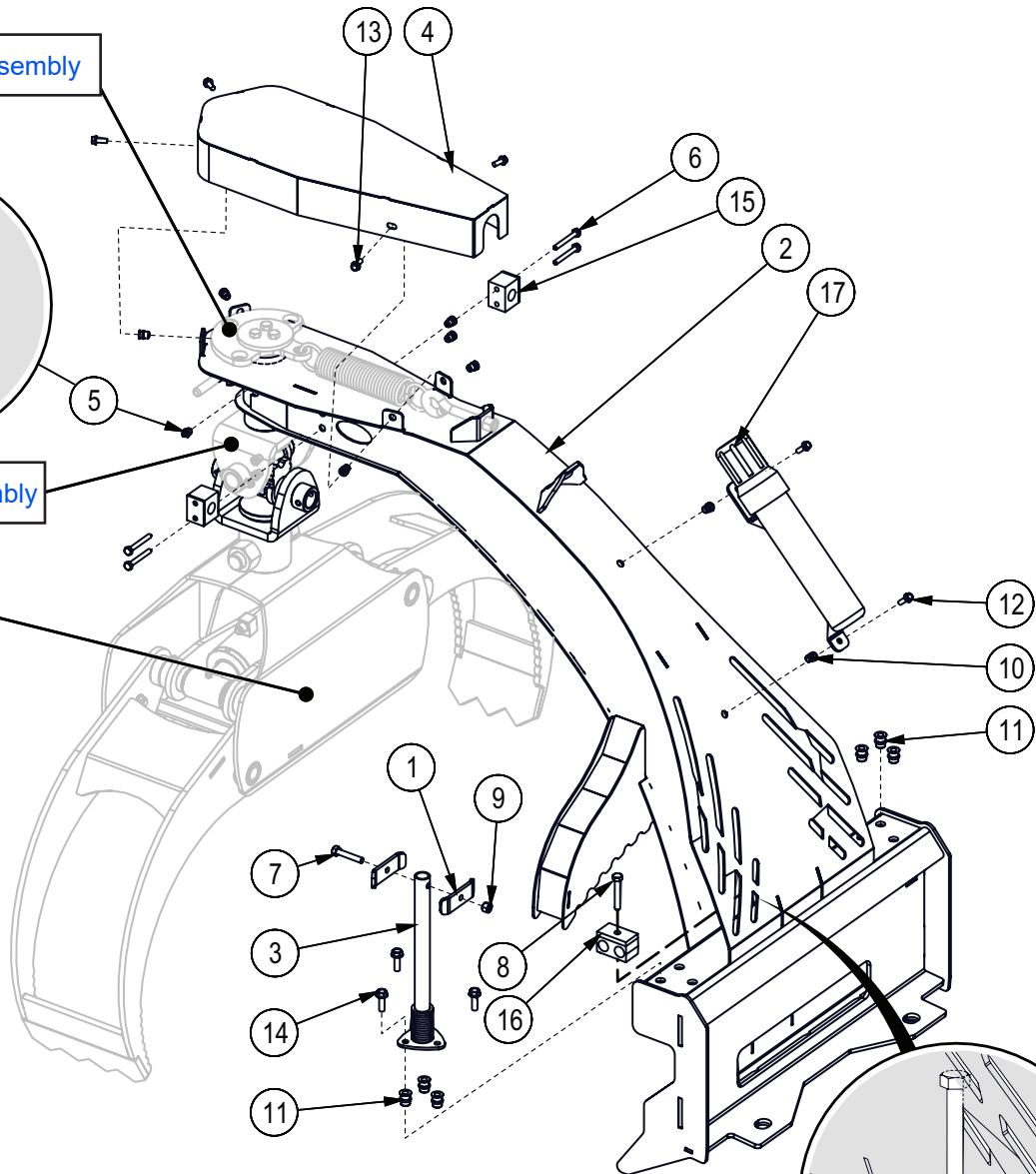
Main Assembly S/N 210S001 to 210S115

See Return Lock Assembly



See Pivot Assembly

See Grapple Assembly



Detail of Items #8 and #16 Installation

Item No.	Part No.	Description	Qty
1	6075L021	Clamp, Double Hose	2
2	6075W001	Main Boom – LXG210S	1
	6075W501	Main Boom – LXG210SB	1
3	6075W002	Hose Mount Whip	1
4	6075W003	Spring Guard	1
5	Z29201	Grease Fitting, MP02	1
6	Z71120	Hex Bolt, 1/4NC x 2"	4
7	Z71217	Hex Bolt, 5/16NC x 1-3/4"	1
8	Z71220	Hex Bolt, 5/16NC x 2"	1
9	Z72221	Hex Lock Nut, 5/16NC	1

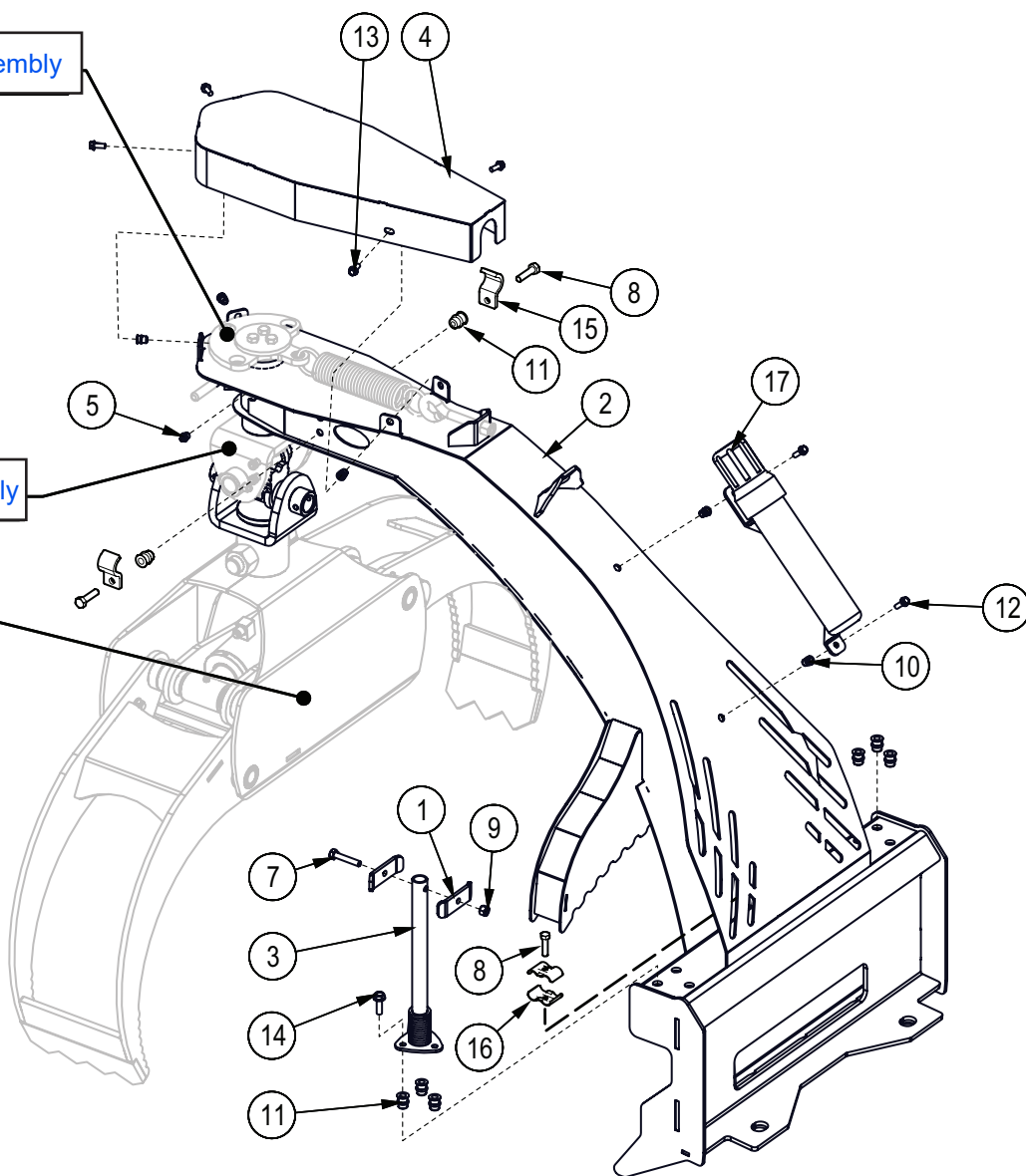
Item No.	Part No.	Description	Qty
10	Z72955	Rivet Nut, 1/4NC x 165	10
11	Z72957	Rivet Nut, 5/16NC x 312	6
12	Z76111	Flange Bolt, 1/4NC x 3/4"	2
13	Z76117	Flange Bolt, 1/4NC x 5/8"	4
14	Z76125	Flange Bolt, 5/16NC x 1"	3
15	Z79454	Single Hose Clamp, 11/16" OD	2
16	Z79463	Double Hose Clamp, 11/16" OD	1
17	Z96505	Manual Tube, 2" Short	1

Main Assembly S/N 210S116 & Up

See Return Lock Assembly

See Pivot Assembly

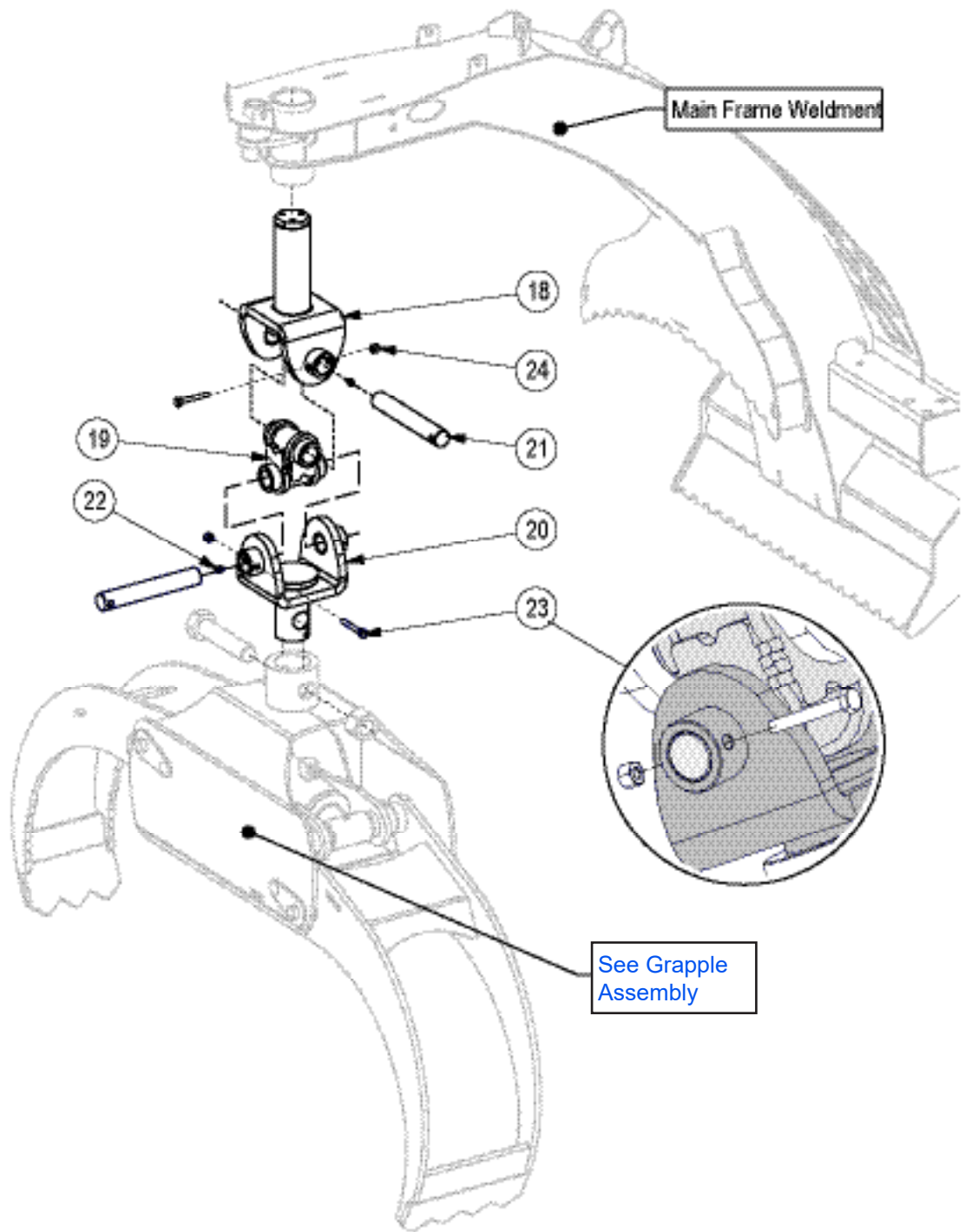
See Grapple Assembly



Item No.	Part No.	Description	Qty
1	6075L021	Clamp, Double Hose	2
2	6075W001	Main Boom – LXG210S	1
	6075W501	Main Boom – LXG210SB	1
3	6075W002	Hose Mount Whip	1
4	6075W003	Spring Guard	1
5	Z29201	Grease Fitting, MP02	1
7	Z71217	Hex Bolt, 5/16NC x 1-3/4"	1
8	Z71212	Hex Bolt, 5/16NC x 1-1/4"	3
9	Z72221	Hex Lock Nut, 5/16NC	1

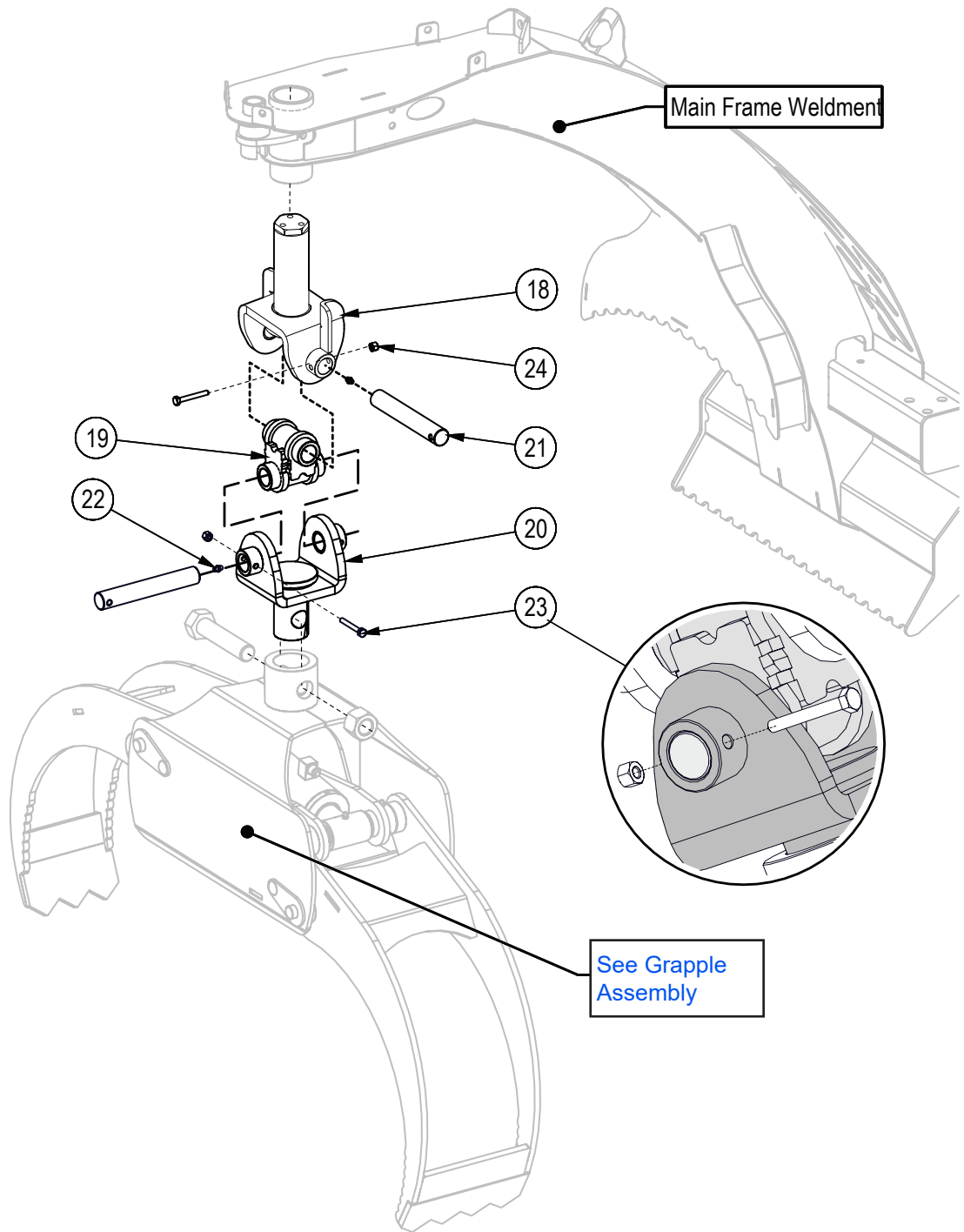
Item No.	Part No.	Description	Qty
10	Z72955	Rivet Nut, 1/4NC x 165	6
11	Z72957	Rivet Nut, 5/16NC x 312	10
12	Z76111	Flange Bolt, 1/4NC x 3/4"	2
13	Z76117	Flange Bolt, 1/4NC x 5/8"	4
14	Z76125	Flange Bolt, 5/16NC x 1"	3
15	6011L128	Hose Clamp, 1 x 3/8"	2
16	2250L286	Hose Clamp, 2 x 3/8"	2
17	Z96505	Manual Tube, 2" Short	1

Pivot Assembly Detail S/N 210S001 to 210S115



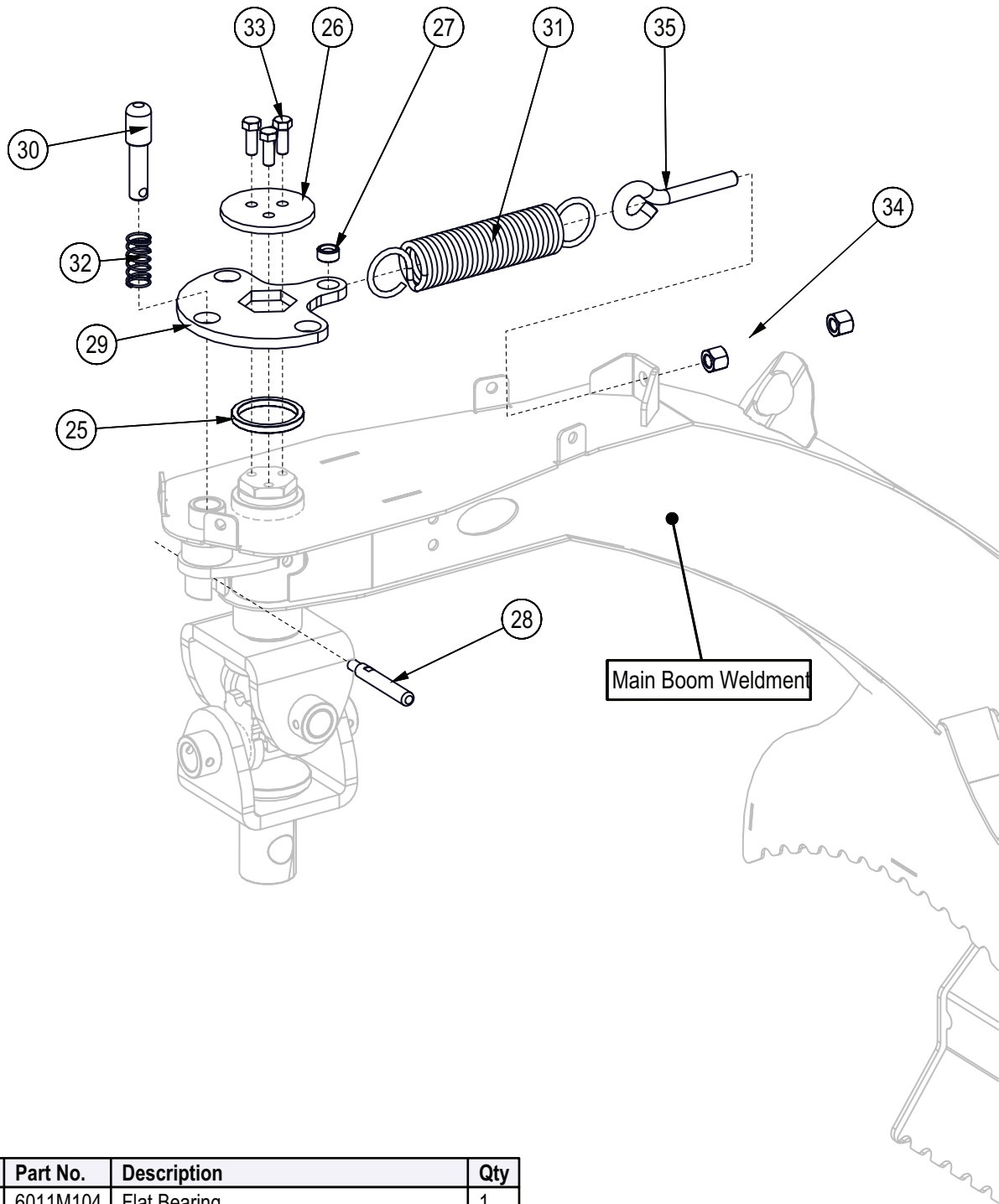
Item No.	Part No.	Description	Qty
18	6075W004	Main Pivot	1
19	6075W005	Pivot Link	1
20	6075W006	Grapple Pivot	1
21	6011M107	Greasable Pin	2
22	Z29202	Grease Fitting, 1/4NF	2
23	Z71120	Hex Bolt, 1/4NC x 2"	2
24	Z72211	Hex Lock Nut, 1/4NC	2

Pivot Assembly Detail S/N 210S116 & Up



Item No.	Part No.	Description	Qty
18	6075W004	Main Pivot	1
19	6075W005	Pivot Link	1
20	6075W006	Grapple Pivot	1
21	6011M107	Greasable Pin	2
22	Z29202	Grease Fitting, 1/4NF	2
23	Z71120	Hex Bolt, 1/4NC x 2"	2
24	Z72211	Hex Lock Nut, 1/4NC	2

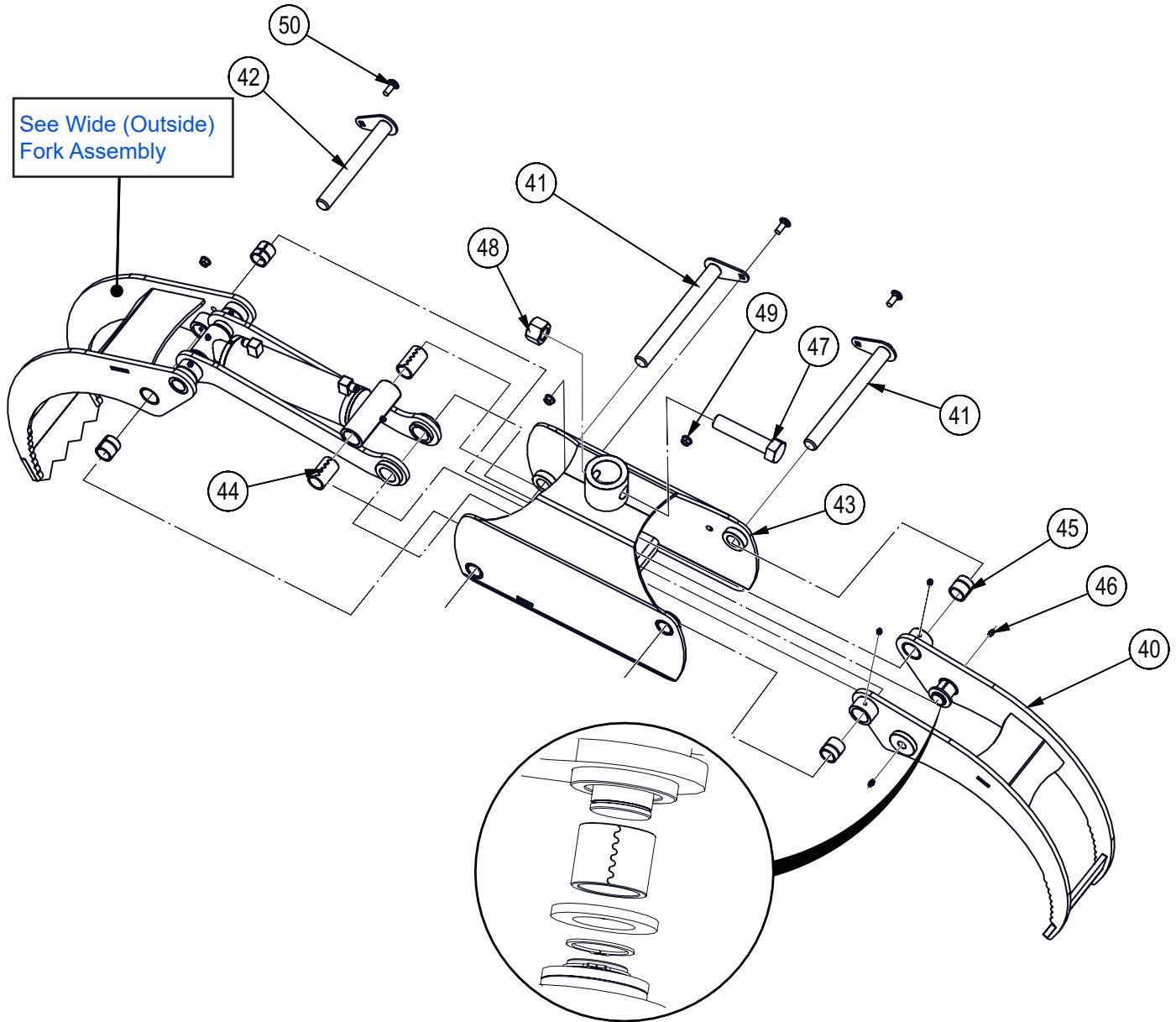
Return Lock Assembly Detail



Item No.	Part No.	Description	Qty
25	6011M104	Flat Bearing	1
26	6016L003	Plate, Main Pivot Keeper	1
27	6016M007	Bushing, Spring	1
28	6016M511	Lever, Grapple Lock	1
29	6071L109	Flange	1
30	6071M102	Pin, Grapple Lock	1
31	Z31502	Ext Spring, 1-3/4" OD x 9" x .207"	1
32	Z32306	Comp Spring, 0.845" OD x 1-3/4" x 0.068"	1
33	Z71310	Flange Bolt, 3/8NC x 1"	3
34	Z72331	Jam Nut, 3/8NC	2
35	Z76533	Eye Bolt, 3/8NC x 2-1/2"	1

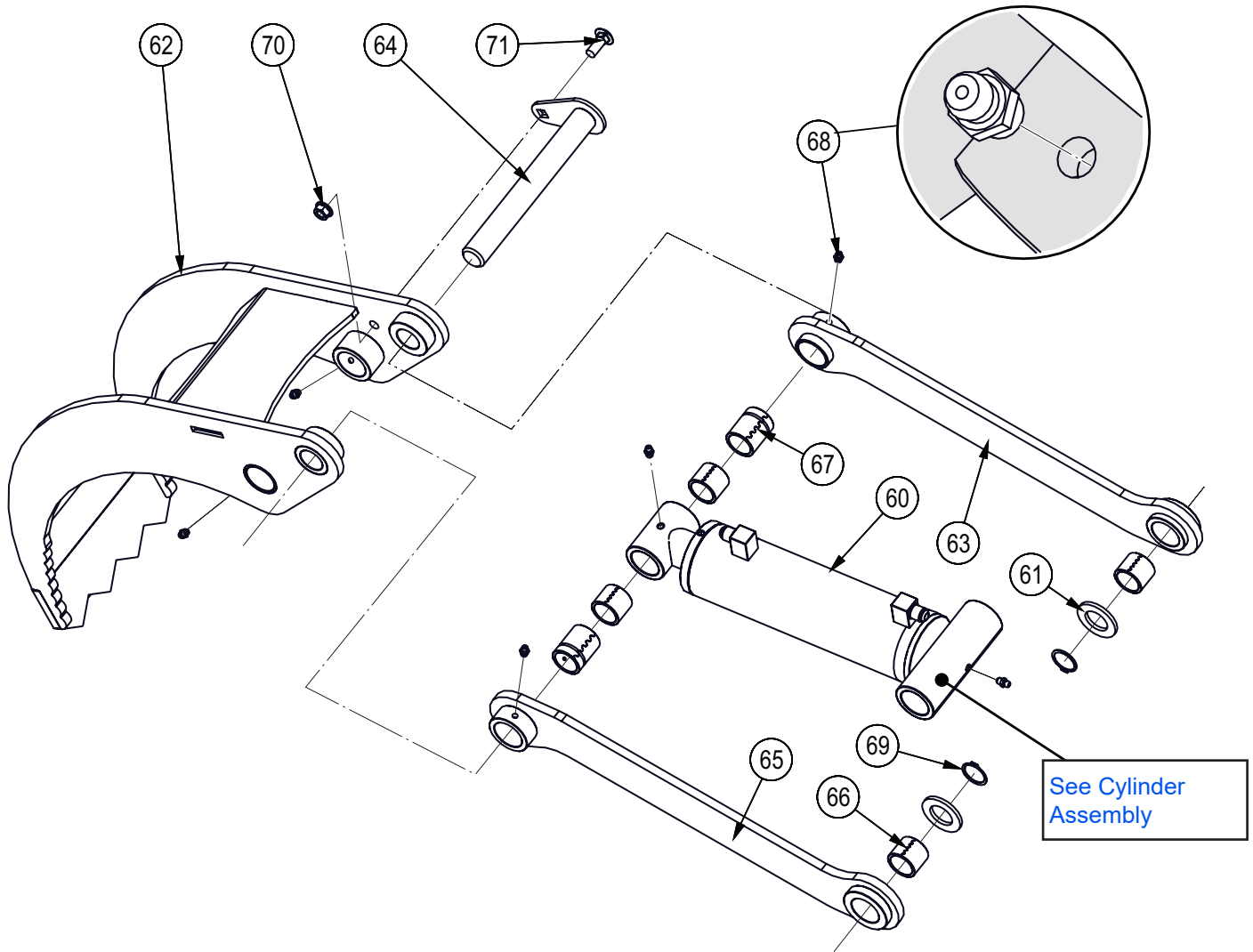
ECN0411

Grapple Assembly



Item No.	Part No.	Description	Qty
40	6012W201	Narrow (Inside) Fork	1
41	6012W203	1" Flange Pin	2
42	6012W205	1" Hex Head Pin	1
43	6012W215	Main Grapple Frame	1
44	Z27222	Connex Bushing, 1" ID x 2" Long x 1/8" Wall	2
45	Z27227	Connex Bushing, 1" ID x 1-1/4" Long x 1/8" Wall x 1/2" Groove Center	4
46	Z29202	Grease Fitting, 1/4NF	4
47	Z71911	Hex Bolt, 1NC x 4-1/2"	1
48	Z72291	Hex Lock Nut, 1NC	1
49	Z72531	Serrated Flange Locknut, 3/8NC	3
50	Z76231	Carriage Bolt, 3/8NC x 1"	3

Wide (Outside) Fork Assembly

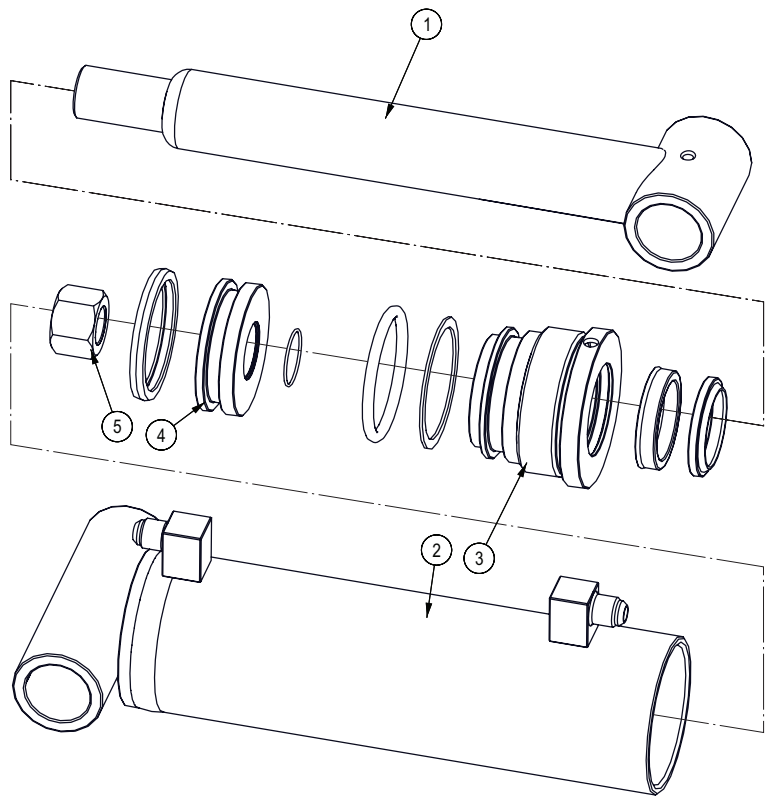


Item No.	Part No.	Description	Qty
60	6012C205	Cylinder, 2-1/2 x 6	1
61	6012L118	Washer, Linkage	2
62	6012W202	Wide (Outside) Fork	1
63	6012W204	Linkage Bar	1
64	6012W205	1" Hex Head Pin	1
65	6012W207	Linkage Bar	1
66	Z27223	Connex Bushing, 1" ID x 1" Long x 1/8" Wall	4
67	Z27226	Connex Bushing, 1" ID x 1-1/2" Long x 1/8" Wall x 3/8" Groove Center	2
68	Z29202	Grease Fitting, 1/4NF	6
69	Z46204	External Retaining Ring, 1"	2
70	Z72531	Serrated Flange Locknut, 3/8NC	1
71	Z76231	Carriage Bolt, 3/8NC x 1"	1

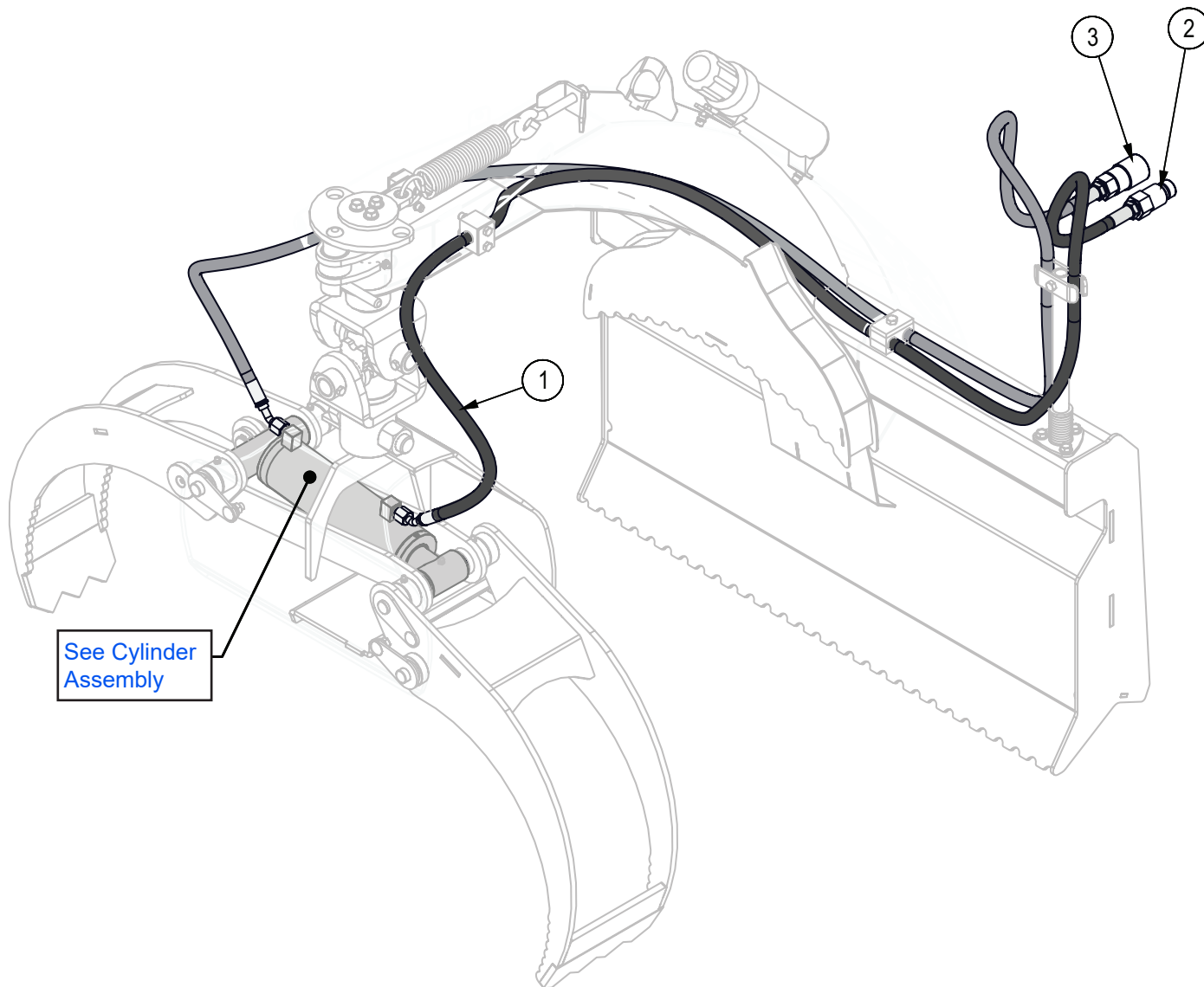
Cylinder Assembly

Seal Kit #SLK-2515

Item No.	Part No.	Description	Qty
1	6012C2053	Rod, 1-1/2 x1	1
2	6012C2054	Barrel, 2-1/2"	1
3	G250-150S	Gland, 2-1/2" x 1-1/2"	1
4	P100-250SP	Piston, 2-1/2" Bore	1
5	Z72276G8	Hex TGop-lock Nut, 3/4NF	2



Hydraulic Circuit



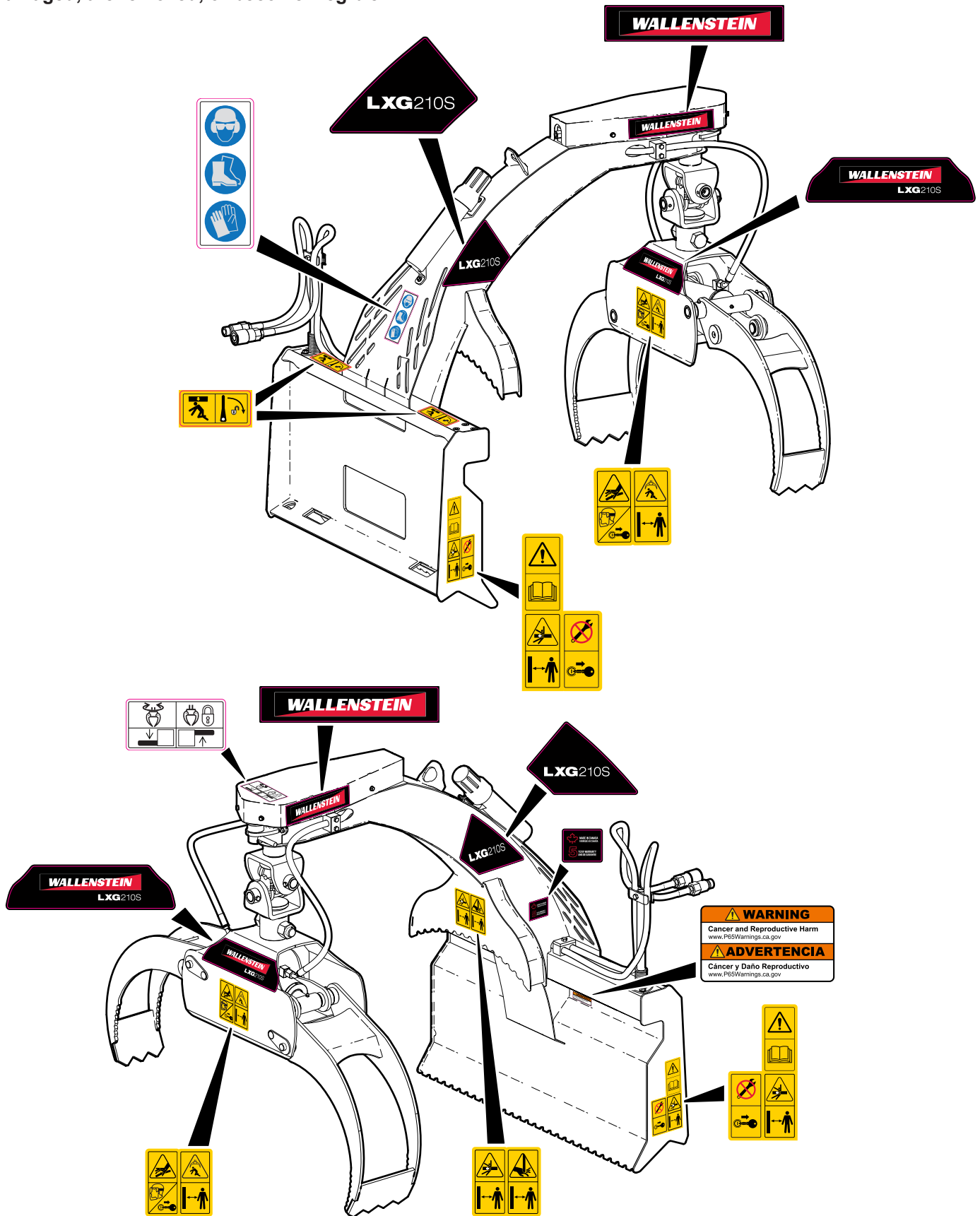
See Cylinder
Assembly

Item No.	Part No.	Description	Qty
1	6075F001	3/8" Hose, 45FJIC06 x MP08 x 108" – LXG210S	2
	6075F501	3/8" Hose, 45FJIC06 x MP08 x 113" – LXG210B	2
2	Z51919	Flat-Face Coupler, FP08 x M ISO 16028	1
3	Z51920	Flat-Face Coupler, FP08 x F ISO 16028	1

Decal Layout

IMPORTANT! If parts are replaced that have safety signs on them, new signs must be applied. Safety signs must always be replaced if they become damaged, are removed, or become illegible.

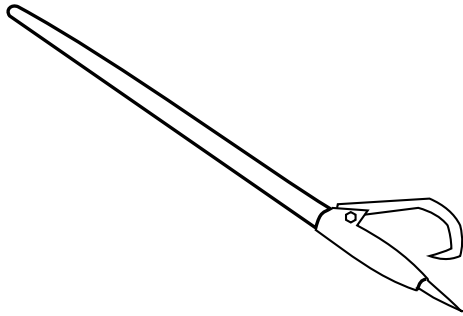
Safety signs are included in the product decal kit available from your authorized dealer. Decals are not available separately.



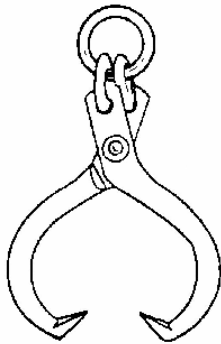
WARNING
Cancer and Reproductive Harm
www.P65Warnings.ca.gov
ADVERTENCIA
Cáncer y Daño Reproductivo
www.P65Warnings.ca.gov

Accessories

Call your dealer for pricing and availability

**48" (122 cm) LOG PEAVEY – P/N Z99001**

Quality 2-3/8" (60 mm) diameter hardwood handle, with a Western Duck Bill hook. Helps to move those heavy log timbers into position.

**SKIDDING TONGS – P/N Z99003**

Heavy Duty Forged Ring Skidding Tongs
Maximum Opening: 25" (63.5 cm)
Minimum Opening: 4-1/2" (11 cm)
Tough log skidding tongs are a quick and easy way to skid logs.


Common Bolt Torque Values

Checking Bolt Torque

The tables shown give correct torque values for various bolts and capscrews. Tighten all bolts to the torque values specified in the table, unless indicated otherwise. Check tightness of bolts periodically.

IMPORTANT! If replacing hardware, use fasteners of the same grade.

IMPORTANT! Torque figures indicated in the table are for non-greased or non-oiled threads. Do not grease or oil threads unless indicated otherwise. When using a thread locker, increase torque values by 5%.

 **NOTE:** Bolt grades are identified by their head markings.

Imperial Bolt Torque Specifications

Bolt Diameter	Torque Value					
	SAE Gr. 2		SAE Gr. 5		SAE Gr. 8	
	lbf•ft	N•m	lbf•ft	N•m	lbf•ft	N•m
1/4"	6	8	9	12	12	17
5/16"	10	13	19	25	27	36
3/8"	20	27	33	45	45	63
7/16"	30	41	53	72	75	100
1/2"	45	61	80	110	115	155
9/16"	60	95	115	155	165	220
5/8"	95	128	160	215	220	305
3/4"	165	225	290	390	400	540
7/8"	170	230	420	570	650	880
1"	225	345	630	850	970	1320



SAE Gr. 2



SAE Gr. 5



SAE Gr. 8

Metric Bolt Torque Specifications

Bolt Diameter	Torque Value			
	Gr. 8.8		Gr. 10.9	
	lbf•ft	N•m	lbf•ft	N•m
M3	0.4	0.5	1.3	1.8
M4	2.2	3	3.3	4.5
M6	7	10	11	15
M8	18	25	26	35
M10	37	50	52	70
M12	66	90	92	125
M14	83	112	116	158
M16	166	225	229	310
M20	321	435	450	610
M30	1,103	1 495	1,550	2 100



8.8



10.9

Hydraulic Fitting Torque Values

Tightening Flare Type Tube Fittings

1. Check flare and flare seat for defects that might cause leakage.
2. Align tube with fitting before tightening.
3. Hand-tighten swivel nut until snug.
4. To prevent twisting the tube, use two wrenches. Place one wrench on the connector body and tighten the swivel nut with the second. Torque to values shown.

If a torque wrench is not available, use the FFFT (Flats From Finger Tight) method.

Hydraulic Fitting Torque					
Tube Size OD	Hex Size Across Flats	Torque value		Flats From Finger Tight	
		lbf·ft	N·m	Flats	Turns
3/16	7/16	6	8	2	1/6
1/4	9/16	11–12	15–17	2	1/6
5/16	5/8	14–16	19–22	2	1/6
3/8	11/16	20–22	27–30	1-1/4	1/6
1/2	7/8	44–48	59–65	1	1/6
5/8	1	50–58	68–79	1	1/6
3/4	1-1/4	79–88	107–119	1	1/8
1	1-5/8	117–125	158–170	1	1/8

Values shown are for non-lubricated connections.