

4

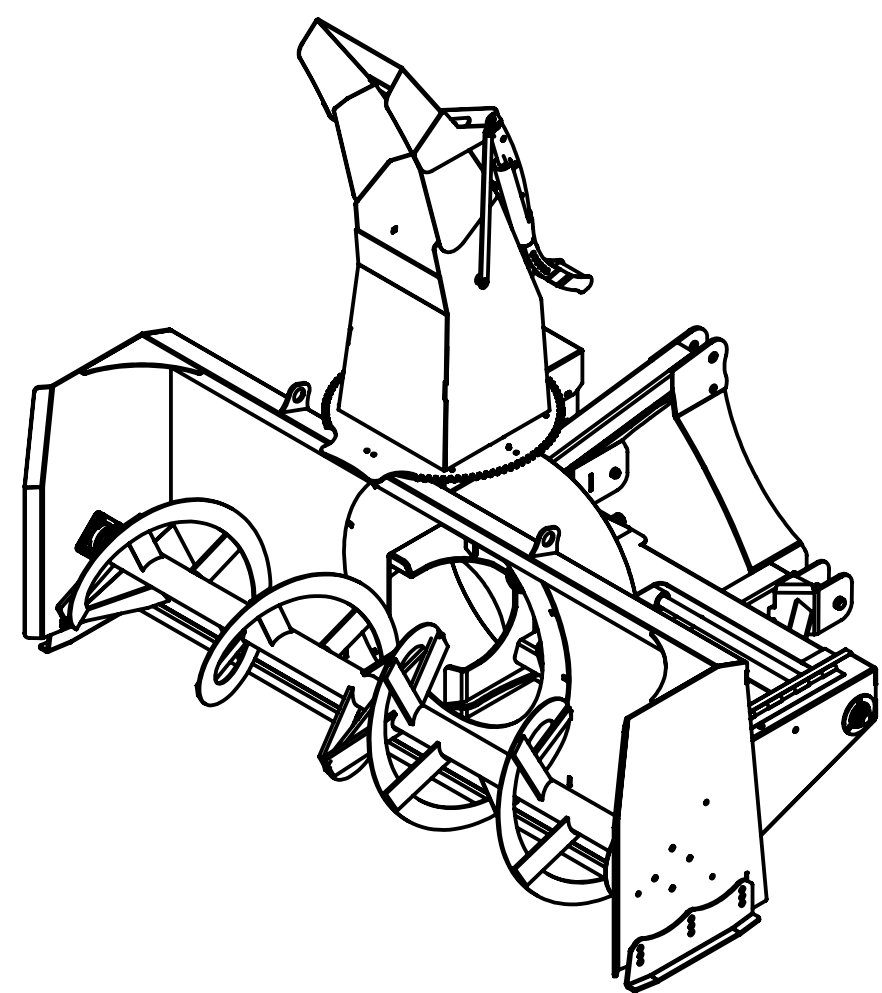
3

2

1

NOTES

- 1. MATERIAL: PER SUB-PARTS
- 2. BREAK SHARP EDGES AND REMOVE BURRS DETRIMENTAL TO SAFE HANDLING
- 3. PART TO BE FREE OF FOREIGN MATERIAL FIBERS, LOOSE BURRS, SHARP EDGES, CONTAMINANTS AND CORROSION.
- 4. FINISH: PARTS TO BE CLEANED, DEGREASED AND PRETREATED WITH IRON PHOSPHATE COATING PRIOR TO POWDER COATING
POWDERCOAT SUPPLIER:
COLOUR:
PART TO MEET ADHESION STANDARD ASTM D3359, LEVEL 4B OR BETTER
POWDERCOAT THICKNESS: 1.5-4 MIL
PROTECT ALL THREADS PRIOR TO POWDER COATING
- 5. PARTS TO BE WELDED/ASSEMBLED AND WELD NUTS INSTALLED PER MANUFACTURER'S SPECIFICATIONS



REVISION HISTORY

REV	SHT	ZONE	REASON FOR CHANGE	DATE MM/DD/YYYY	BY	CHECKED
A	1 OF 5	N/A	PRODUCTION RELEASE	08/01/2016	R. KALOCSAI	A. MARTIN

ITEM NO.	PART NUMBER	DESCRIPTION	QTY.
1	84-60W101	MAIN FRAME	1
2	SB-60A100	CHUTE ASSEMBLY	1
3	SB-60W102	BLOWER FAN	1
4	84-60S102	84" BLADE	1
5	SB-60A175	TENSIONER BAR ASSY	1
6	SB-60L233	FAN HOUSING BACKING PLATE	1
7	SB-60L143	SKID PLATE RS	1
8	SB-60L142	SKID PLATE LS	1
9	SB-60L209	HOOD MOUNT	4
10	SB-60L210	HOOD RETAINER	2
11	SB-60S103	PLASTIC HOOD BEARING	1
12	SBM-P-PF206-Flange	PF206 BEARING FLANGE	2
13	SBM-P-Z25203-Bearing	UC206-20 BEARING	1
14	84-60W103	DRIVE SHAFT ASSY	1
15	SBM-P-Gear Box	GEARBOX	1
16	SB-60A101	HYDR MOTOR, CHUTE ASSY	1
17	SB-60W150	CHAIN GUARD	1
18	84-60W114	AUGER WELDMENT	1
19	SBM-P-Drive Chain 96	ROLLER CHAIN	1
20	SBM-P-F207 BEARING	F207 BEARING & FLANGE	2
21	SB-60L150	LIFT EYE	2
22	WBM101	Cat 1&2 Pin	2

STREAMSIDE INDUSTRIES
 4181 Boomer Line, RR#1
 St. Clements, Ontario
 NOB 2M0

ELECTRONIC SIGNATURE DOCUMENT
APPROVAL STATUS: RELEASED TO PRODUCTION

UNLESS OTHERWISE SPECIFIED
 DIM & TOL PER ASME Y14.5M-1994
 DIMENSION ARE IN INCHES
 DECIMAL TOLERANCE .X ±.1
 .XX ±.01
 .XXX ±.005

ANGULAR TOLERANCE ±1°
 DRAFT ANGLE 2° MAX
 MACHINED SURFACE
 FILLET & CORNER RADII .03
 DO NOT SCALE DRAWING

DRAWN BY: R. KALOCSAI DATE: 08/01/2016

THIRD ANGLE PROJECTION

INCHES

TITLE
84" SNOW BLOWER

SIZE **B** PART NO. **84-60A100** DWG NO. **84-60A100** REV **A**

SCALE 1:20 WEIGHT 1156.680 SHEET 1 OF 5

4

3

2

1

4

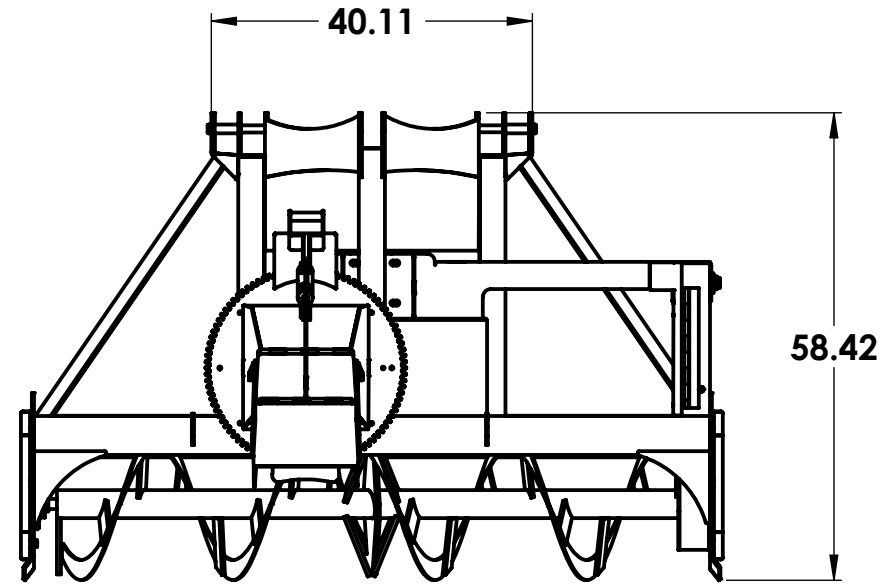
3

2

1

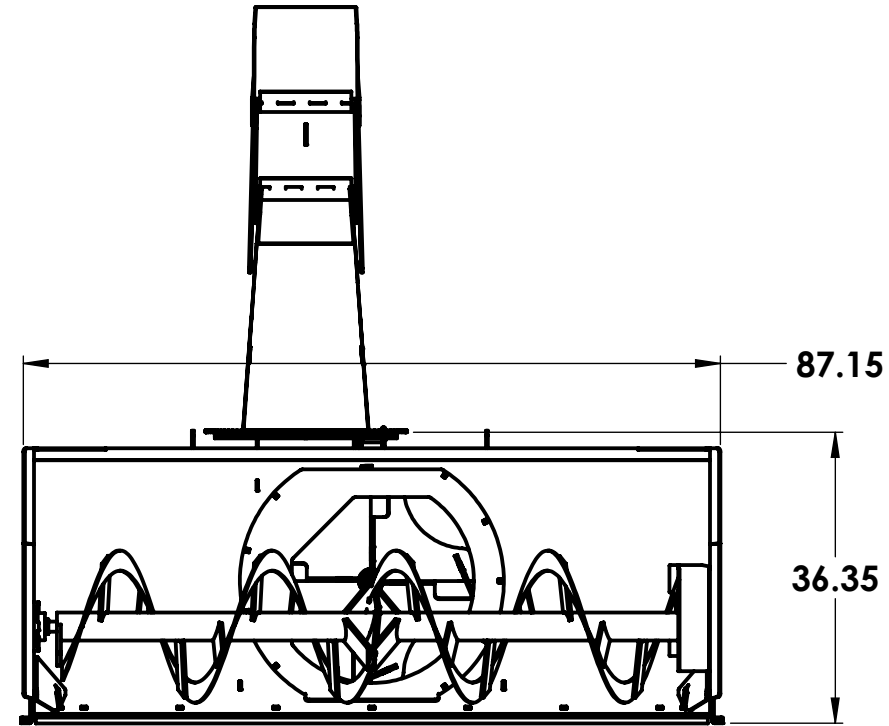
D

D



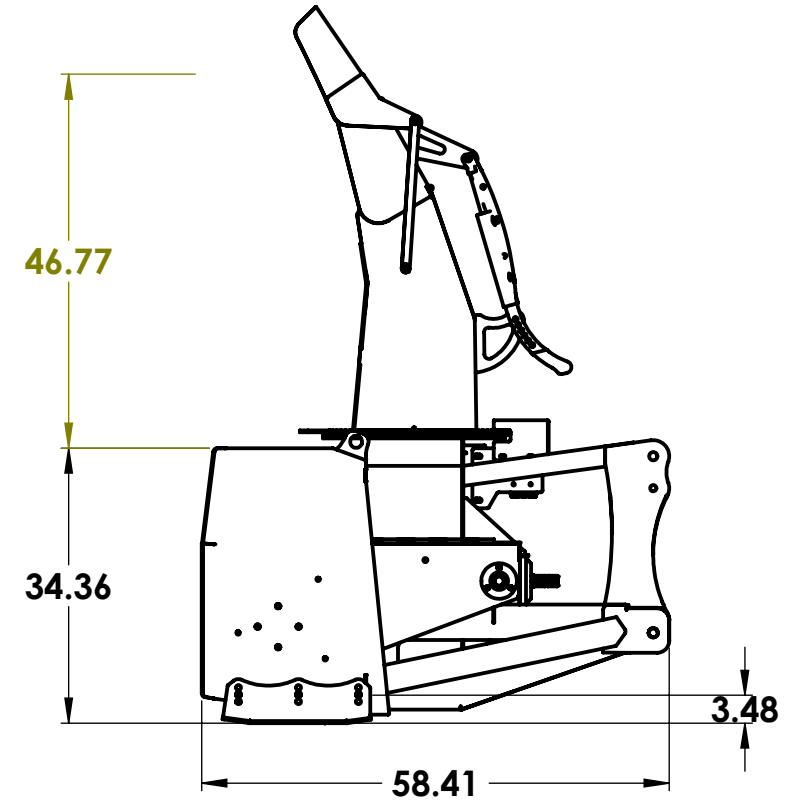
C

C



B

B



A

A

STREAMSIDE INDUSTRIES
 4181 Boomer Line, RR#1
 St. Clements, Ontario
 NOB 2M0

ELECTRONIC SIGNATURE DOCUMENT

APPROVAL STATUS: RELEASED TO PRODUCTION

UNLESS OTHERWISE SPECIFIED
 DIM & TOL PER ASME Y14.5M-1994
 DIMENSION ARE IN INCHES
 DECIMAL TOLERANCE

.X ±.1
 .XX ±.01
 .XXX ±.005

ANGULAR TOLERANCE ±1°
 DRAFT ANGLE 2° MAX
 MACHINED SURFACE
 FILLET & CORNER RADII .03
 DO NOT SCALE DRAWING

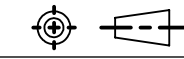
DRAWN BY:

R. KALOCSAI

DATE:

08/01/2016

THIRD ANGLE PROJECTION



INCHES

TITLE

84" SNOW BLOWER

SIZE	PART NO.	DWG NO.	REV
B	84-60A100	84-60A100	A

SCALE	1:24	WEIGHT	1156.680	SHEET 2 OF 5
-------	------	--------	----------	--------------

4

3

2

1

4

3

2

1

D

D

C

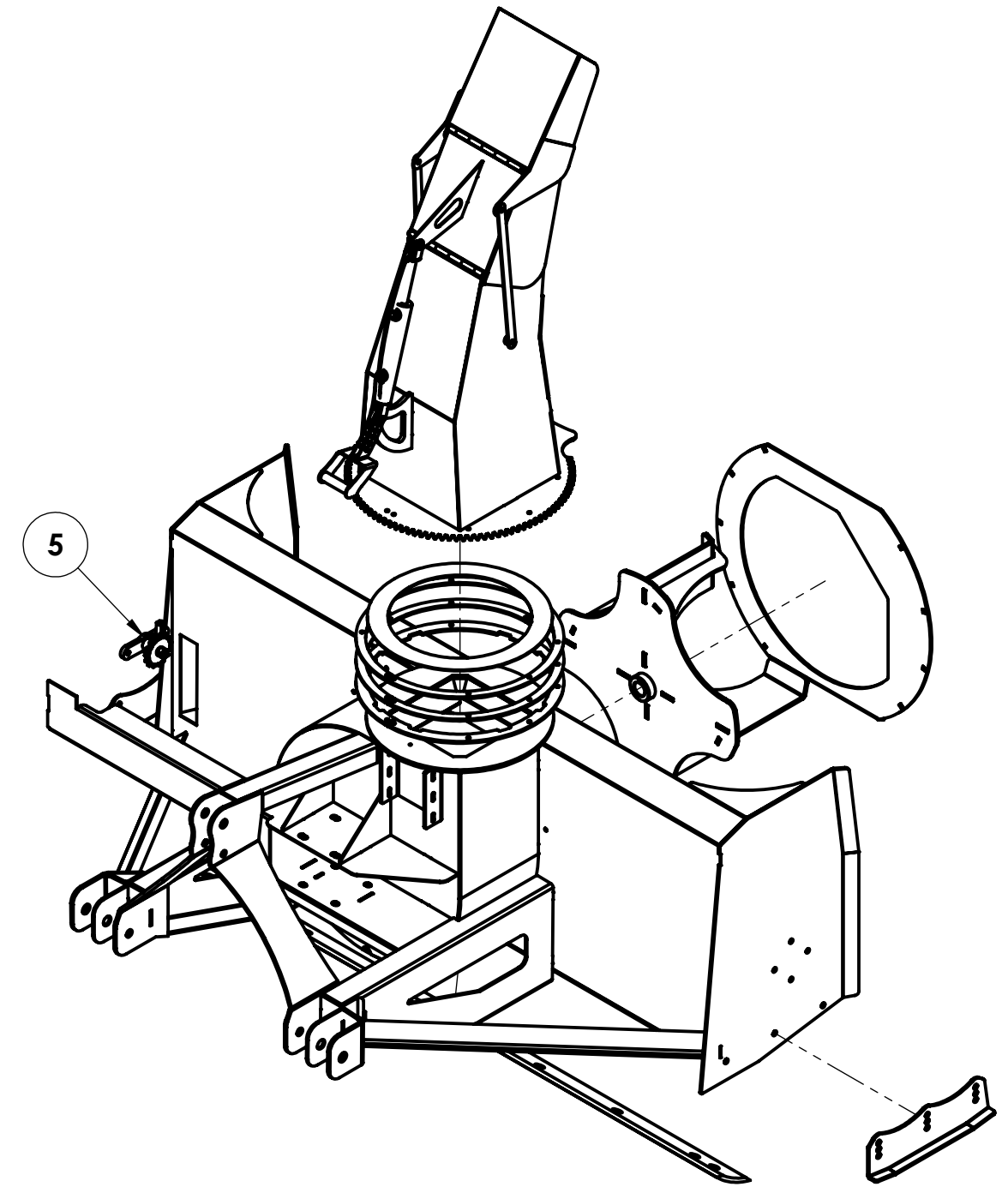
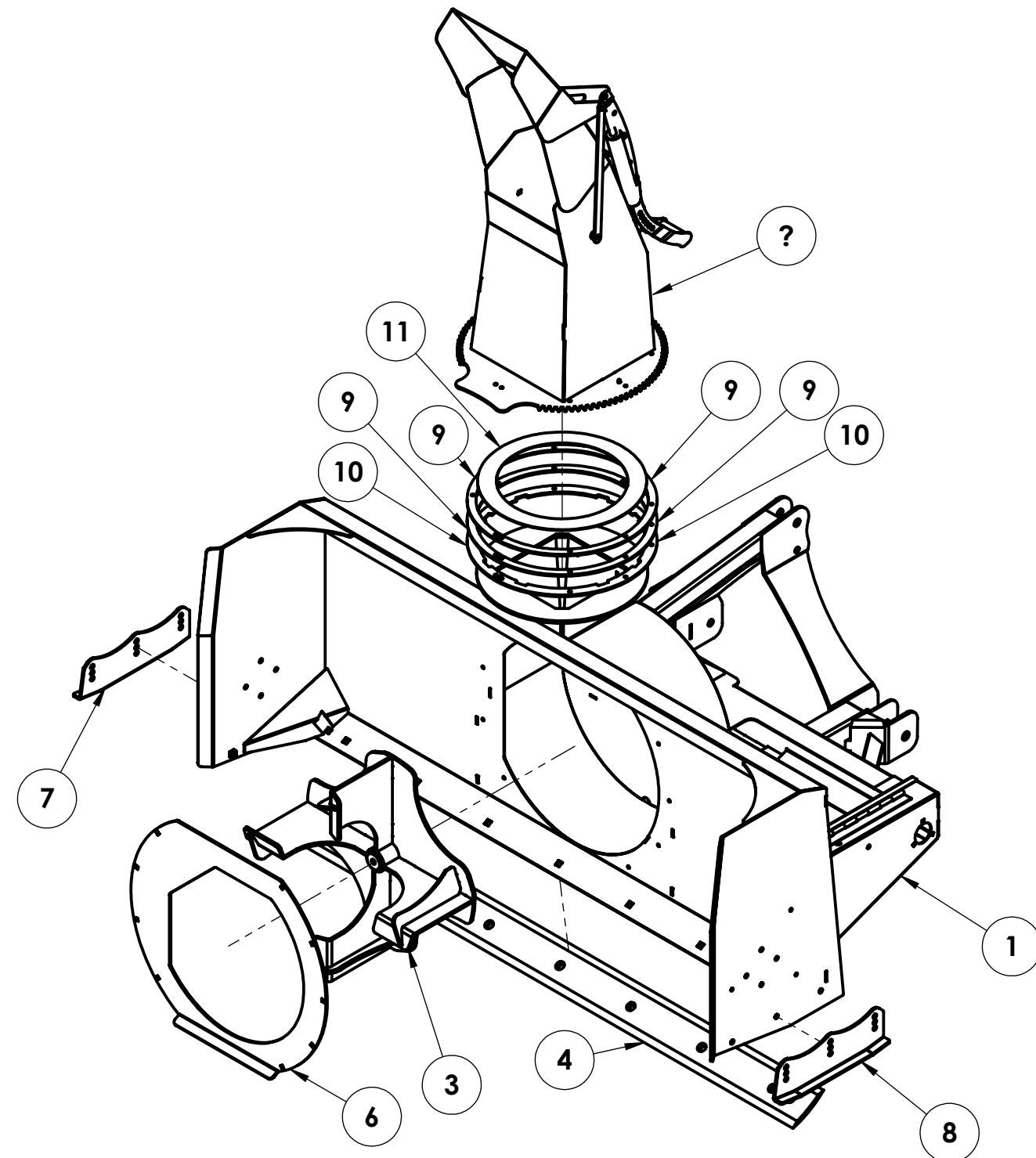
C

B

B

A

A



COMPONENTS ARE HIDDEN IN SOME VIEWS FOR CLARITY

STREAMSIDE INDUSTRIES
 4181 Boomer Line, RR#1
 St. Clements, Ontario
 NOB 2M0

ELECTRONIC SIGNATURE DOCUMENT
APPROVAL STATUS: RELEASED TO PRODUCTION

UNLESS OTHERWISE SPECIFIED
 DIM & TOL PER ASME Y14.5M-1994
 DIMENSION ARE IN INCHES
 DECIMAL TOLERANCE
 .X ±.1
 .XX ±.01
 .XXX ±.005
 ANGULAR TOLERANCE ±1°
 DRAFT ANGLE 2° MAX
 MACHINED SURFACE
 FILLET & CORNER RADII .03
 DO NOT SCALE DRAWING

DRAWN BY: **R. KALOCSAI** DATE: **08/01/2016**
 THIRD ANGLE PROJECTION

INCHES

TITLE			
84" SNOW BLOWER			
SIZE	PART NO.	DWG NO.	REV
B	84-60A100	84-60A100	A
SCALE	1:18	WEIGHT	1156.680
			SHEET 3 OF 5

4

3

2

1

4

3

2

1

D

D

C

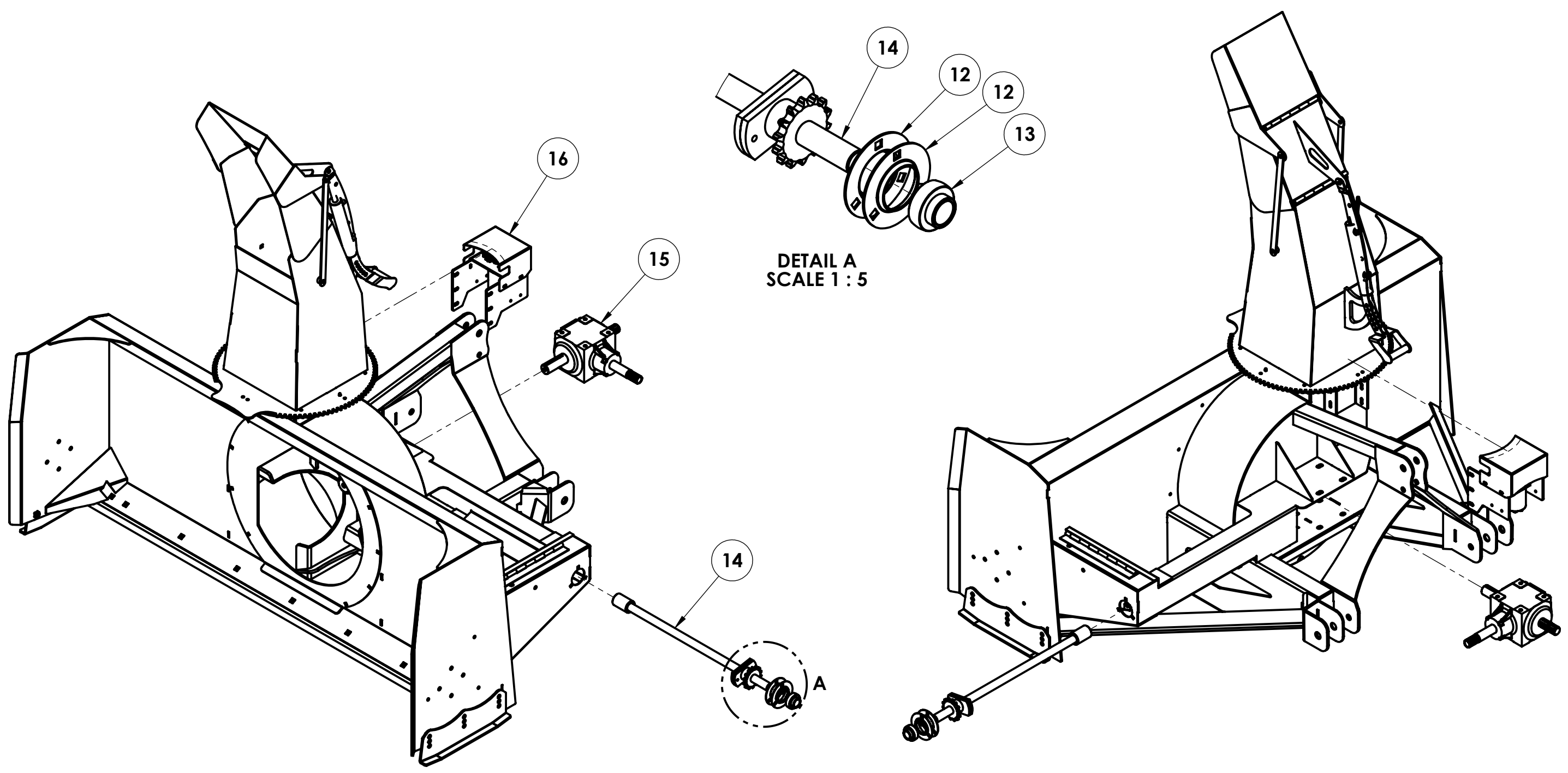
C

B

B

A

A

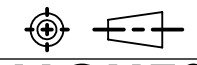


STREAMSIDE INDUSTRIES
 4181 Boomer Line, RR#1
 St. Clements, Ontario
 NOB 2M0

ELECTRONIC SIGNATURE DOCUMENT

APPROVAL STATUS: *RELEASED TO PRODUCTION*

UNLESS OTHERWISE SPECIFIED
 DIM & TOL PER ASME Y14.5M-1994
 DIMENSION ARE IN INCHES
 DECIMAL TOLERANCE .X ±.1
 .XX ±.01
 .XXX ±.005
 ANGULAR TOLERANCE ±1°
 DRAFT ANGLE 2° MAX
 MACHINED SURFACE $\sqrt{125}$
 FILLET & CORNER RADII .03
 DO NOT SCALE DRAWING

DRAWN BY: R. KALOCSAI DATE: 08/01/2016
 THIRD ANGLE PROJECTION

INCHES

TITLE			
84" SNOW BLOWER			
SIZE	PART NO.	DWG NO.	REV
B	84-60A100	84-60A100	A
SCALE	1:16	WEIGHT	1156.680
			SHEET 4 OF 5

4

3

2

1

4

3

2

1

D

D

C

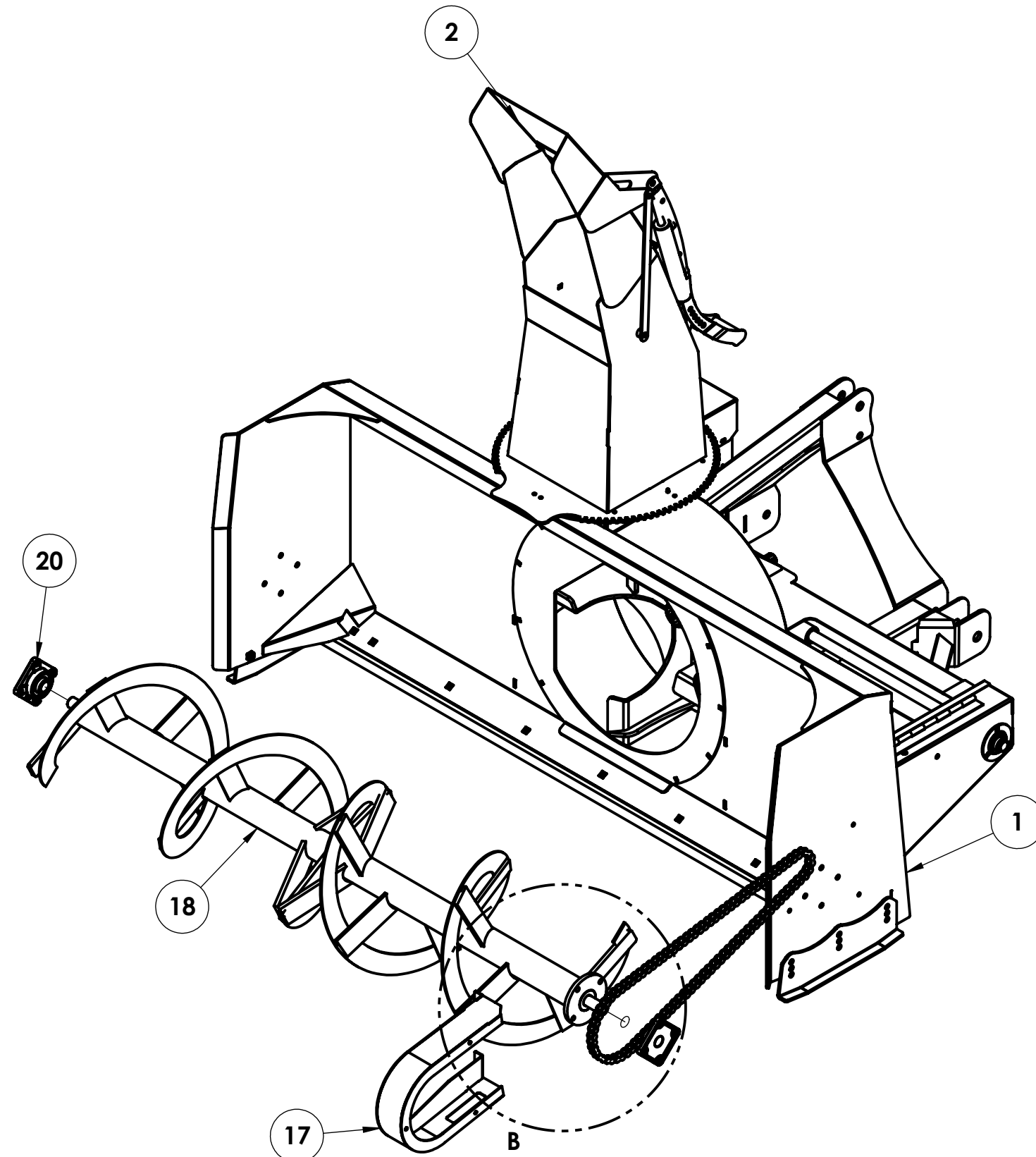
C

B

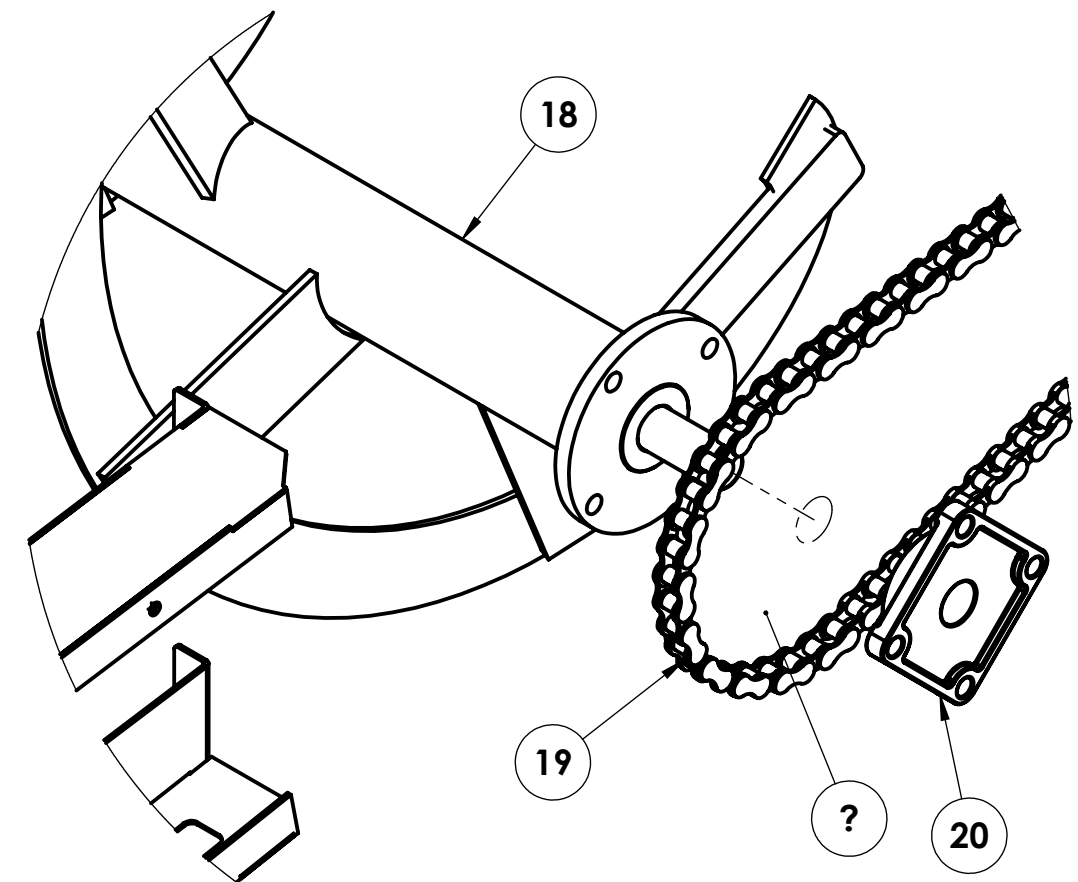
B

A

A



DETAIL B
SCALE 1 : 5



STREAMSIDE INDUSTRIES
4181 Boomer Line, RR#1
St. Clements, Ontario
NOB 2M0

ELECTRONIC SIGNATURE DOCUMENT

APPROVAL STATUS: **RELEASED TO PRODUCTION**

TITLE

84" SNOW BLOWER

UNLESS OTHERWISE SPECIFIED
DIM & TOL PER ASME Y14.5M-1994
DIMENSION ARE IN INCHES
DECIMAL TOLERANCE
.X ±.1
.XX ±.01
.XXX ±.005
ANGULAR TOLERANCE ±1°
DRAFT ANGLE 2° MAX
MACHINED SURFACE
FILLET & CORNER RADII .03
DO NOT SCALE DRAWING

DRAWN BY: **R. KALOCSAI** DATE: **08/01/2016**
THIRD ANGLE PROJECTION

INCHES

SIZE B	PART NO. 84-60A100	DWG NO. 84-60A100	REV A
SCALE 1:15	WEIGHT 1156.680	SHEET 5 OF 5	

4

3

2

1