



## ZMG SERIES MOWERS



***Precision Cutting Performance!***

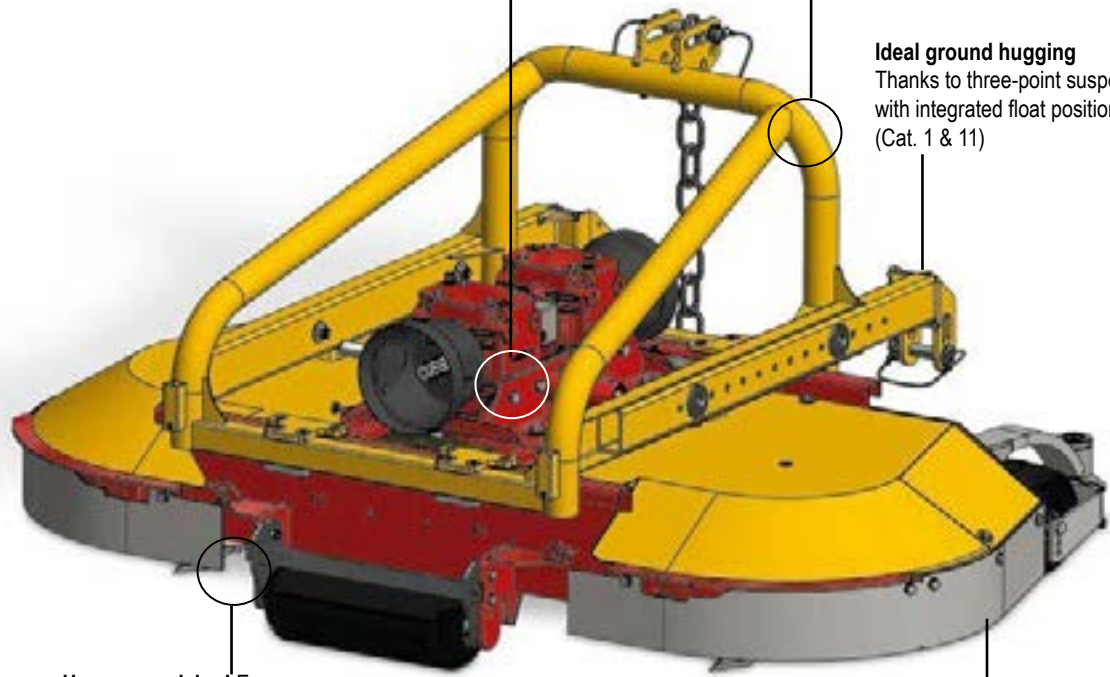


# ZMG MOWERS

**Reliable technology!** Robust angular gears, indirect drive of the blades via V-belt and protective labyrinth seal of the blade bearings

**Different three-point frames!** Rear, front + rear or mulch/spray combination

**Ideal ground hugging** Thanks to three-point suspension with integrated float position (Cat. 1 & 11)



**Uncompromising!** Enormous cutting performance, extreme blade overcut, high travel speed, even at extreme speed conditions

**Intelligent, solid construction!** Compact, weight-optimized and extremely reliable thanks to high-strength steels and quality components

**Ilmer ZMG Low Profile Series Mowers** are designed to efficiently mow grass with the option of discharging clippings in the row or to both sides of the machine. These high blade tip speed machines are equipped with double edge swinging blades for precision mowing, 1" cutting capacity.

## ZMG SERIES MOWERS

### FEATURES:

- Rear or Dual Side Discharge
- Double Edge Blades
- Belt Drive Spindles
- Front Swivel Wheels
- Rear Roller with Scraper
- Low Profile Deck
- Lateral Hydraulic Offset
- Powder Coat Paint
- Series 6 Driveline
- Dual Gearboxes
- Floating Top Link Chain
- 1" Cutting Capacity

### SPECIFICATIONS

MODELS	WORKING WIDTH	OVERALL WIDTH	CUTTING HEIGHT	3- POINT HITCH	OFFSET FROM CENTER	NO. OF BLADES	HP REQ'D	WEIGHT
ZMG-120	47"	49"	2" - 3-1/2"	Cat. 1	Fixed	6	22	836
ZMG-160	63"	65"	2" - 3-1/2"	Cat. 1	41"	6	24	946
ZMG-180	71"	73"	2" - 3-1/2"	Cat. 1	45"	6	30	990
ZMG-210	83"	85"	2" - 3-1/2"	Cat. 1	51"	6	35	1034
ZMG-230	90"	92"	2" - 3-1/2"	Cat. 1	55"	6	40	1078
ZMG-260	102"	104"	2" - 3-1/2"	Cat. 1	65"	6	47	1200



Phone (800) 426-2009 (509) 453-8271

[www.rankinequipment.com](http://www.rankinequipment.com)