

3-Point PTO Stump Grinder



The 3-Point Stump Grinder is mean to the stump but kind to your tractor. Its heavy-duty stabilizer base allows for more efficient grinding performance while reducing stress on the tractor. The PTO-driven cutting system delivers 810 RPM to the rotor and the hydraulic cylinders provide precise horizontal and vertical positioning.

HYDRAULIC CYLINDERS PROVIDE PRECISE HORIZONTAL AND VERTICAL POSITIONING



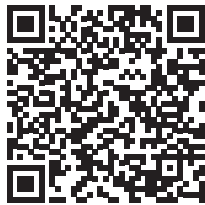
REPLACEABLE TEETH WITH ONE BOLT PER TOOTH



AN EASY AND EFFECTIVE WAY TO REMOVE STUMPS



Take a Picture of This QR Code With Your Smart Phone to See it in Action



Depth gauge to easily see how deep you are cutting with each pass

Heavy-duty gearbox transfers PTO power for high RPM and torque

HD Base Frame with skid shoes to prevent ripping up grass

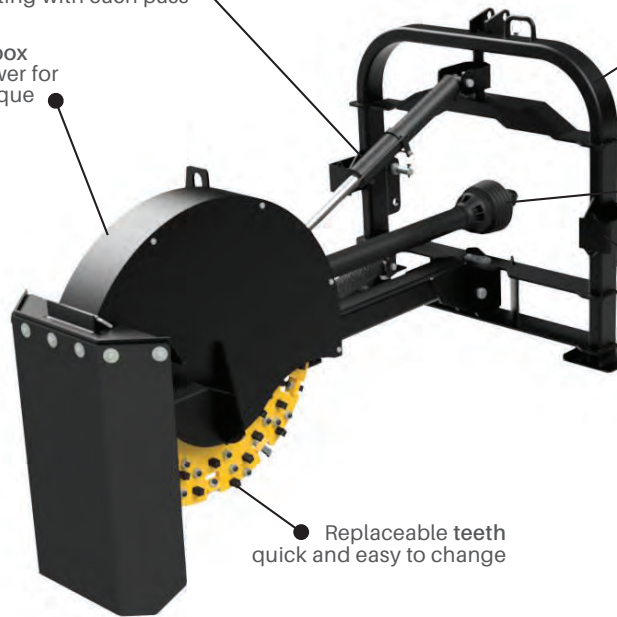
Driveline w/ slip clutch protection to prevent damage

Weight brackets fit most suitcase style weights for additional frame stability if needed



Optional: external control provides more precise cutting and feathering. Recommended for smaller tractors with limited horsepower or tractors with only one remote

Replaceable teeth quick and easy to change



FEATURES & BENEFITS

- Rugged gear box supports 803 ft/lb. of torque
- Heavy-duty base provides stable positioning
- Designed for 25-90 HP tractors
- 65° swing arc

SPECIFICATIONS / OPTIONS

Model	24"	34"
Part Number	920158	920159
Recommended HP	25-60 HP	45-90 HP
Hydraulic GPM	5-20 GPM	5-20 GPM
Rotor Size	24"	34"
Number of Teeth	58	92
Tooth Construction	Carbide steel bolt-in	Carbide steel bolt-in
Cutting Wheel Speed	810 RPM	810 RPM
Cutting Height	25" above ground	25" above ground
Cutting Depth	12" below ground	14" below ground
Maximum Cutting Depth (per pass)	6"	8"
Maximum Horizontal Cut	22"	33"
Swing Arc	65°	65°
Hub Torque	803 ft-lb	803 ft-lb
Over Torque Protection	Slip clutch	Slip clutch
Hitch Category	Cat. I or II	Cat. II
Remotes Required (hydraulic)	1 or 2	1 or 2
Requires 12 Volt DC	No	No
Input Speed	540	540
Weight/Width/Length	800 lb./41"/66.5"	1,100 lb./49"/78"

Options

External Control

Replacement Teeth (each)

* For more specification details please see our website www.erskineattachments.com

TRACTOR