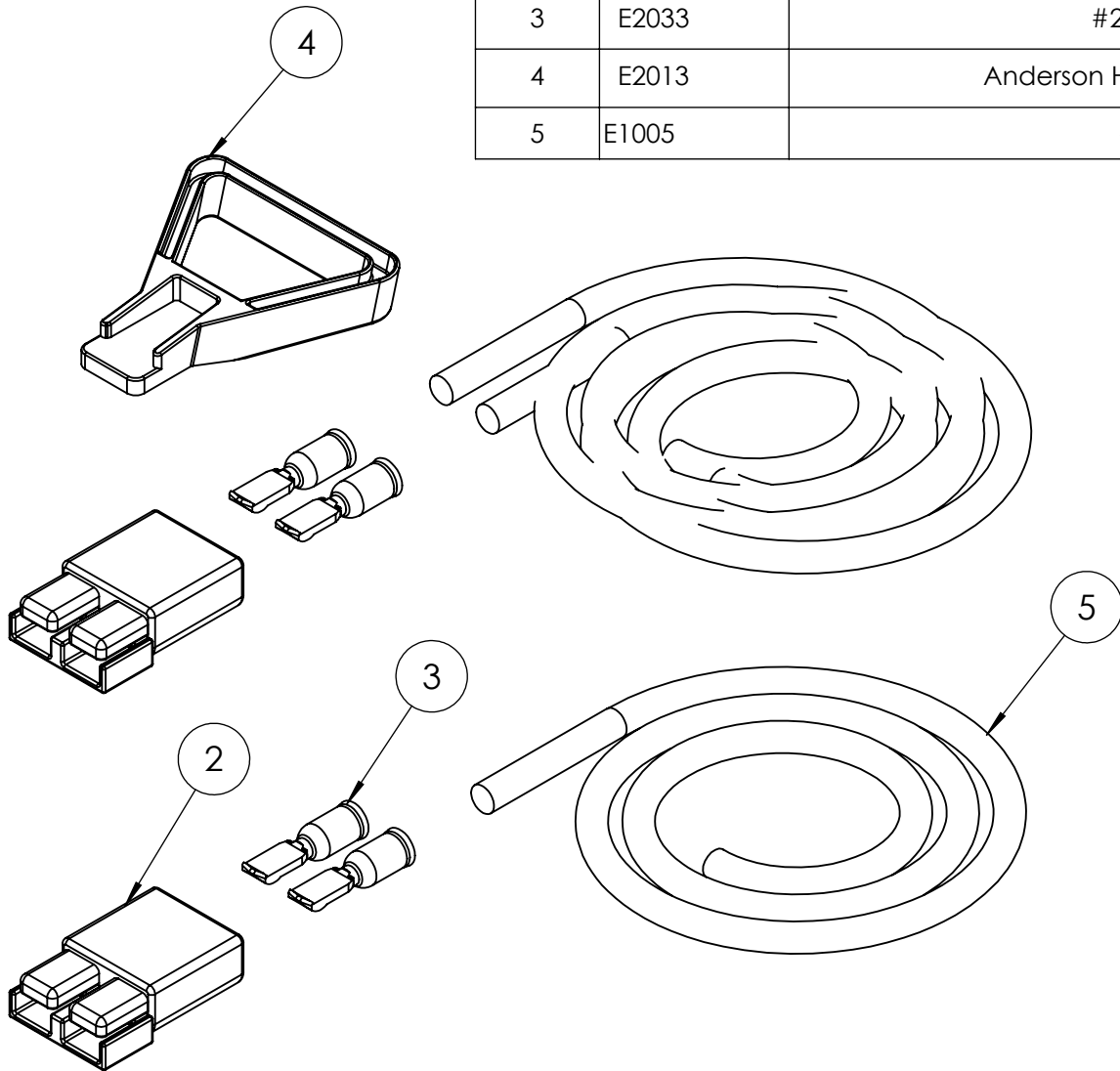


ITEM NO.	PART NUMBER	DESCRIPTION	QTY.
1	E1000	175 amp male Anderson plug complete with four #2pins (E2033) & handle	1
2	E2010	175 AMP Anderson Connector Housing	2
3	E2033	#2 Anderson Lug 175 amp	4
4	E2013	Anderson Handle for 175 amp and 350 amp	1
5	E1005	#2 PPC 600V CSA Wire	3



Cord Kit For QC45 & KR44 Generators

Note: For E1005 - 1 unit = 10 foot

PROPRIETARY AND CONFIDENTIAL
 THE INFORMATION CONTAINED IN THIS DRAWING IS THE SOLE PROPERTY OF BAUMALIGHT. ANY REPRODUCTION IN PART OR AS A WHOLE WITHOUT THE WRITTEN PERMISSION OF BAUMALIGHT IS PROHIBITED.



Description 10 foot (3 wire) #2 Cord Kit

Weight lbs	Thickness in.	K-Factor	DATE 21-04-2023	DWG. NO. E2012-D03-R1	REV R1
DO NOT SCALE DRAWING		SCALE: 1:10	SHEET 1 OF 10		

5

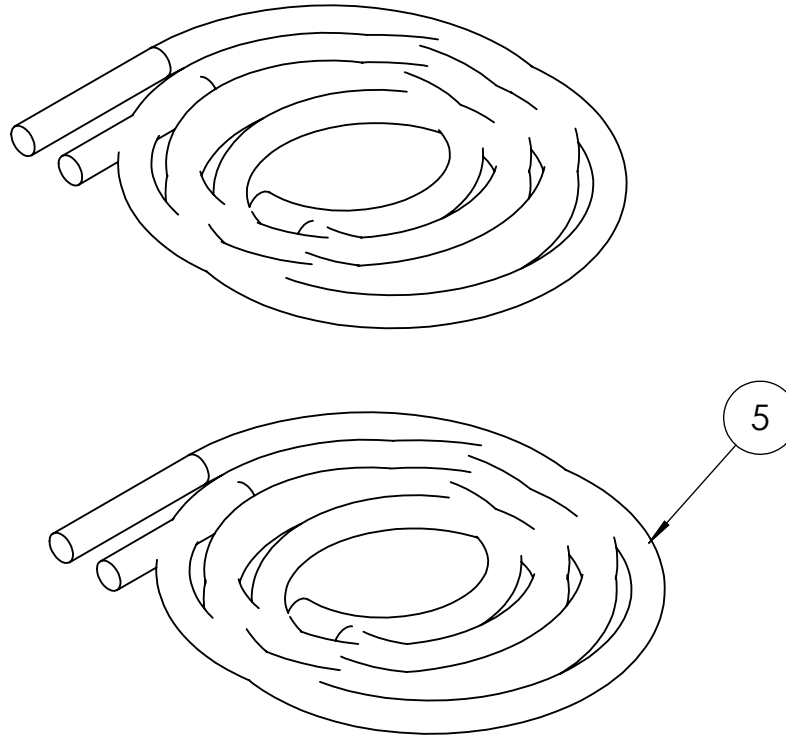
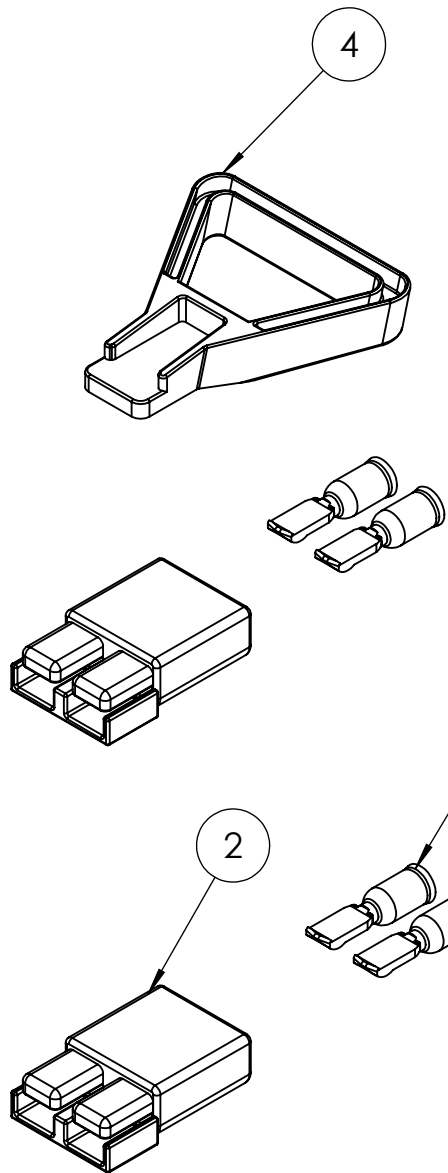
4

3

2

1

ITEM NO.	PART NUMBER	DESCRIPTION	QTY.
1	E1000	175 amp male Anderson plug complete with four #2pins (E2033) & handle	1
2	E2010	175 AMP Anderson Connector Housing	2
3	E2033	#2 Anderson Lug 175 amp	4
4	E2013	Anderson Handle for 175 amp and 350 amp	1
5	E1005	#2 PPC 600V CSA Wire	4



Cord Kit For QC45-2, QC45-3, QC105-4 & QC100-6 Generators

Note: For E1005 - 1 unit = 10 foot

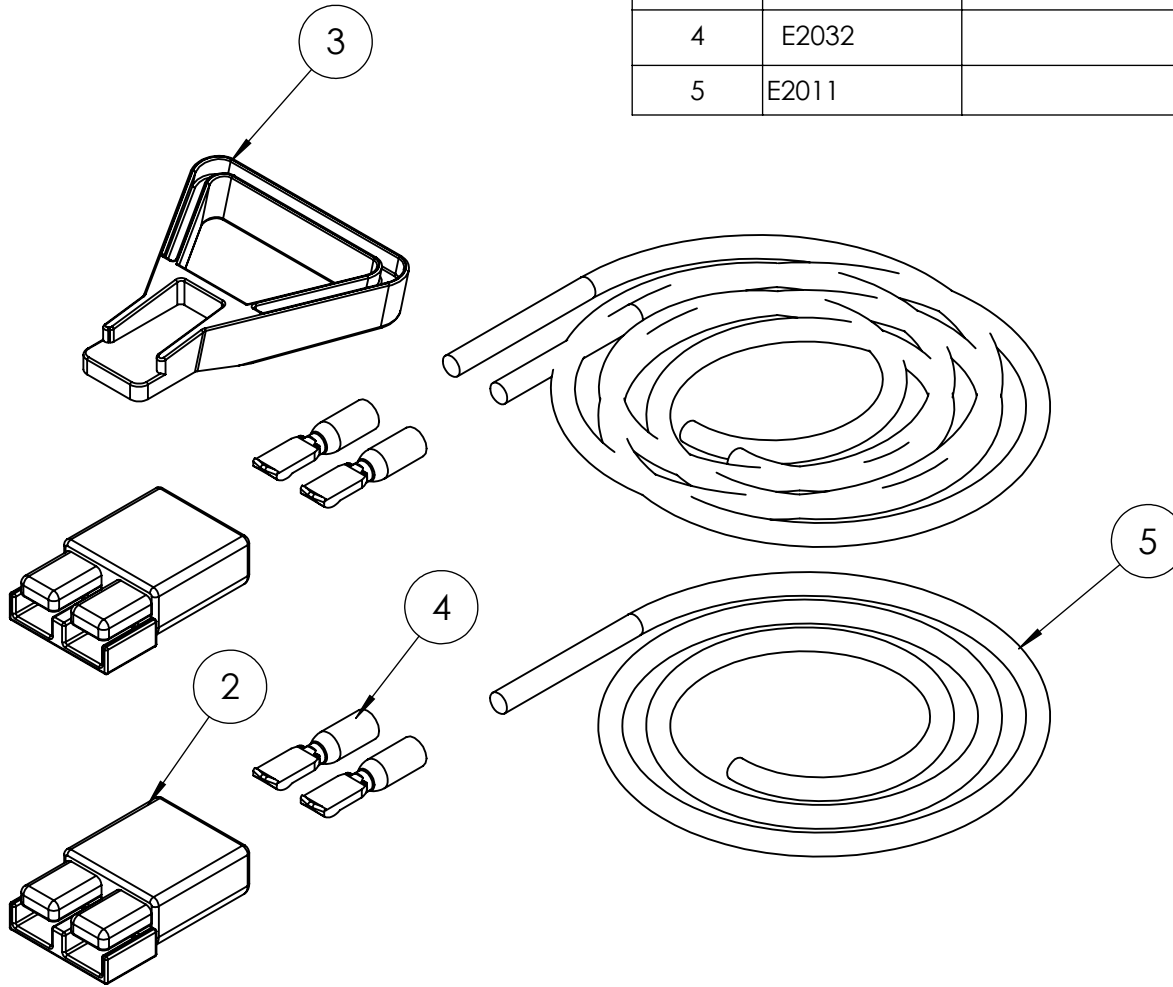
PROPRIETARY AND CONFIDENTIAL
 THE INFORMATION CONTAINED IN THIS DRAWING IS THE SOLE PROPERTY OF BAUMALIGHT. ANY REPRODUCTION IN PART OR AS A WHOLE WITHOUT THE WRITTEN PERMISSION OF BAUMALIGHT IS PROHIBITED.



Description 10 foot (4 wire) #2 Cord Kit

Weight lbs	Thickness in.	K-Factor	DATE 11-05-2023	DWG. NO. E2067-D03-R1	REV R1
DO NOT SCALE DRAWING		SCALE: 1:10	SHEET 2 OF 10		

ITEM NO.	PART NUMBER	DESCRIPTION	QTY.
1	E1001	175 amp male Anderson plug complete with four #4 pins & handle	1
2	E2010	175 AMP Anderson Connector Housing	2
3	E2013	Anderson Handle for 175 amp and 350 amp	1
4	E2032	#4 Anderson Lug 175 amp	4
5	E2011	#4 PPC 600V CSA Wire	3



**Cord Kit For QC19, QC30, KR30,
TX18, TX25 & TX31 Generators**

Note: For E2011 - 1 unit = 10 foot

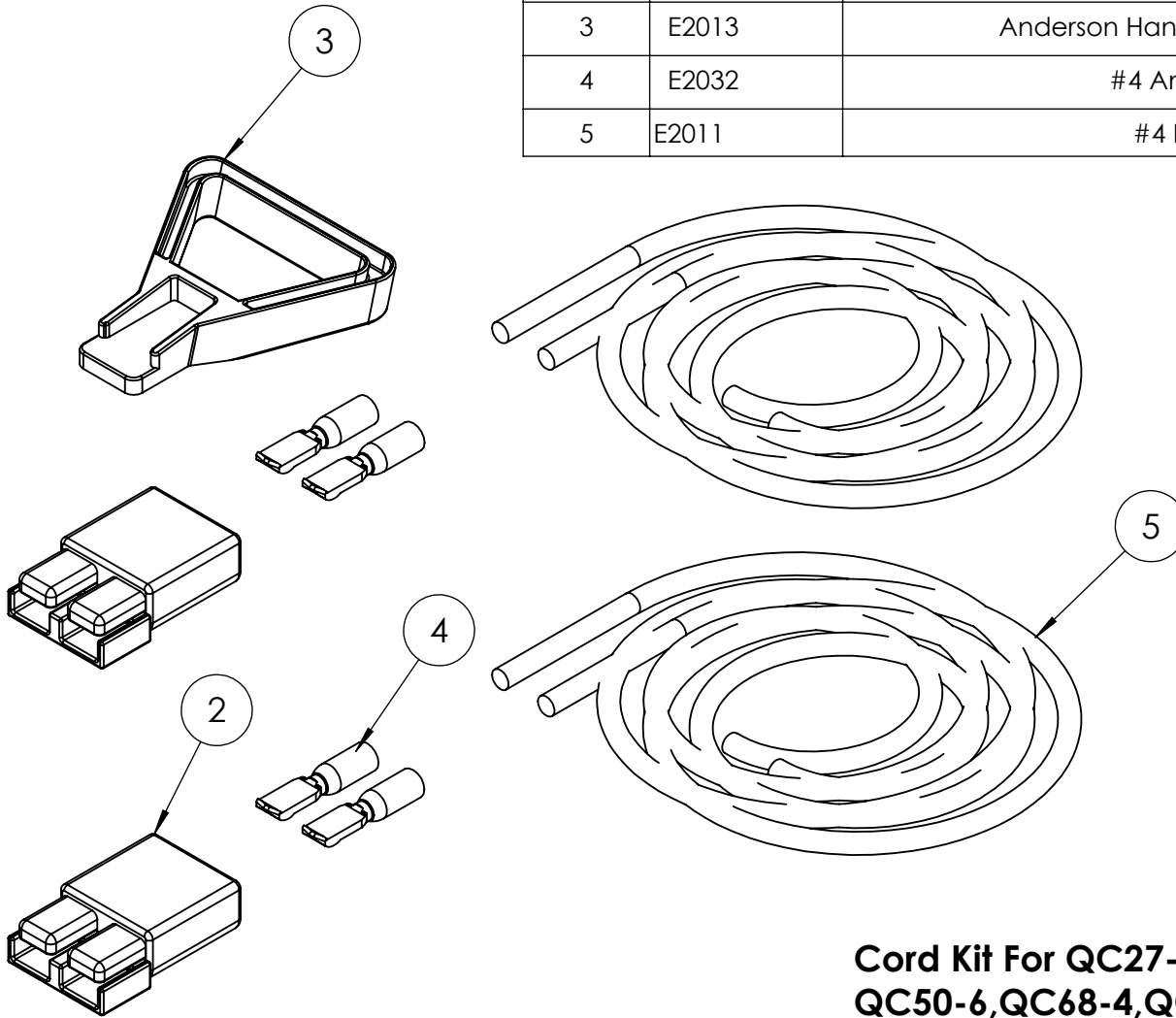
PROPRIETARY AND CONFIDENTIAL
THE INFORMATION CONTAINED IN THIS DRAWING IS THE SOLE PROPERTY OF BAUMALIGHT. ANY REPRODUCTION IN PART OR AS A WHOLE WITHOUT THE WRITTEN PERMISSION OF BAUMALIGHT IS PROHIBITED.



Description 10 foot (3 wire) #4 Cord Kit 30KW

Weight lbs	Thickness in.	K-Factor	DATE 11-05-2023	DWG. NO. E2047-D03-R1	REV R1
DO NOT SCALE DRAWING		SCALE: 1:10	SHEET 3 OF 10		

ITEM NO.	PART NUMBER	DESCRIPTION	QTY.
1	E1001	175 amp male Anderson plug complete with four #4 pins & handle	1
2	E2010	175 AMP Anderson Connector Housing	2
3	E2013	Anderson Handle for 175 amp and 350 amp	1
4	E2032	#4 Anderson Lug 175 amp	4
5	E2011	#4 PPC 600V CSA Wire	4



Cord Kit For QC27-6, QC30-2, QC30-3, QC30-4, QC45-4, QC50-6, QC68-4, QC75-6 Generators

Note: For E2011 - 1 unit = 10 foot

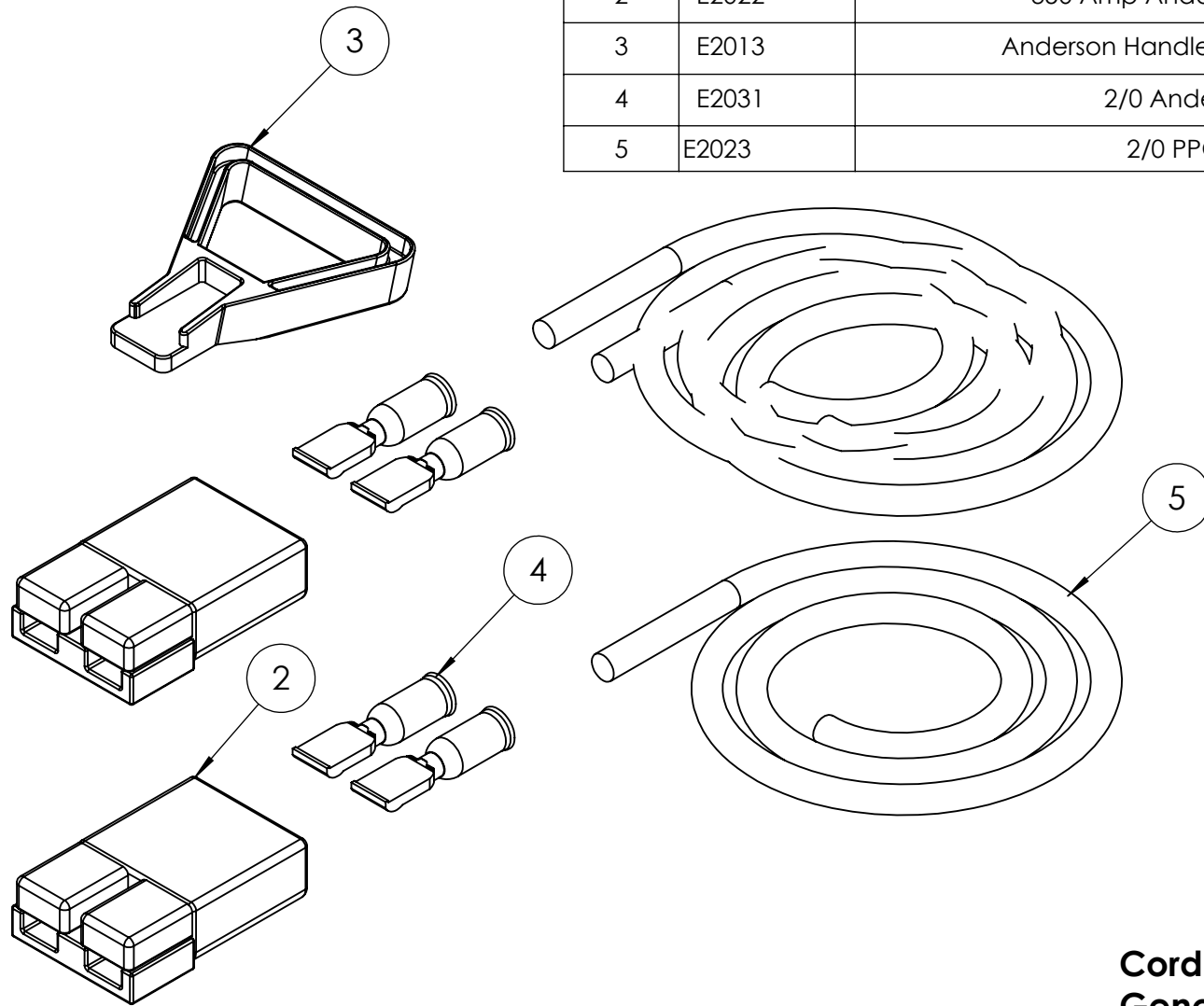
PROPRIETARY AND CONFIDENTIAL
 THE INFORMATION CONTAINED IN THIS DRAWING IS THE SOLE PROPERTY OF BAUMALIGHT. ANY REPRODUCTION IN PART OR AS A WHOLE WITHOUT THE WRITTEN PERMISSION OF BAUMALIGHT IS PROHIBITED.



Description 10 FT (4 wire) #4 Cord Kit

Weight lbs	Thickness in.	K-Factor	DATE 11-05-2023	DWG. NO. E2058-D03-R1	REV R1
DO NOT SCALE DRAWING	SCALE: 1:10	SHEET 4 OF 10			

ITEM NO.	PART NUMBER	DESCRIPTION	QTY.
1	E1002	350 amp male Anderson plug complete with four 2/0 pins & handle	1
2	E2022	350 Amp Anderson Connector Housing	2
3	E2013	Anderson Handle for 175 amp and 350 amp	1
4	E2031	2/0 Anderson Lug 350 amp	4
5	E2023	2/0 PPC 600V CSA Wire	3



Cord Kit For KR52, KR65, QC55 & QC65 Generators

Note: For E2023 - 1 unit = 10 foot

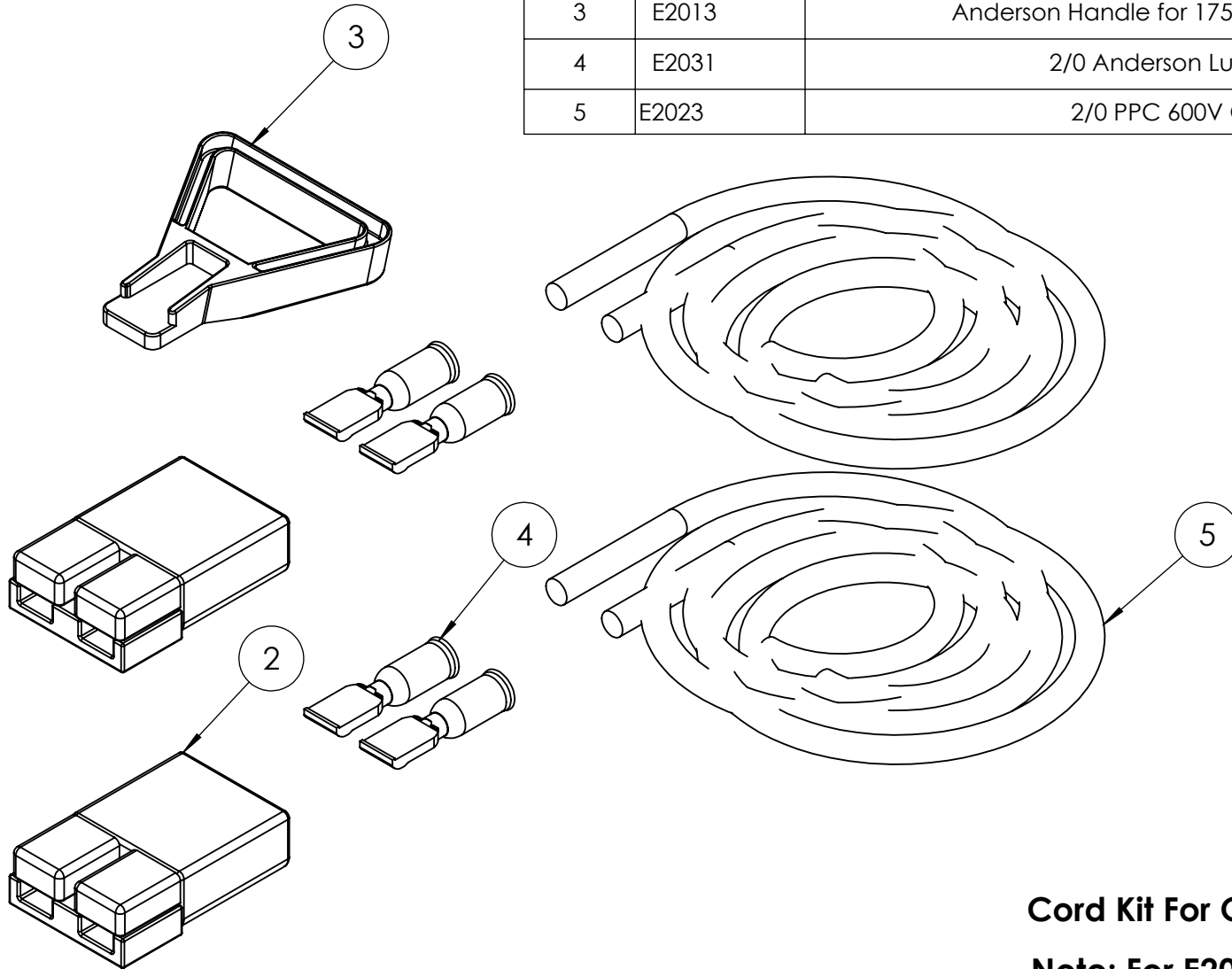
PROPRIETARY AND CONFIDENTIAL
 THE INFORMATION CONTAINED IN THIS DRAWING IS THE SOLE PROPERTY OF BAUMALIGHT. ANY REPRODUCTION IN PART OR AS A WHOLE WITHOUT THE WRITTEN PERMISSION OF BAUMALIGHT IS PROHIBITED.



Description 10 Foot (3 wire) 2/0 Cord Kit

Weight lbs	Thickness in.	K-Factor	DATE 21-04-2023	DWG. NO. E2024-D03-R1	REV R1
DO NOT SCALE DRAWING		SCALE: 1:10	SHEET 5 OF 10		

ITEM NO.	PART NUMBER	DESCRIPTION	QTY.
1	E1002	350 amp male Anderson plug complete with four 2/0 pins & handle	1
2	E2022	350 Amp Anderson Connector Housing	2
3	E2013	Anderson Handle for 175 amp and 350 amp	1
4	E2031	2/0 Anderson Lug 350 amp	4
5	E2023	2/0 PPC 600V CSA Wire	4



Cord Kit For QC68-2, QC68-3 Generators

Note: For E2023 - 1 unit = 10 foot

PROPRIETARY AND CONFIDENTIAL
 THE INFORMATION CONTAINED IN THIS DRAWING IS THE SOLE PROPERTY OF BAUMALIGHT. ANY REPRODUCTION IN PART OR AS A WHOLE WITHOUT THE WRITTEN PERMISSION OF BAUMALIGHT IS PROHIBITED.



Description 10 foot (4 wire) 2/0 Cord Kit

Weight lbs	Thickness in.	K-Factor	DATE 21-04-2023	DWG. NO. E2061-D03-R1	REV R1
DO NOT SCALE DRAWING		SCALE: 1:10	SHEET 6 OF 10		

5

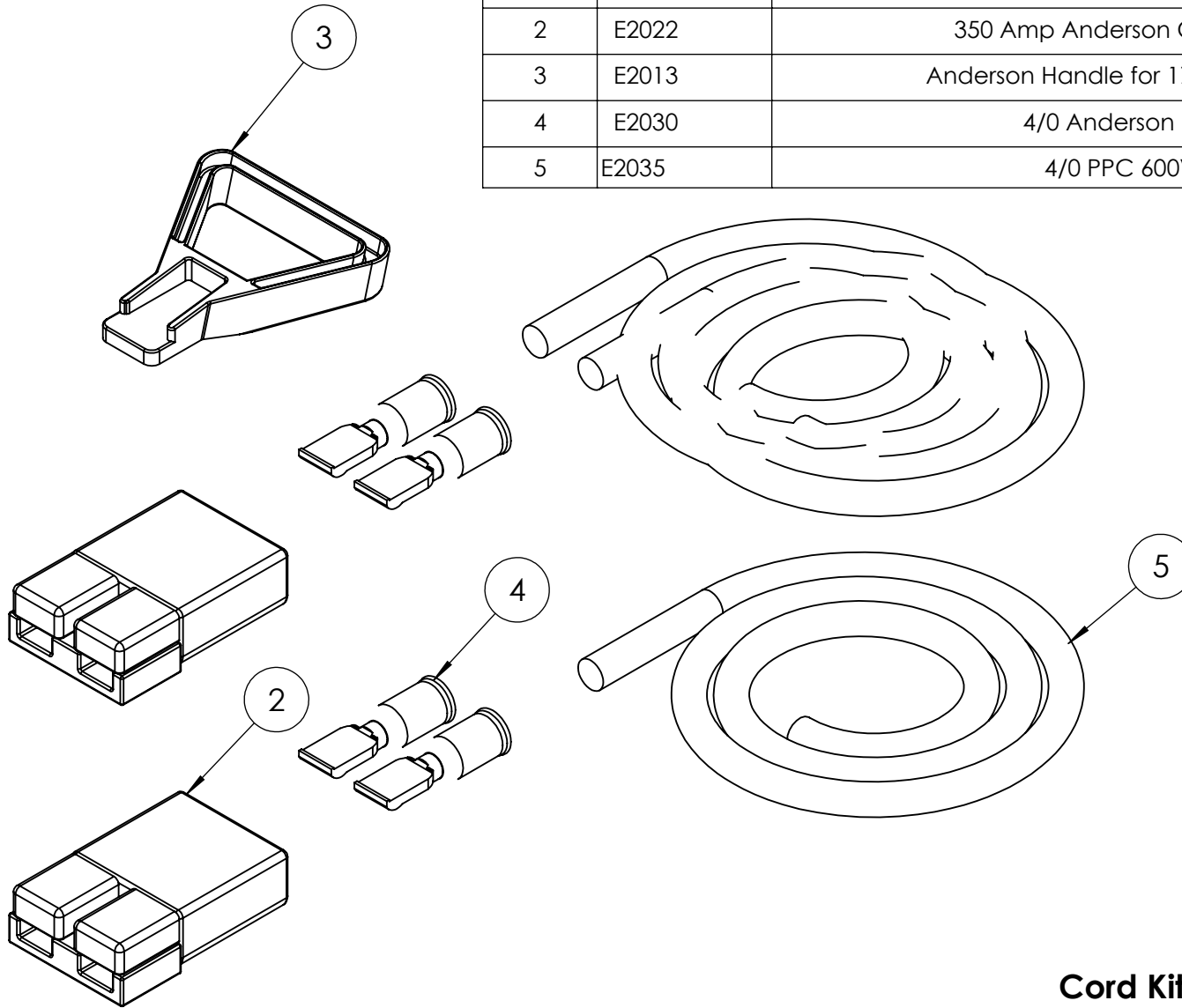
4

3

2

1

ITEM NO.	PART NUMBER	DESCRIPTION	QTY.
1	E1003	350 amp male Anderson plug complete with four 4/0 pins & handle	1
2	E2022	350 Amp Anderson Connector Housing	2
3	E2013	Anderson Handle for 175 amp and 350 amp	1
4	E2030	4/0 Anderson Lug 350 amp	4
5	E2035	4/0 PPC 600V CSA Wire	3



Cord Kit For QC80, QC100 Generators
Note: For E2035 - 1 unit = 10 foot

PROPRIETARY AND CONFIDENTIAL
 THE INFORMATION CONTAINED IN THIS DRAWING IS THE SOLE PROPERTY OF BAUMALIGHT. ANY REPRODUCTION IN PART OR AS A WHOLE WITHOUT THE WRITTEN PERMISSION OF BAUMALIGHT IS PROHIBITED.



Description 10 Foot (3 wire) 4/0 Cord Kit

Weight lbs	Thickness in.	K-Factor	DATE 21-04-2023	DWG. NO. E2036-D03-R1	REV R1
DO NOT SCALE DRAWING		SCALE: 1:10	SHEET 7 OF 10		

5

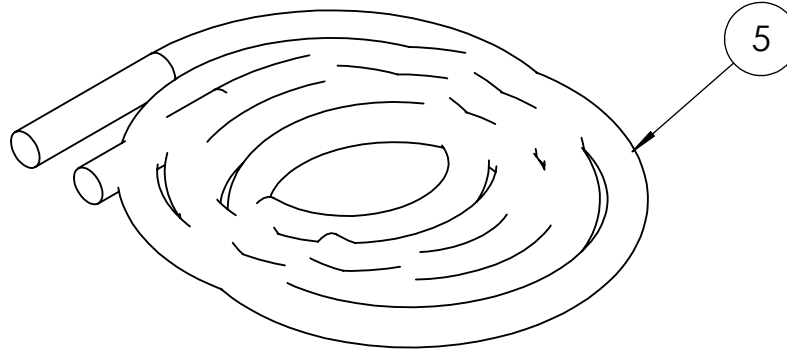
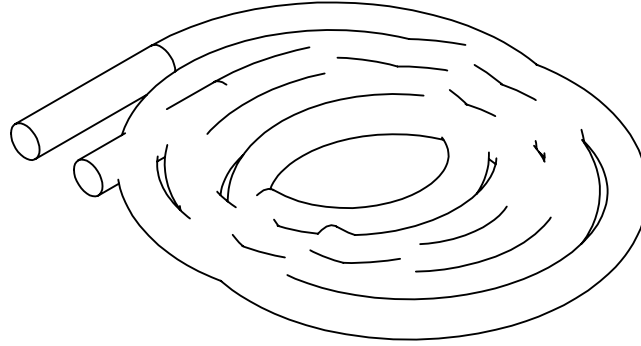
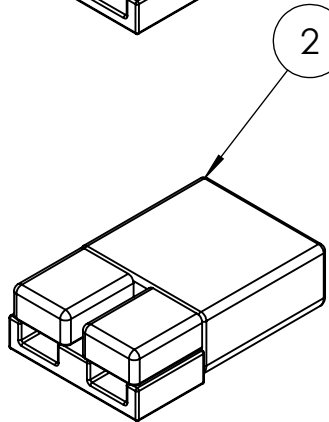
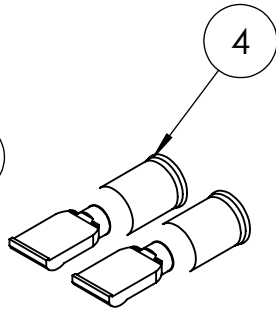
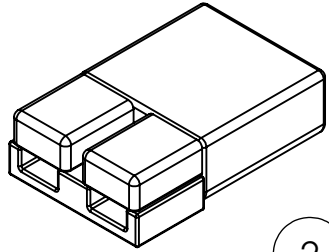
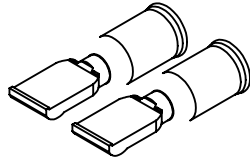
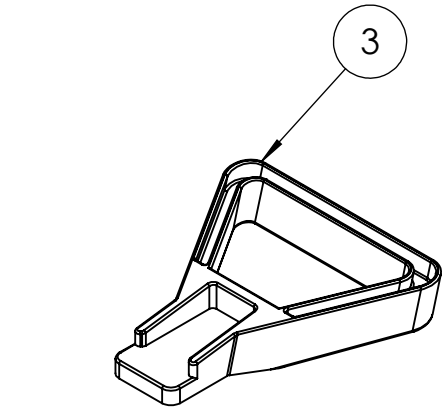
4

3

2

1

ITEM NO.	PART NUMBER	DESCRIPTION	QTY.
1	E1003	350 amp male Anderson plug complete with four 4/0 pins & handle	1
2	E2022	350 Amp Anderson Connector Housing	2
3	E2013	Anderson Handle for 175 amp and 350 amp	1
4	E2030	4/0 Anderson Lug 350 amp	4
5	E2035	4/0 PPC 600V CSA Wire	4



Cord Kit For QC105-2, QC105-3 Generators

Note: For E2035 - 1 unit = 10 foot

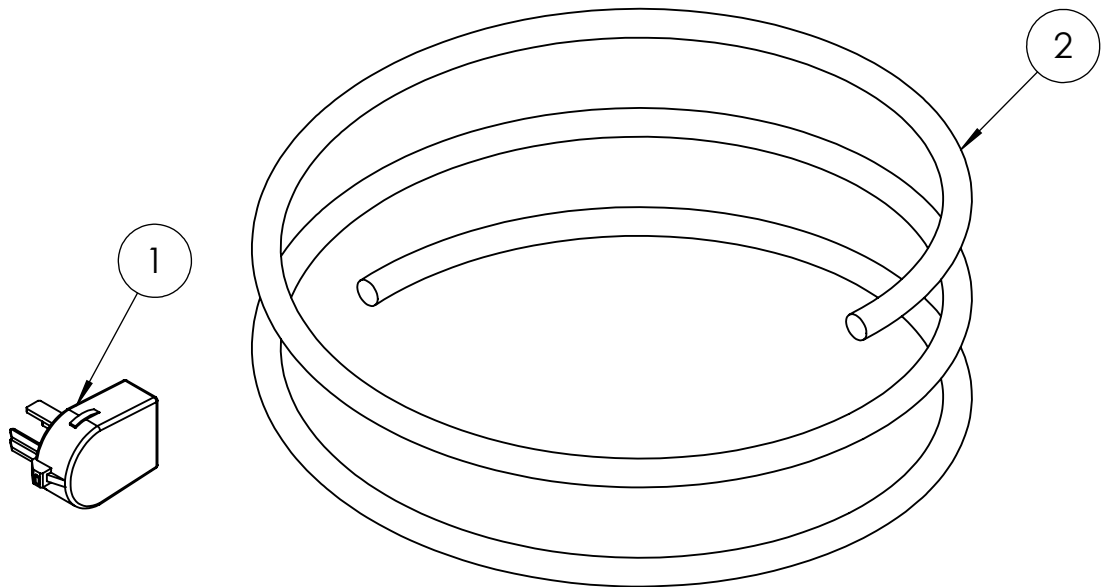
PROPRIETARY AND CONFIDENTIAL
 THE INFORMATION CONTAINED IN THIS DRAWING IS THE SOLE PROPERTY OF BAUMALIGHT. ANY REPRODUCTION IN PART OR AS A WHOLE WITHOUT THE WRITTEN PERMISSION OF BAUMALIGHT IS PROHIBITED.



Description 10 Foot (4 wire) 4/0 Cord Kit

Weight lbs	Thickness in.	K-Factor	DATE 21-04-2023	DWG. NO. E2064-D03-R1	REV R1
DO NOT SCALE DRAWING		SCALE: 1:10	SHEET 8 OF 10		

ITEM NO.	PART NUMBER	DESCRIPTION	QTY.
1	E2007	4 pole 50 amp male Range Receptacle Plug for TX7, TX12 & QC12	1
2	E2009	6/4 wire for TX7, TX12 & QC12	1



Cord Kit For TX7, TX12 & QC12 Generators

Note: For E2009 - 1 unit = 10 foot

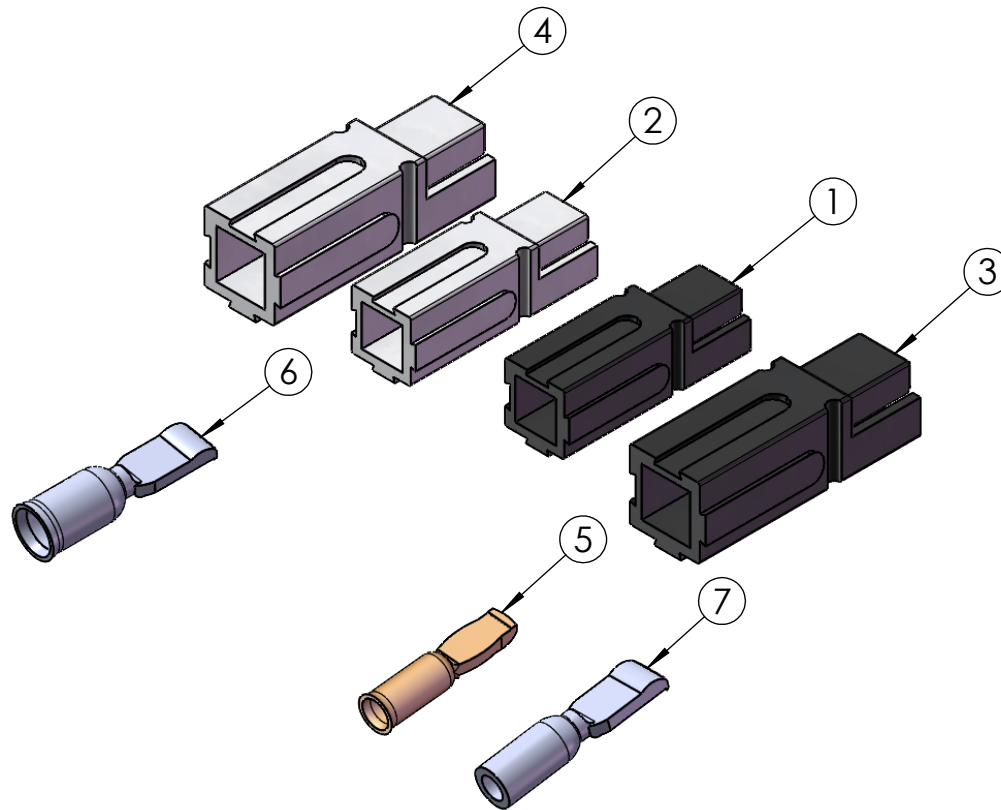
PROPRIETARY AND CONFIDENTIAL
 THE INFORMATION CONTAINED IN THIS DRAWING IS THE SOLE PROPERTY OF BAUMALIGHT. ANY REPRODUCTION IN PART OR AS A WHOLE WITHOUT THE WRITTEN PERMISSION OF BAUMALIGHT IS PROHIBITED.



Description 10 Foot 120/240 12Kw Cord Kit

Weight lbs	Thickness in.	K-Factor	DATE 21-04-2023	DWG. NO. E2046-D03-R1	REV R1
DO NOT SCALE DRAWING		SCALE: 1:10	SHEET 9 OF 10		

ITEM NO.	PART NUMBER	DESCRIPTION	QTY.
1	E2050	Jestech Plug Black 120 Amp Anderson (B-5)	1
2	E2051	Jestech Plug White 120 Amp Anderson (B-5)	1
3	E2052	Jestech Plug Black 180 Amp Anderson (B-5)	1
4	E2053	Jestech Plug White 180 Amp Anderson (B-5)	1
5	E2054	#2 Anderson Lug (Jestec) 120 amp (B-5)	1
6	E2033	#2 Anderson Lug 175 amp	1
7	E2032	#4 Anderson Lug 175 amp	1



PROPRIETARY AND CONFIDENTIAL
 THE INFORMATION CONTAINED IN THIS DRAWING IS THE SOLE PROPERTY OF BAUMALIGHT. ANY REPRODUCTION IN PART OR AS A WHOLE WITHOUT THE WRITTEN PERMISSION OF BAUMALIGHT IS PROHIBITED.



Description Jestec Plugs

Weight lbs	Thickness in.	K-Factor	DATE 21-04-2023
DO NOT SCALE DRAWING	SCALE: 1:2	SHEET 10 OF 10	

DWG. NO.
Jestec Plugs

REV
A