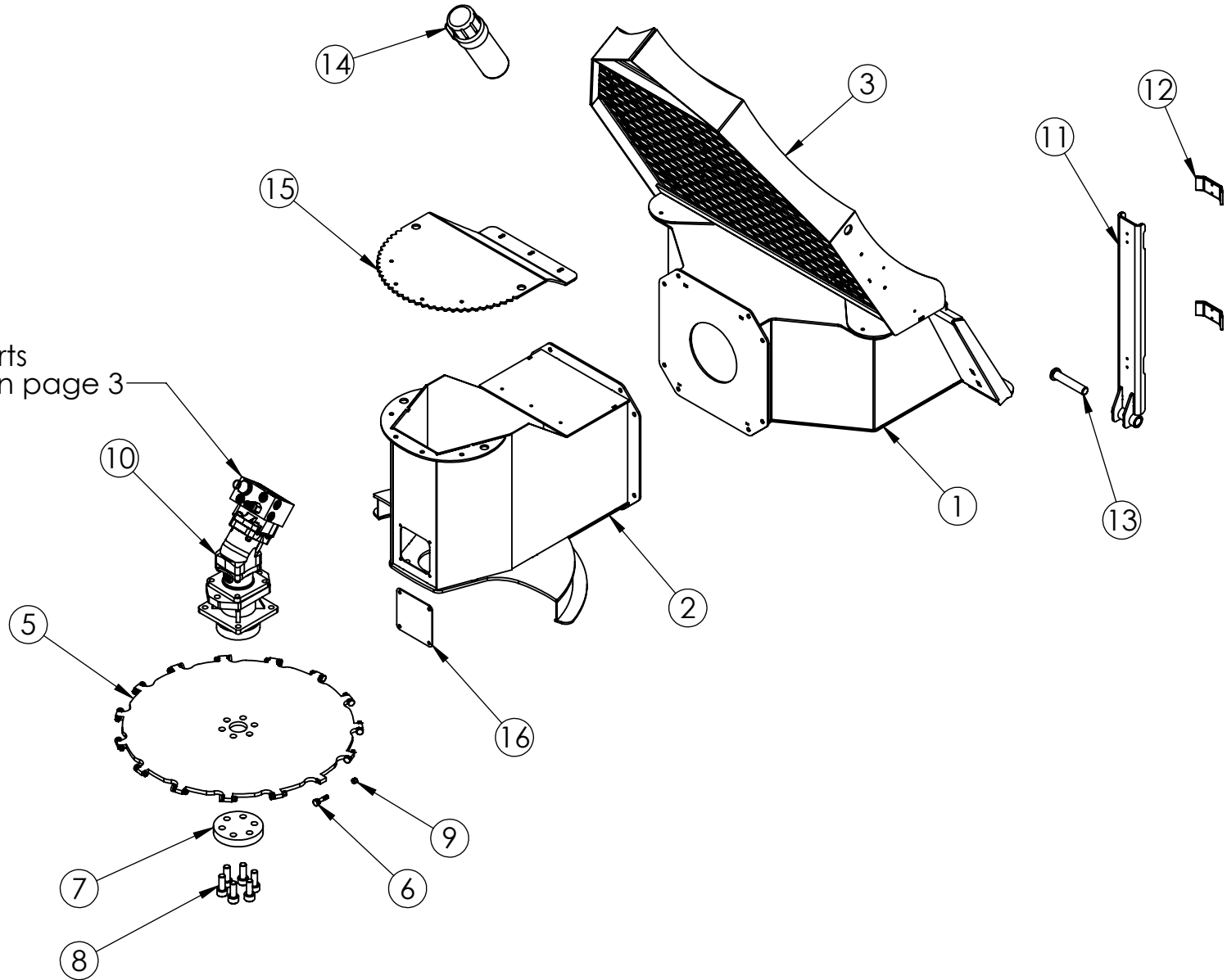


Complete parts  
breakdown on page 3



**PROPRIETARY AND CONFIDENTIAL**  
THE INFORMATION CONTAINED IN THIS DRAWING IS THE SOLE PROPERTY OF BAUMALIGHT. ANY REPRODUCTION IN PART OR AS A WHOLE WITHOUT THE WRITTEN PERMISSION OF BAUMALIGHT IS PROHIBITED.



Description

Tree Saw

Weight  
574.00

Thickness  
in.

DATE  
28-11-2019

DWG. NO.  
**DSM530-T530-D03-R1**

REV  
**R1**

DO NOT SCALE DRAWING

SCALE: 1:19

SHEET 1 OF 4

ITEM NO.	PART NUMBER	DESCRIPTION	QTY.
1	D004680	BODY	1
2	D004681	Main frame weldment	1
3	D003156	Safety shield	1
4	D002927	Rotor	1
5	AR400 D003324	Tree Saw - 30" Rotor without teeth	1
6	H3000	3/8" Carbide Cup Tooth	15
7	D004925	cover plate (used to be TS-5)	1
8	D004289	3/4" x 2" fine thread Allen bolt	6
9	D001625	3/8" Lock Nut	15
10	T530	47cc Bent Axis Piston Motor option	1
11	D003564	Hose Support	1
12	D001160	Hose Clamp Plate	2
13	D001028	1 x 5" Flange Pin	1
14	D001413-Z96503	Manual Tube 3-1/2 Short	1
15	DSM530-16	Top cover plate	1
16	DSM530-17	Cover Plate	1

**PROPRIETARY AND CONFIDENTIAL**  
 THE INFORMATION CONTAINED IN THIS DRAWING IS THE SOLE PROPERTY OF BAUMALIGHT. ANY REPRODUCTION IN PART OR AS A WHOLE WITHOUT THE WRITTEN PERMISSION OF BAUMALIGHT IS PROHIBITED.



Description

Tree Saw

Weight  
574.00

Thickness  
in.

DATE  
28-11-2019

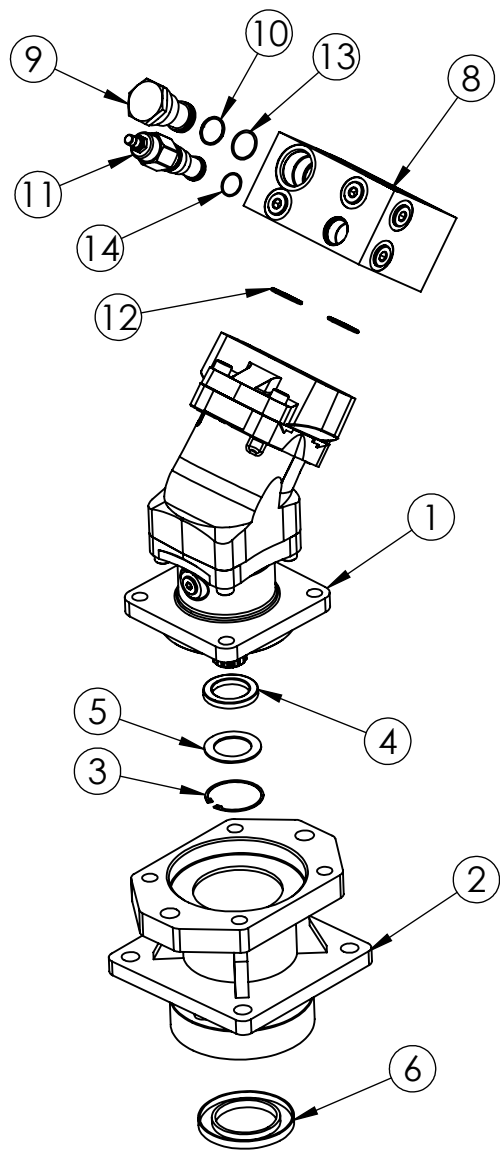
DWG. NO.  
**DSM530-T530-D03-R1**

REV  
**R1**

DO NOT SCALE DRAWING

SCALE: 1:19

SHEET 2 OF 4



**PROPRIETARY AND CONFIDENTIAL**  
 THE INFORMATION CONTAINED IN THIS DRAWING IS THE SOLE PROPERTY OF BAUMALIGHT. ANY REPRODUCTION IN PART OR AS A WHOLE WITHOUT THE WRITTEN PERMISSION OF BAUMALIGHT IS PROHIBITED.



Description

47cc Bent Axis Piston Motor option

Weight

Thickness  
in.

DATE  
28-11-2019

DWG. NO.  
**DSM530-T530-D03-R1**

REV  
**R1**

DO NOT SCALE DRAWING

SCALE: 1:7

SHEET 3 OF 4

ITEM NO.	PART NUMBER	DESCRIPTION	QTY.
1	D001215	C530 16-30 gpm 4,000 psi Bent Axis Piston Motor 47cc	1
2	D002252	Bearing Support - MDB-40 (MDH40C114F1)	1
3	D002133	Snap Ring for Sunfab motor SAE-C	1
4	D001366	High pressure shaft seal for Sunfab motor SAE-C	1
5	D002132	shaft Washer for Sunfab motor SAE-C	1
6	060183	Lip Seal Output - Exterior -60 x 90 x 8	1
7	D001214	Relief and Anti-Cav Assembly Valve block	1
8	D001993	Anti-cavitation Valve Block	1
9	D001991	Anti-cavitation Check Valve	1
10	D001992	#123 O-Ring	1
11	D001990	Pressure Relief Valve	1
12	D001995	#121 O-Ring	2
13	D001999	#022 O-Ring	1
14	D001998	#021 O-Ring	1

**PROPRIETARY AND CONFIDENTIAL**  
 THE INFORMATION CONTAINED IN THIS DRAWING IS THE SOLE PROPERTY OF BAUMALIGHT. ANY REPRODUCTION IN PART OR AS A WHOLE WITHOUT THE WRITTEN PERMISSION OF BAUMALIGHT IS PROHIBITED.



Description

47cc Bent Axis Piston Motor option

Weight

Thickness  
in.

DATE

28-11-2019

DWG. NO.

**DSM530-T530-D03-R1**

REV  
**R1**

DO NOT SCALE DRAWING

SCALE: 1:6

SHEET 4 OF 4