



# Landscape Seeder

For

**Skid Steer Loaders and  
Compact Tractors**  
(SERIAL NUMBER 1107080 AND LATER)

**Operator's Manual**  
**Maintenance**  
**Parts Information**



**Read this Manual Before Use**

**TABLE OF CONTENTS**

SAFETY	3-4
SERIAL NUMBER/DECAL LOCATION	5-6
MOUNTING INSTRUCTIONS	7-8
OPERATING INSTRUCTIONS	9-11
ROUTINE MAINTENANCE	12-13
PARTS INFORMATION	14-25
SEED BOX CALIBRATION CHART	26
GENERAL SPECIFICATIONS	27
BOLT TORQUE INFORMATION	28
NOTES	29-30
WARRANTY	31

**REFERENCE INFORMATION**

**Write the serial number for your attachment in the space below. Always use this serial number when calling for service or parts.**

Serial Number.....\_\_\_\_\_

**YOUR ATTACHMENTS DEALER**

**ADDRESS:** \_\_\_\_\_

**PHONE:** \_\_\_\_\_

**CONTACT:** \_\_\_\_\_

**NOTE:** *Erskine Attachments LLC reserves the right to make improvements in design or changes in specifications at any time without notice and without incurring any obligations to install them on units previously sold.*

# SAFETY

---

**DO NOT use or perform maintenance on this machine until this manual has been read and understood. In addition, read the Operation and Maintenance Manual(s) pertaining to the attachment and the attachment carrier (“Tractor” or “Loader”).**

The user is responsible for inspecting the machine daily, and for having parts repaired or replaced when continued use of the machine would cause damage, excessive wear to other parts or make the machine unsafe for continued operation.

If an operating procedure, tool device, maintenance or work method not specifically recommended is used; you must satisfy yourself that it is safe for you and others. You must also ensure that the attachment will not be damaged or made unsafe by the procedures you choose.

Erskine Attachments LLC cannot anticipate every possible circumstance that might involve potential hazard. The safety messages found in this manual and on the machine are therefore not all inclusive.

Throughout this manual, reference may be made to the left hand (LH) or right hand (RH) side. These terms are used as viewed from the operator’s seat facing front.

The signal words **CAUTION**, **WARNING**, or **DANGER** are used to indicate hazards.

**⚠ CAUTION** Indicates a potentially hazardous situation which, if not avoided, may result in minor or moderate injury.

**⚠ WARNING** Indicates a potentially hazardous situation which, if not avoided, could result in death or serious injury.

**⚠ DANGER** Indicates a potentially hazardous situation which, if not avoided, will result in death or serious injury.

The word **IMPORTANT** is used in the text when immediate damage will occur due to improper technique or operation.

The word **NOTE** is used to convey information that is out of context with the manual text; special information such as specifications, techniques, reference information, and other information of a supplementary nature.

## Improper operation can cause serious injury or death.

### Pre-operation

- This attachment is designed for drop seeding only. **NEVER** use this machine for any other purpose.
- Read the operators manual for the “Compact Tractor” or “Skid Steer Loader”. **NEVER** allow untrained people to operate.
- Operating instructions must be given to everyone before operating this attachment and at least once a year thereafter in accordance with OSHA regulations.
- Keep all shields, guards, and covers in place.
- Do not modify equipment or add attachments that are not approved by Erskine Attachments LLC.
- Use adequate safety warning lights and devices as required by local regulations. Obey all local laws and regulations regarding machine operation on public property.
- Only use attachment with a tractor equipped with a Roll Over Protection System (ROPS) and seatbelt.

### Operation

- Avoid loose fitting clothing. Clothing caught in moving parts may lead to serious injury or death.
- Do not exceed maximum transport speed of 15 MPH with the attachment. Reduce travel speed when turning and when travelling on rough terrain to prevent attachment damage or loss of control.
- Check and be sure all operating controls are in neutral before starting the engine.
- **NEVER** operate near embankments or terrain that is so steep that rollover could occur.
- Always stay in the operator position with seatbelt fastened when using the attachment.
- Before leaving the operators position, lower the attachment to rest flat on the ground, stop engine, set park brake, and wait for all motion to stop.

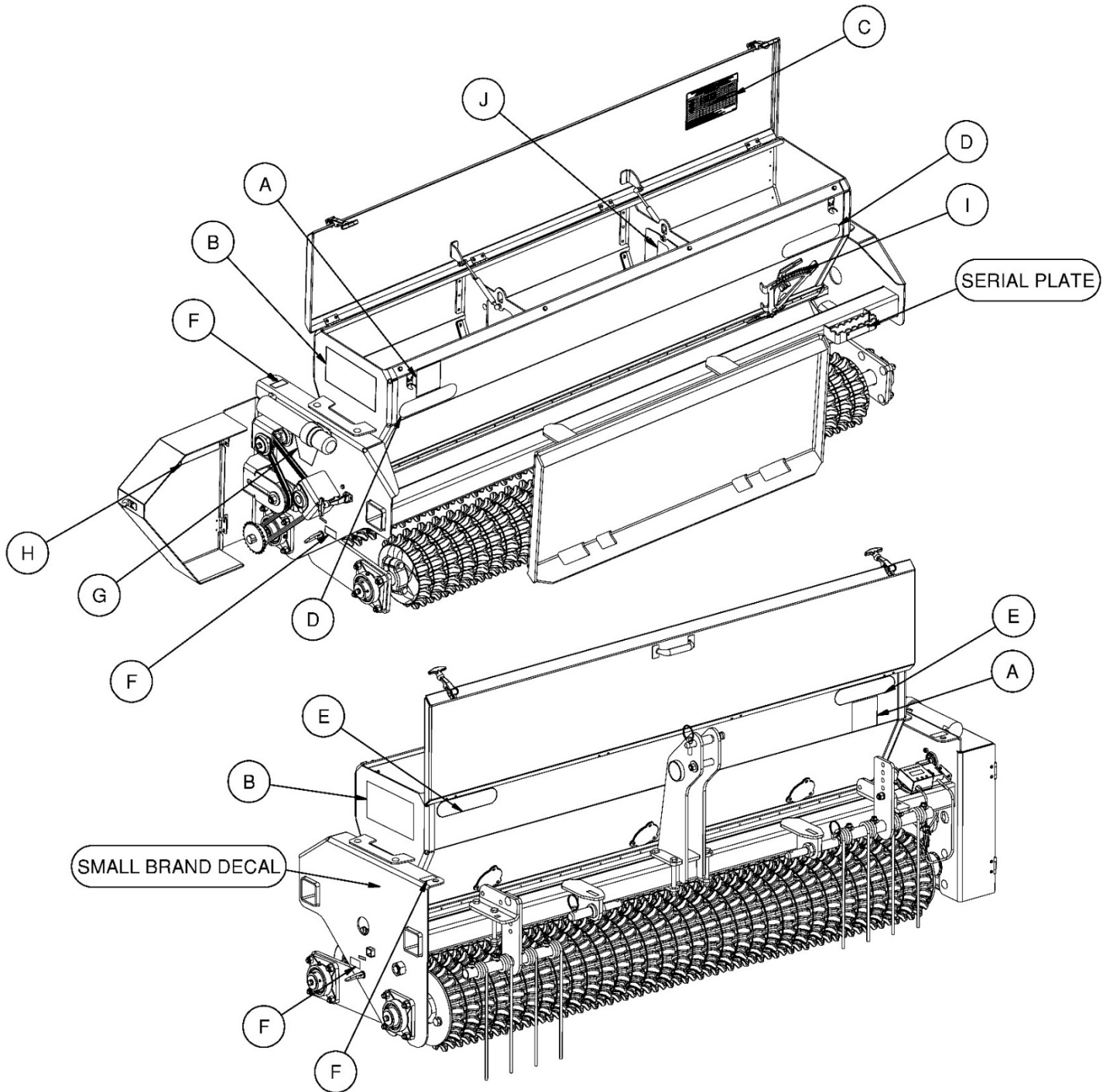
### Maintenance

- **NEVER** make adjustments, lubricate, clean, or perform any service on the machine while it is in operation.
- Make sure the attachment is serviced on a daily basis. Improper maintenance can cause serious injury or death in addition to damage to the attachment and/or your equipment.
- Before working underneath the attachment, securely support attachment.

# SERIAL NUMBER AND SAFETY DECAL LOCATIONS

## Serial Number Location:

It is important to refer to the serial number of your attachment when making repairs or ordering parts. Early or later models (identification made by serial number) may use different parts, or it may be necessary to use different procedures in doing a specific operation.



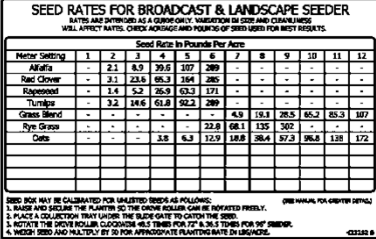
# SERIAL NUMBER AND SAFETY DECAL LOCATIONS



**Part Number: 317706**

**Location:** On front & rear of seed box, RH side

**Quantity: 2**

**(C)** 

Meter Setting	Seed Rate in Pounds Per Acre											
	1	2	3	4	5	6	7	8	9	10	11	12
Alfalfa	2.1	8.9	39.5	107	289	-	-	-	-	-	-	-
Rice Clover	3.1	24.4	65.3	144	285	-	-	-	-	-	-	-
Rhoades	1.4	5.2	25.9	62.3	171	-	-	-	-	-	-	-
Turnips	3.2	14.6	61.8	92.3	289	-	-	-	-	-	-	-
Grass Blend	-	-	-	-	-	4.9	19.8	28.5	86.2	83.3	107	-
Eye Grass	-	-	-	-	-	23.8	68.1	135	202	-	-	-
Orzo	-	-	3.5	6.3	12.9	18.8	28.4	37.3	96.8	138	172	-

SEED BOX MAY BE CALIBRATED FOR UNLIMITED SEEDS AS FOLLOWS:  
 1. SHIELD AND CHAIN THE FLIGHTER TO THE CHAIN HOLDER CAN BE ADJUSTED FREELY.  
 2. PLACE A COLLECTION TRAY UNDER THE SLIDE GATE TO CATCH THE SEED.  
 3. ACTIVATE THE SEED METER AND OPERATOR WILL TRIM FOR 70% OF SEED TONNAGE PER HOUR.  
 4. CHECK SEED AND TONNAGE TO BE 20% APPROXIMATELY PLANTED RATE IN SEEDS.

**Part Number: 423252**

**Location:** RH on inside of seed box cover

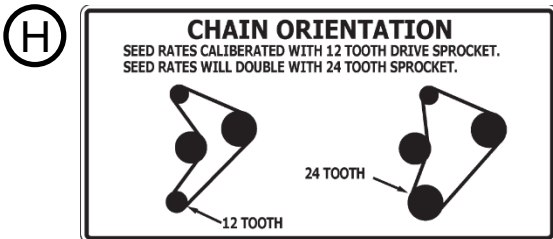
**Quantity: 1**



**Part Number: 317707**

**Location:** Near pin parking & operating locations

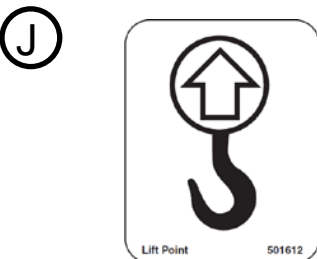
**Quantity: 4**



**Part Number: 317708**

**Location:** On inside of chain shield

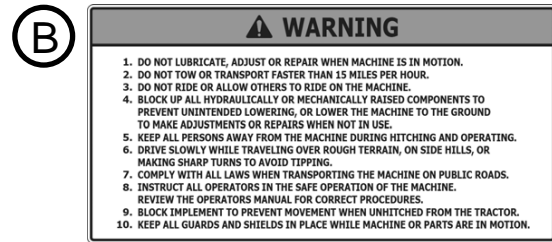
**Quantity: 1**



**Part Number: 501612**

**Location:** On inside of seed box tensioner w/a

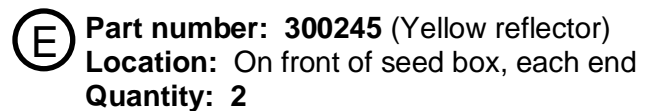
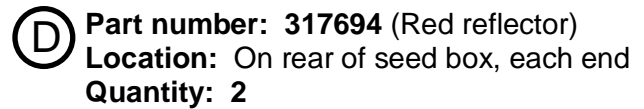
**Quantity: 2**



**Part Number: 317704**

**Location:** On each side of seed box

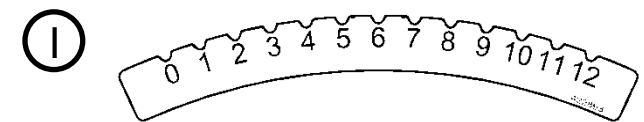
**Quantity: 2**



**Part Number: 103206**

**Location:** Under chain shield

**Quantity: 1**



**Part Number: 422893**

**Location:** On metering handle

**Quantity: 1**

**Small Brand Decal**

**Location:** On each end

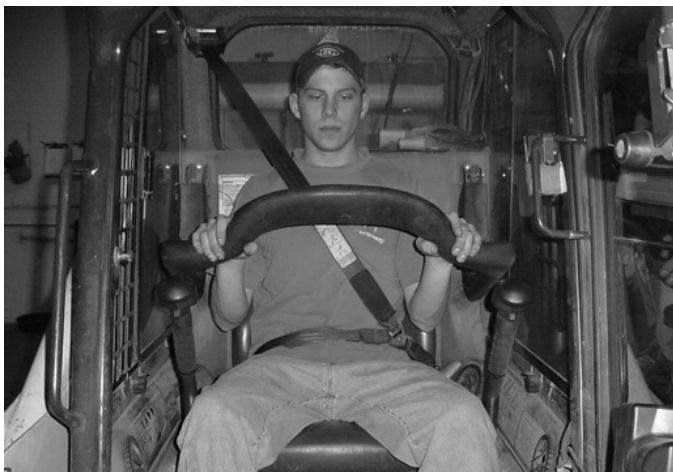
**Quantity: 2**

**Safety Decal Locations:**

The locations of the safety decals are shown. If these decals are missing, damaged, or painted over they must be replaced. Call Erskine Attachments LLC (218-435-4045) for replacement decals.

# MOUNTING INSTRUCTIONS

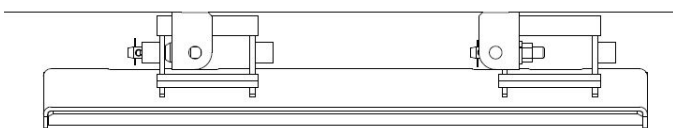
After the initial set-up assembly is complete, use the following procedure to mount the attachment to the loader for user operation.



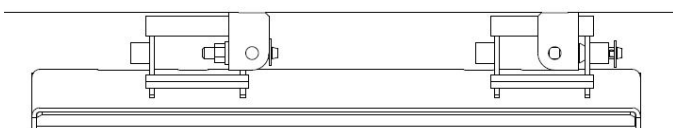
## Mounting to a Loader

1. Use the step, safety treads, and grab handles to get on and off the loader and attachment.
2. Sitting in the operator's seat, lower the seat bar (if so equipped), and fasten the seat belt.
3. Drive the loader to the rear of the attachment. Put the loader quick attach coupler into the attachment mounting bracket.
4. Tilt the loader coupler backward a small amount until it is fully engaged in the attachment mounting bracket.
5. Stop the engine and engage the park brake.
6. Secure the coupler locking mechanism that attaches the attachment to the loader.

**⚠ WARNING** Coupler wedges or pins must extend through the holes in the attachment mounting plate. Levers must be fully down and locked. Failure to secure wedges or pins can allow attachment to come off and cause injury or death.



**Mounting Plate Standard Position**



**Mounting Plate Offset Position**

## Mounting Plate Offset

The mounting plate can be offset by 5" to accommodate loaders that are wider than 72". Follow the process below to offset the mounting plate:

1. Remove the two snap ring pins and slide the mounting plate off of the hitch pins.
2. Remove the two hitch pins and reverse their direction so that they are pointing toward the right side of the attachment.
3. Slide the mounting plate back onto the hitch pins and reinstall the snap ring pins to secure in place.

# MOUNTING INSTRUCTIONS

After the initial set-up assembly is complete, use the following procedure to mount the attachment to the tractor for user operation.

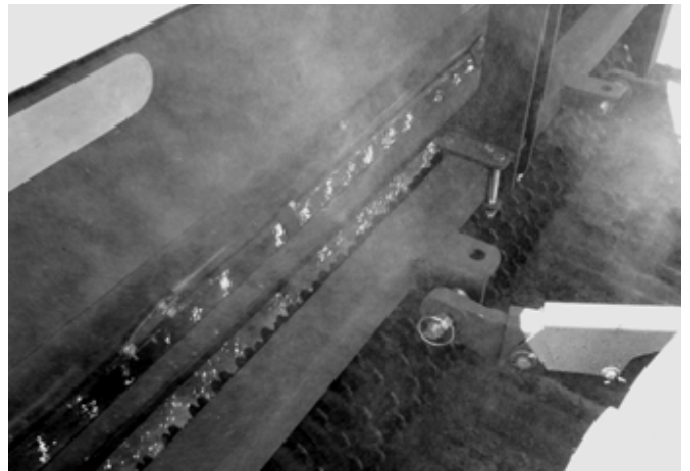
## Mounting to a Tractor

1. Use the step, safety treads, and grab handles to get on and off the tractor.
2. Sitting in the operator's seat, fasten the seat belt (if so equipped).
3. Drive the tractor to the front of the attachment. Align the tractor 3-point arms with the attachment mounting pins.
4. Stop the engine and engage the park brake.
5. Have a second person connect all 3-point links to the attachment using the pins provided.



**⚠ WARNING** All appropriate hitch pins and locking pins must be locked into place. Failure to secure pins can allow the attachment to disconnect from the tractor and cause injury or death.

6. Adjust the 3-point top link so that the attachment is level while resting on the ground (see tractor's operator's manual for top link adjustment instructions).



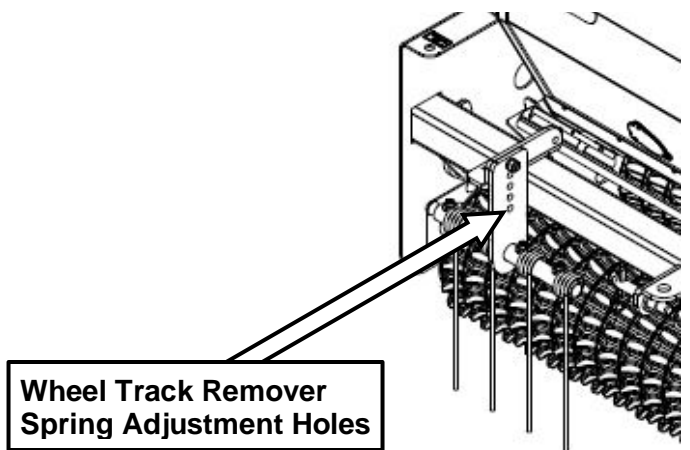
## Wheel Track Remover Adjustment

1. Raise the attachment 6" to 12" off of the ground and block in position.

**⚠ WARNING** To avoid being crushed, never work on raised attachment without using additional support blocks or jack stands.

2. Remove the 1/2" nut and lock washer from the carriage bolt that holds the spring mount in place, and move it to the desired depth.
3. Reinstall the nut and lock washer once the spring mount is in place. Tighten hardware to the proper torque (see "Bolt Torque Information" on page 29).

**NOTE:** Softer soil requires the wheel track remover springs to be set deeper.



**Wheel Track Remover Spring Adjustment Holes**



# OPERATING INSTRUCTIONS

## Seed Metering Adjustment

1. Determine the required seed density per acre or per 1000ft<sup>2</sup> as recommended by the seed manufacturer.
2. Use the seed box calibration chart for the specific meter setting information. The chart decal can be found on the inside of the seed box lid, or on page 27 of this manual.
3. The meter settings range from 0-12, where 0 indicates the gates being fully closed, and 12 indicates the gates being fully open.
4. The slide gate can be adjusted by loosening the plastic thumb screw and sliding the metering handle right to the number specified by the seed box calibration chart.

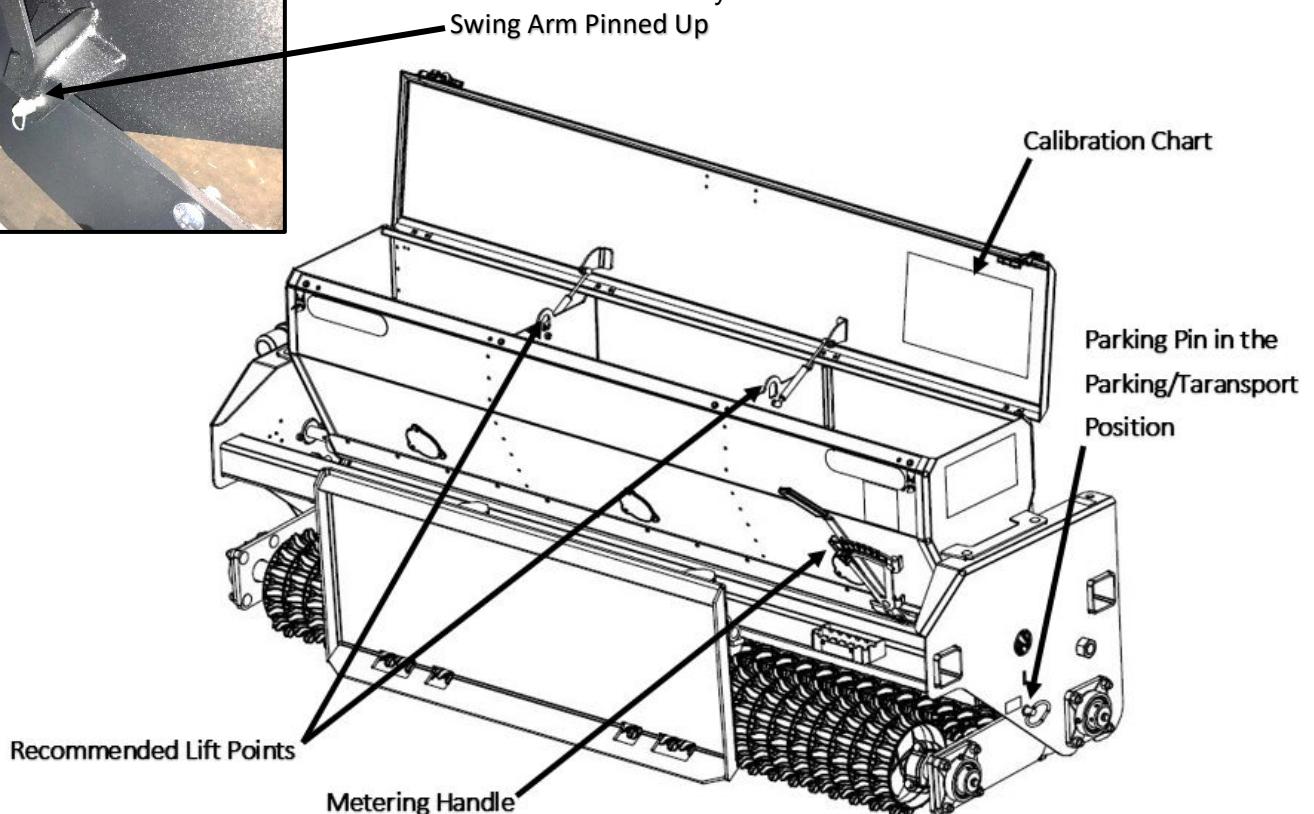
**NOTE:** Always return the meter handle to 0 prior to changing the seed gate to a new position. This will ensure consistent gate settings.

**NOTE:** For seed types not included on the chart, follow the "Seed Box Calibration" instructions.

## Seed Box Calibration

**NOTE:** If seed rate accuracy is important to your application, you **MUST** calibrate your seeder to ensure seed rate accuracy. The seed rate chart is meant only as a guide.

1. Stop the engine and engage the park brake.
2. Make sure both parking pins are in the parking/transportation positions and through the hole in the swing arms which will keep the brake from engaging while testing.
3. Lift the seeder 6" to 12" off of the ground and block in position.
4. Place a tarp or some other container under the seeder to collect the seed dropped during the test.
5. Use a 9/16" wrench or socket on the non-chain end of the drive axle to turn the axle and agitator over in a clockwise direction.
6. Set the meter handle to the desired position and rotate the drive axle 48.5 revolutions.
7. Remove the tarp and weigh the seed that was dropped by the seeder. Multiply the weight of the dropped seed by 50 for an approximate seed density in lbs/acre.



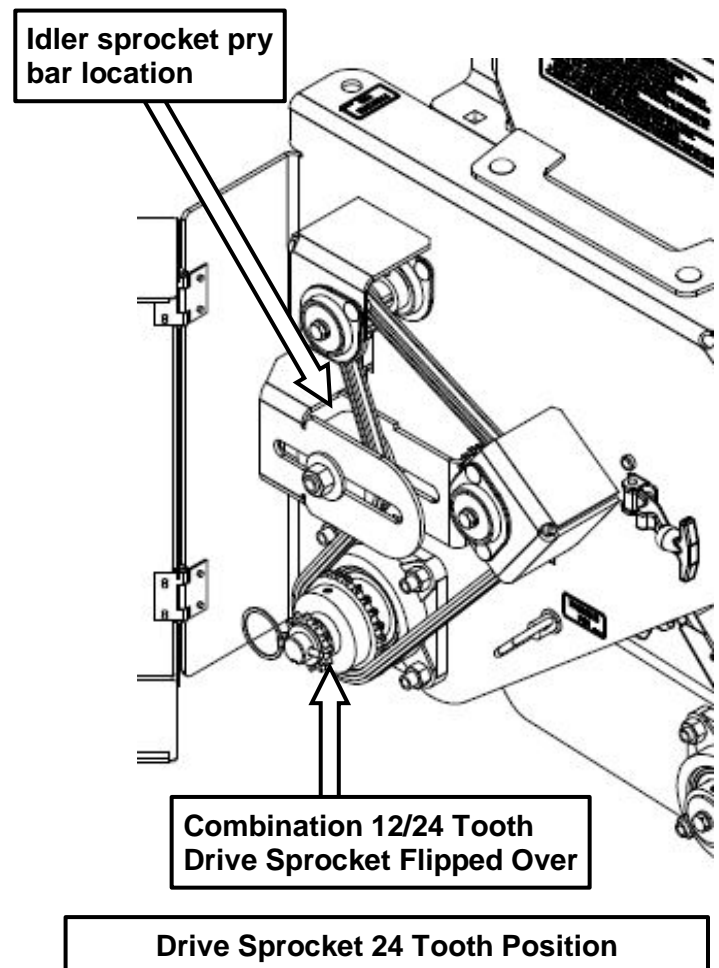
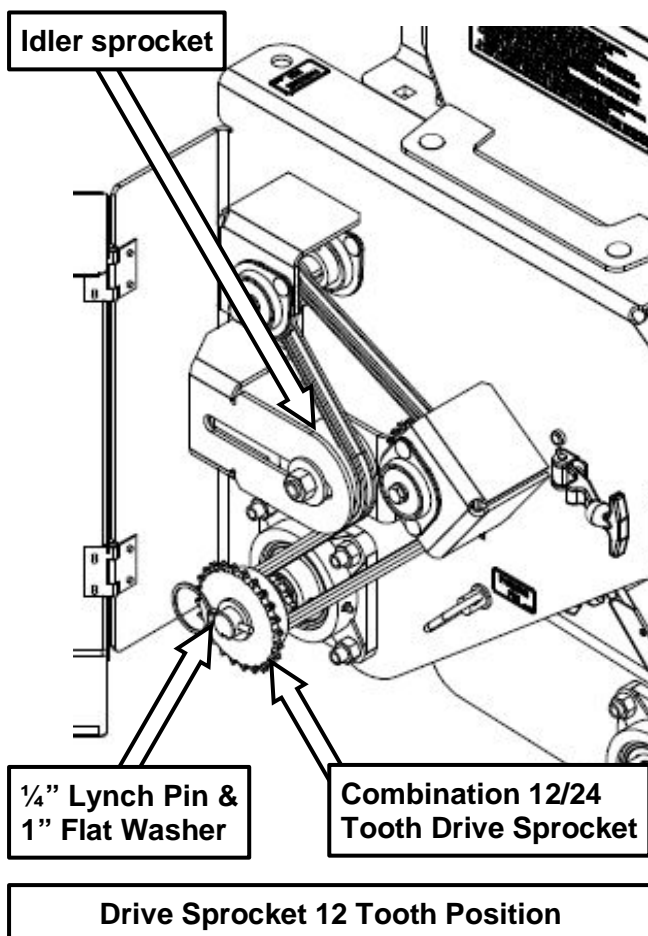
# OPERATING INSTRUCTIONS

## Doubling the Seed Rate

The seed rate can be doubled by replacing the 12 tooth drive sprocket with the 24 tooth drive sprocket.

1. Open the chain case door to allow access to the sprockets.
2. Remove the 1/4" lynch pin and 1" flat washer from the drive axle.
3. Use a 5/16" wrench to loosen the 5/8" nut on the idler sprocket and slide the idler to the left to loosen the chain.
4. Remove the chain from the 12 tooth sprocket and remove the combination sprocket from the drive axle.
5. Flip the sprocket over and reinstall it on the driveline with the 24 tooth half first.
6. Reinstall the 1" flat washer and 1/4" lynch pin.
7. Use a pry bar to apply light force to the side of the idler sprocket and push it to the right. Apply enough tension to the chain with the idler to remove the slack. Make sure the chain is fully seated in all three sprockets, and tighten the 5/8" nut.

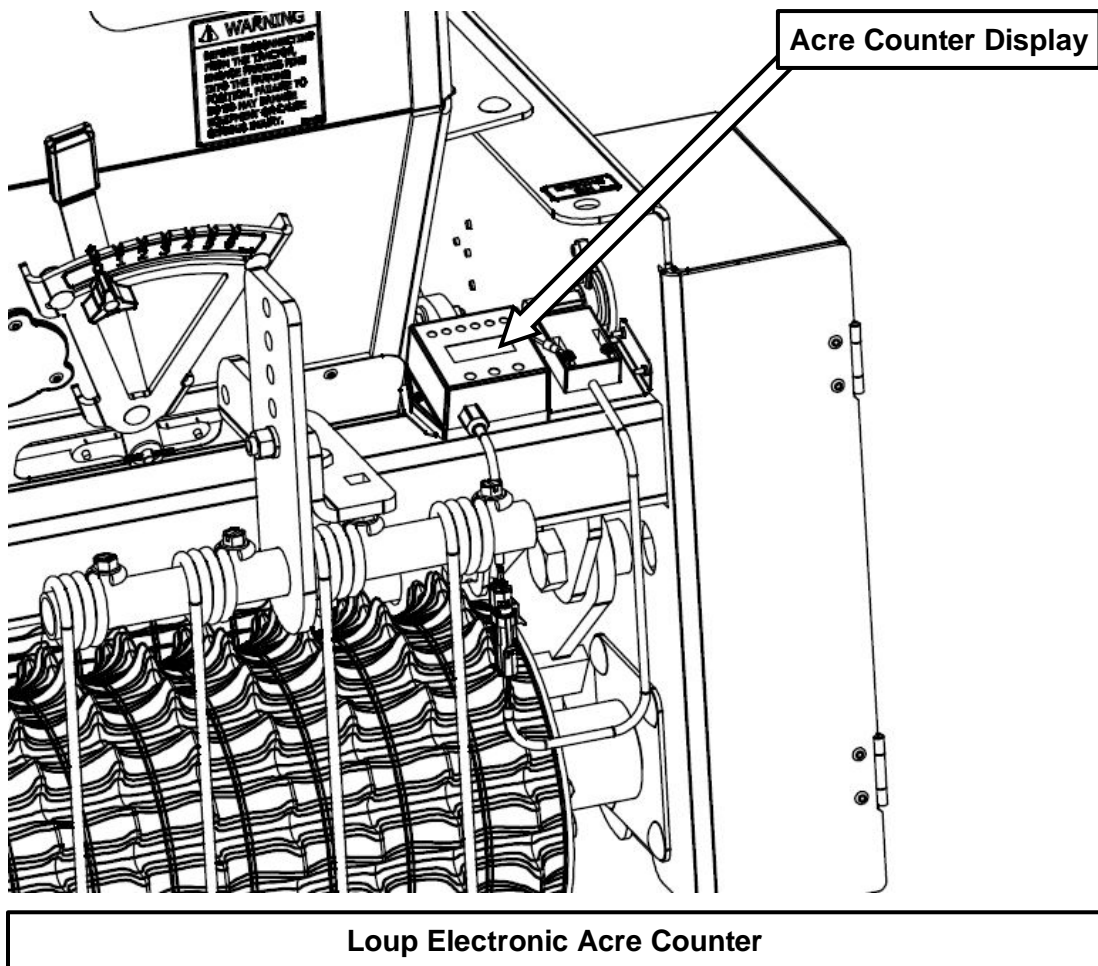
**IMPORTANT:** Do not overtighten the roller chain. Tighten only enough to remove slack.



# OPERATING INSTRUCTIONS

## Acre Counter Adjustment

1. On the acre counter, press the **FUNC** button until the “**PULSES**” LED is lit. The number in the display indicates how many pulses are generated per every 400 feet driven.
2. For this application, use the **UP** and **DOWN** buttons to adjust the number of pulses per 400 feet driven until the display reads “**134**”.
3. Press the **FUNC** button until the “**WIDTH**” LED is lit. The number in the display indicates the width in feet that the attachment plants per pass.
4. For this application, use the **UP** and **DOWN** buttons to adjust the planting width until the display reads “**6.0**” feet.
5. For all other acre counter questions, see the Loup Electronics user’s manual that was included with the seeder.







# ROUTINE MAINTENANCE

**⚠ WARNING** Lower the attachment to rest on the ground, set the park brake, shut down the engine, remove the key, and wait for all motion to stop before leaving the operator's seat to perform service of any kind.

It is the operator's responsibility to make daily inspections of the attachment and loader/tractor for damage, loose bolts, fluid leaks, or anything else that could cause a potential service or safety problem. Preventive maintenance is the easiest and least expensive type of maintenance.

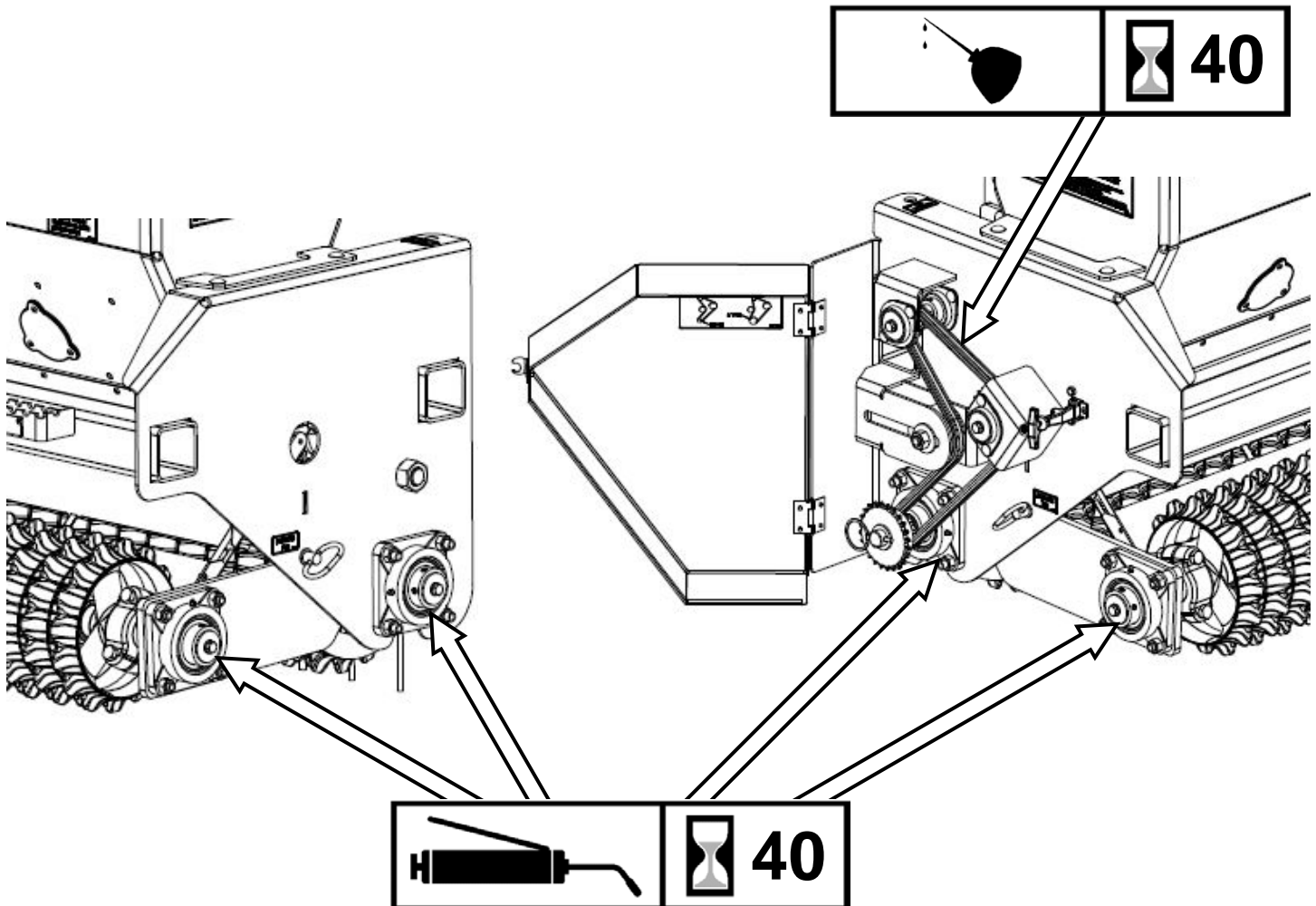
**IMPORTANT:** Bolts and set screws can loosen after initial usage. After first hour of operation check all bolts and set screws.

<b>Lubrication Legend</b>	 Multipurpose spray lube	 No. 2 Lithium base gun grease	 Multipurpose oil lube	 <b>50</b> Intervals at which lubrication is required
---------------------------	---	---	---	--

## ROUTINE INSPECTION

Check the following items every **40 hours** of operation:

- Check the entire attachment for weld cracks or excessive damage. Repair if necessary.
- Check all hardware. Replace or retighten if necessary.
- Check shields. Repair if damaged or replace if necessary.
- Check for damaged or missing decals. Replace if damaged or missing.
- Lubricate drive chain with an approved chain oil.
- Grease the four flange bearings using No. 2 lithium base grease gun.

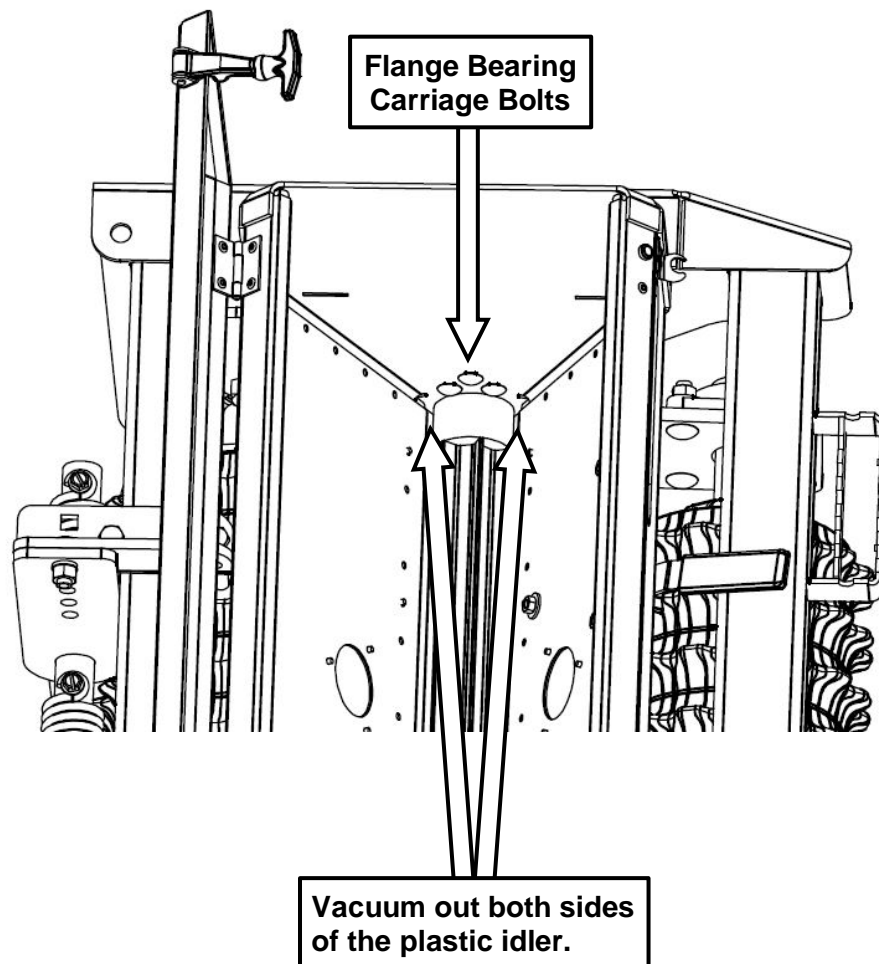


# ROUTINE MAINTENANCE

## Slide Gate Maintenance

After prolonged use, seed may accumulate under the seed box bearings. The excess seed may make it difficult to adjust the seed box slide gate. To remove the excess seed:

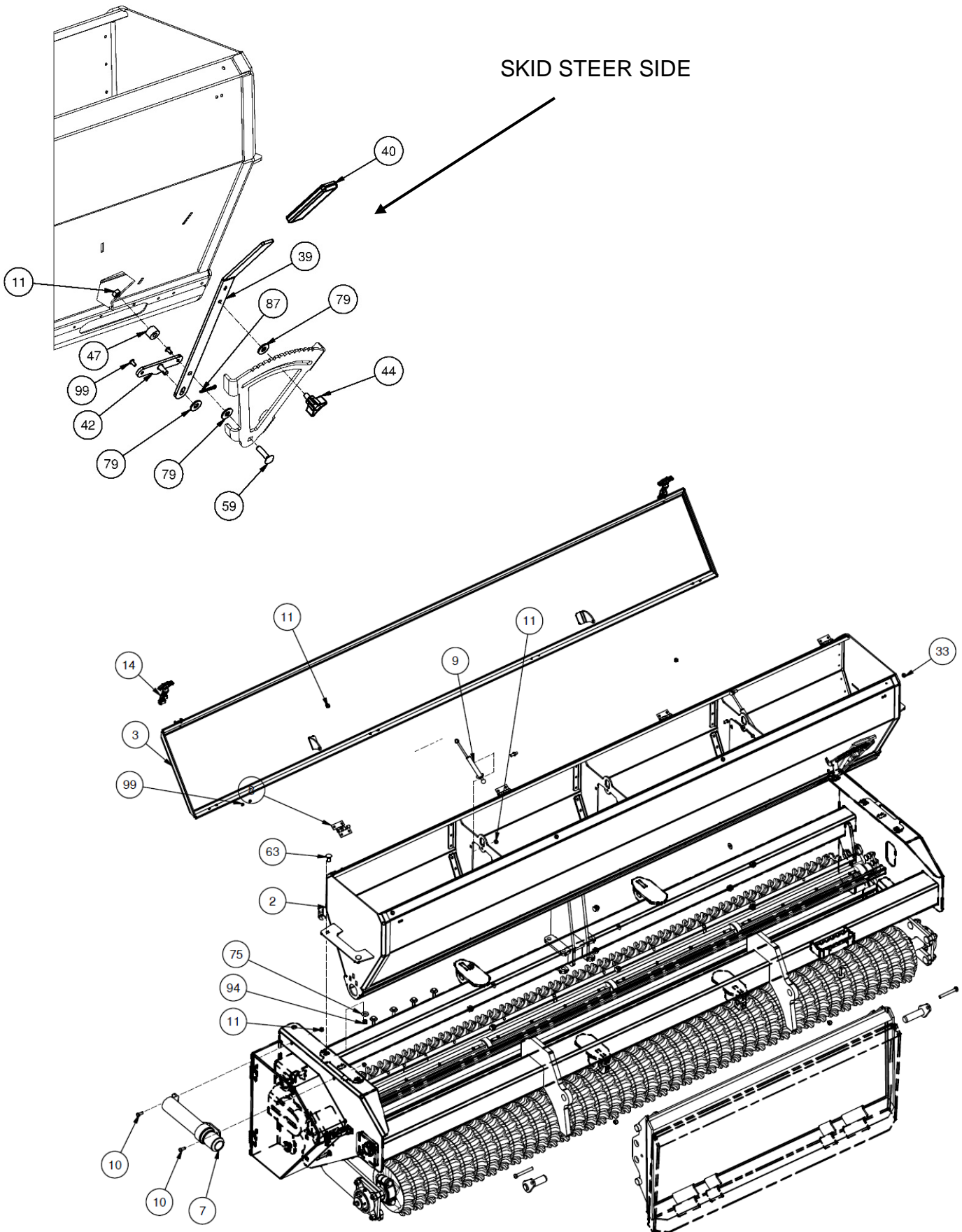
1. Empty the seed box completely.
2. Use a 9/16" wrench to loosen the three 3/8" nuts on each of the two flange bearings.
3. Allow the bearings to slide up slightly so the plastic idlers lift away from the slide gate.
4. Move the slide gate back and forth a few times to loosen up the seed.
5. Use a vacuum to remove all of the excess seed that had built up under the plastic idlers.
6. Repeat steps 4 and 5 until the slide gate moves freely.
7. Push the bearings back down to the slide gate and retighten the 3/8" nuts.



## LANDSCAPE SEEDER PARTS INFORMATION

ITEM	QTY	PART NO.	DESCRIPTION	STOCK NO.
1	1	317601	FRAME SEEDER 72 W/A	<b>OBSOLETE 72"</b>
	1	424210	FRAME SEEDER 96 W/A	<b>OBSOLETE 96"</b>
2	1	423256	SEED BOX 72 W/A	<b>72"</b>
	1	423258	SEED BOX 96 W/A	<b>96"</b>
3	1	423257	COVER SEED BOX 72 W/A	<b>72"</b>
	1	423259	COVER SEED BOX 96 W/A	<b>96"</b>
4	1	317600	MOUNT FRAME SEEDER W/A	<b>OBSOLETE</b>
7	1	330864	HOLDER MANUAL CANISTER 12.5 X 2.25	
8	4	330942	HINGE 2 X 2 HD	
9	2	317703	CYLINDER GAS 7.4	
10	2	13053	BOLT HEX	5/16 X 3/4 NC GR 5
11	7	37211	NUT REV LOCK	5/16 NC GR 5
14	2	317605	LATCH RUBBER 5.87 W/BRACKET	
33	6	317667	RUBBER BUMPER	
39	1	422891	HANDLE METERING Z	
40	1	317684	HANDLE VINYL	
42	1	317719	SLIDE GATE CONNECTOR W/A	
44	1	423264	KNOB PLASTIC 5/16 STUD	
47	1	317717	BUSH .63 X .31 X .5 AL	
59	1	21813	BOLT CARRIAGE	5/16 X 1-1/2 NC GR5
69	4	21817	BOLT CARRIAGE	3/8 X 1 NC GR 5
75	4	33008	WASHER FLAT	3/8"
79	3	33006	WASHER FLAT	5/16"
87	1	65076	PIN COTTER 1/8 X 1	
94	6	37212	NUT REV LOCK	3/8 NC
99	18	41125	RIVET 3/16 STEEL #64	
244	1	317763	FRAME MOUNT SEEDER	
245	2	340161	PIN 1 X 3.25	
256	2	13115	BOLT HEX	

# LANDSCAPE SEEDER PARTS INFORMATION



## LANDSCAPE SEEDER PARTS INFORMATION

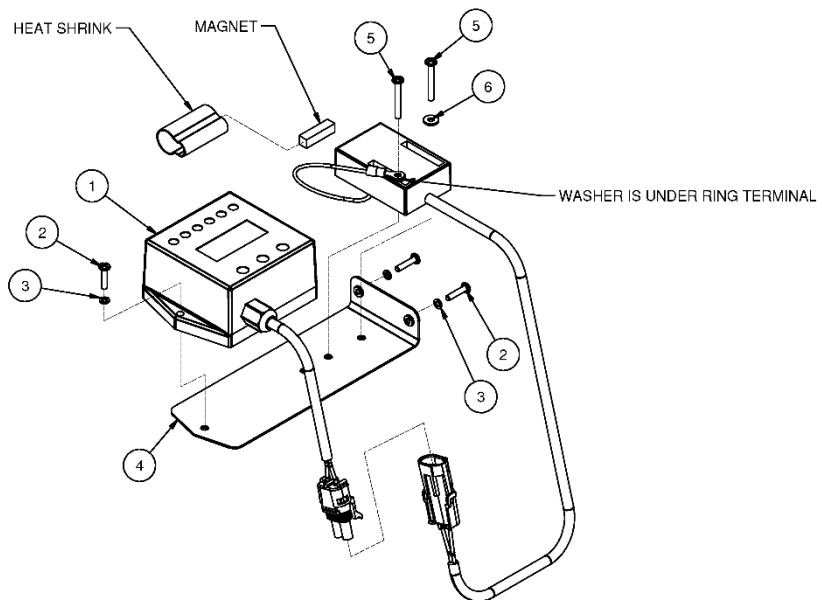
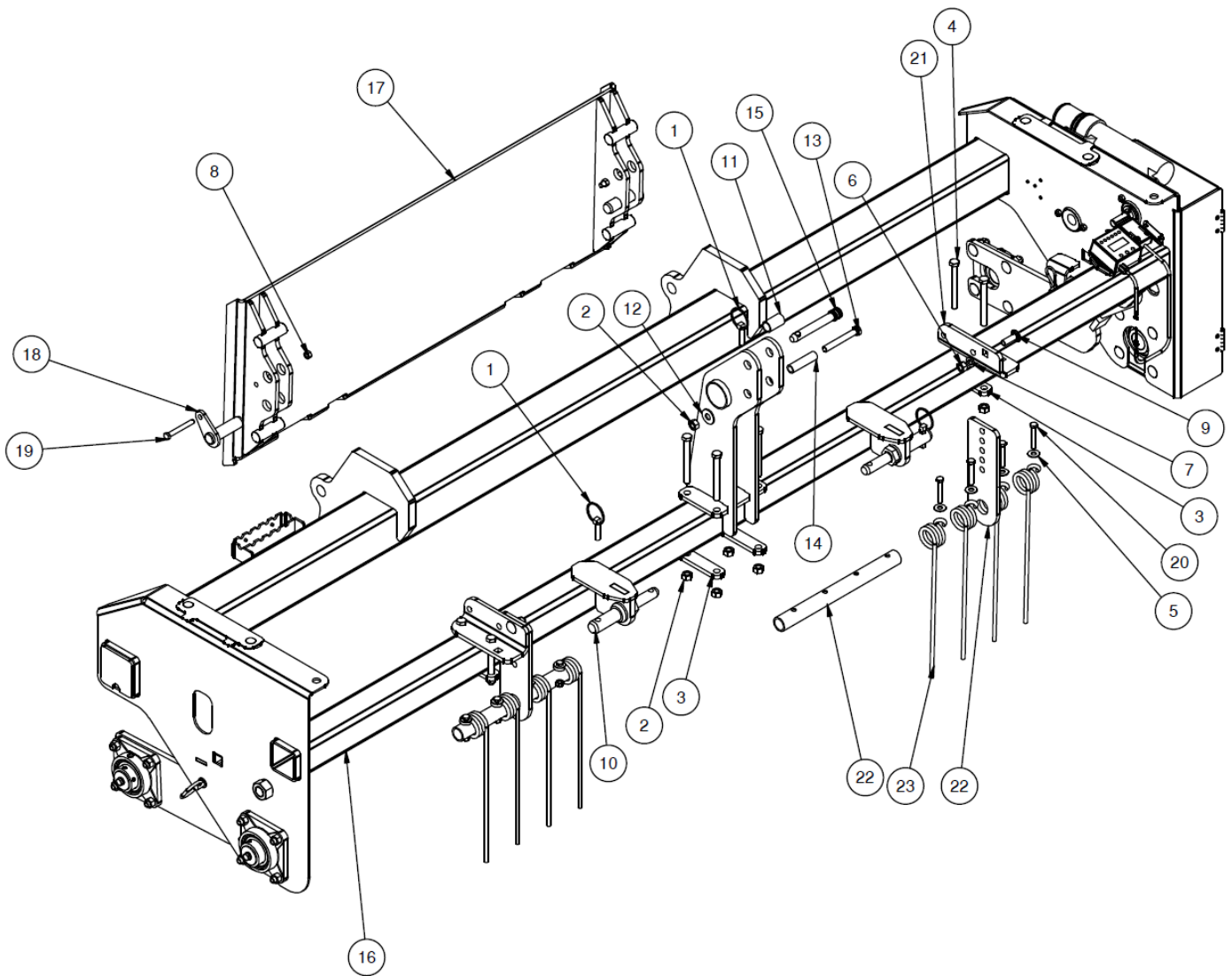
ITEM	QTY	PART NUMBER	DESCRIPTION	STOCK NO.
1	3	104432	PIN LYNCH 7/16 X 1-3/4	
2	25	37214	NUT HEX 1/2 REV LOCK	
3	4	317699	PLATE STRAP PAINTED	
4	8	13221	BOLT HEX	
5	12	33008	WASHER FLAT	
6	6	36110	NUT HEX	
7	6	33626	WASHER SPLIT LOCK	
8	21	37212	NUT HEX 3/8 REV LOCK	
9	10	318277	BOLT CARR 1/2 X 1-1/2 NC SHORT NECK	
10	2	330819	PIN 3-PT LIFT CAT1 7/8 & CAT2 1-1/8 ASSM	
11	1	420070	BUSHING 1.00 x .78 x 1.69 Z	
12	2	33012	WASHER FLAT	
13	1	13218	BOLT HEX	
14	1	420400	BUSHING .75 x .53 x 2.88 Z	
15	1	300460	PIN 3-PT CAT1 TOP 3/4 X 3-7/8	
16	1	317762	FRAME SEEDER 96 W/A	
	1	317761	FRAME SEEDER 72 W/A	
17	1	317763	MOUNT FRAME SEEDER W/A	
18	2	340161	PIN 1 X 3.25 W/A	
19	2	13115	BOLT HEX	
20	8	13112	BOLT HEX	
21	2	317731	BRKT SPRING MNT PNTD	OPT PKG
22	2	317729	MOUNT SPRING RAKE W/A	OPT PKG
23	4	317726	SPRING HARROW LH	OPT PKG

## ACRE METER PACKAGE

ITEM	QTY	PART NO.	DESCRIPTION	STOCK NO.
		<b>317748</b>	<b>PKG ACRE METER</b>	
1	1	317745	METER ACRE	
2	4	28810	SCREW MACHINE 6-32 X 5/8	(ACRE METER HDW KIT 37741)
3	4	33610	WASHER LOCK #6	(ACRE METER HDW KIT 37741)
4	1	317740	BRKT ACRE MNT ASSM PNTD	(UNPAINTED 317739)
5	2	28830	SCREW MACHINE 6-32 X 1-1/8	(ACRE METER HDW KIT 37741)
6	2	33070	WASHER FLAT SAE #6	(ACRE METER HDW KIT 37741)



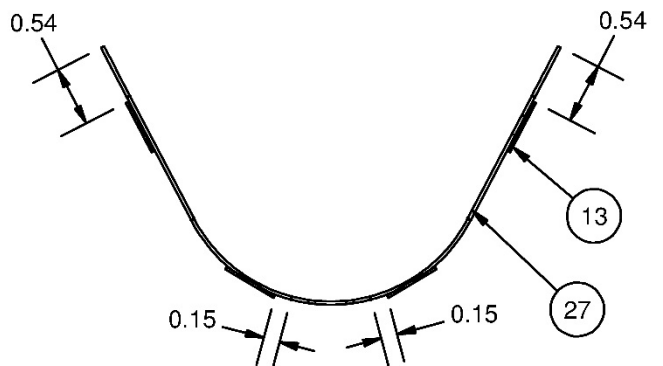
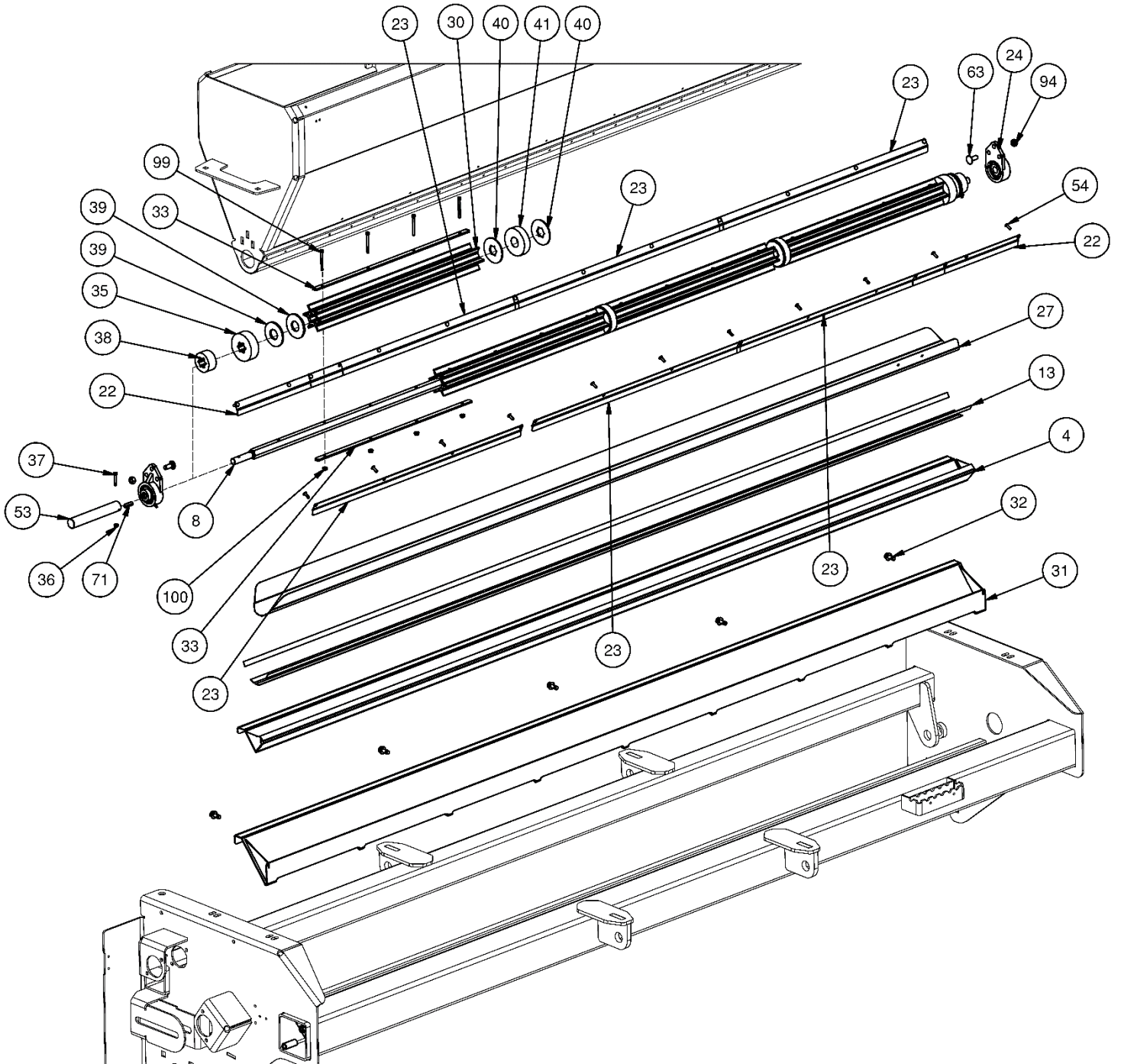
# LANDSCAPE SEEDER PARTS INFORMATION



## LANDSCAPE SEEDER PARTS INFORMATION

ITEM	QTY	PART NO.	DESCRIPTION	STOCK NO.
4	1	422884	TRAY SEED CALIBERATION 72 W/A	72"
	1	422886	TRAY SEED CALIBERATION 96 W/A	96"
8	1	423391	SHAFT HEX .88 X 76.25 W/H	72"
	1	423393	SHAFT HEX .88 X 100.25 W/H	96"
13	4	317733	TAPE UHMW .022 X .5 X 71	72"
	4	420303	TAPE UHMW .022 X .5 X 96	96"
22	2	424247	BRKT RETAINER SEED GATE 14.38	
23	4	424246	BRKT RETAINER SEED GATE 28.38	72"
	6	424246	BRKT RETAINER SEED GATE 28.38	96"
24	2	317676	BRG 5/8 3-B FLG B-TYPE	
27	1	424240	BRKT SEED GATE 72	72"
	1	424244	BRKT SEED GATE 96	96"
30	3	423299	ROTOR RUBBER 2.75 OD X 22	72"
	4	423299	ROTOR RUBBER 2.75 OD X 22	96"
31	1	422876	DEFLECTOR SEED 72 W/A	72"
	1	422879	DEFLECTOR SEED 96 W/A	96"
32	3	32455	BOLT THDCUT FLG 5/16 X 3/4 UNF	72"
	5	32455	BOLT THDCUT FLG 5/16 X 3/4 UNF	96"
33	6	317691	PLATE RETAINER AGITATOR	72"
	8	317691	PLATE RETAINER AGITATOR	96"
35	2	423394	IDLER PLASTIC 2.85 OD X 1 HEX .88	72"
	3	423394	IDLER PLASTIC 2.85 OD X 1 HEX .88	96"
36	1	37406	NUT LOCK EXT TOOTH	#8-32 NC GR 5
37	1	330967	BOLT SHOULDER	3/16 X 1 (8-32) UNC
38	2	424248	IDLER PLASTIC 2.0 X 1 HEX .88	
39	4	33022	WASHER FLAT USS 1"	96" ONLY
40	4	424250	PLATE WASHER 2.6 X .89 X .11 HEX Z	72"
	6	424250	PLATE WASHER 2.6 X .89 X .11 HEX Z	96"
41	2	424249	IDLER PLASTIC 2.85 OD X .75 RND	72"
	3	424249	IDLER PLASTIC 2.85 OD X .75 RND	96"
53	1	317648	DRIVESHAFT SEEDER METER Z	
54	14	62180	RIVET 3/16 X 3/8 CLOSED	72"
	22	62180	RIVET 3/16 X 3/8 CLOSED	96"
63	6	21817	BOLT CARRIAGE	3/8 X 1 NC GR 5
71	1	300251	KEY SQ 1/4 X 1	
94	6	37212	NUT REV LOCK	3/8 NC
99	12	73444	BOLT SHCS 10-24 X 2 NC SS	72"
	16	73444	BOLT SHCS 10-24 X 2 NC SS	96"
100	12	70924	NUT LOCK EXT TOOTH 10-24 UNC SS	72"
	16	70924	NUT LOCK EXT TOOTH 10-24 UNC SS	96"

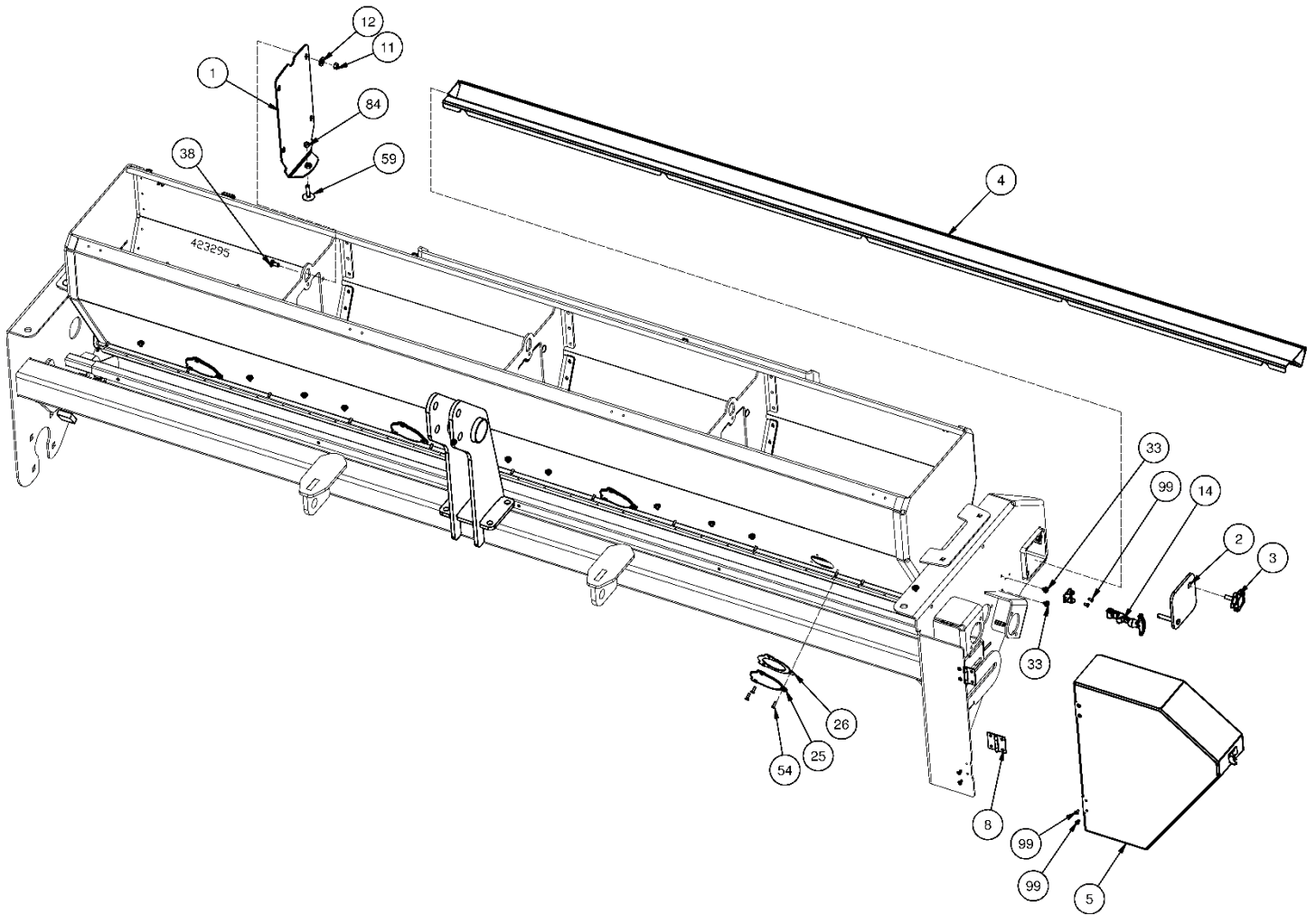
# LANDSCAPE SEEDER PARTS INFORMATION



## LANDSCAPE SEEDER PARTS INFORMATION

ITEM	QTY	PART NO.	DESCRIPTION	STOCK NO.
1	2	423274	SEED BOX BROADCAST TENSIONER W/A	72"
	3	423274	SEED BOX BROADCAST TENSIONER W/A	96"
2	1	422888	COVER TUBE 4.5 X 4.5 W/A	
3	1	421563	KNOB PLASTIC 3/8 X 1 NC STUD	
4	1	422884	TRAY SEED CALIBERATION 72 W/A	72"
	1	422886	TRAY SEED CALIBERATION 96 W/A	96"
5	1	317606	COVER CHAIN CASE W/A	
8	2	330942	HINGE 2 X 2 HD	
11	8	37211	NUT REV LOCK 5/16 NC GR 5	72"
	12	37211	NUT REV LOCK 5/16 NC GR 5	96"
12	8	33006	WASHER FLAT USS 5/16	72"
	12	33006	WASHER FLAT USS 5/16	96"
14	1	317605	LATCH RUBBER 5.87 W/BACKET	
25	3	317650	SHIELD PLASTIC CLEAR	72"
	4	317650	SHIELD PLASTIC CLEAR	96"
26	3	317659	GASKET SIGHT GLASS	72"
	4	317659	GASKET SIGHT GLASS	96"
33	2	317667	RUBBER BUMPER	
38	8	21810	BOLT CARRIAGE 5/16 X 3/4 NC GR 5	72"
	12	21810	BOLT CARRIAGE 5/16 X 3/4 NC GR 5	96"
54	6	62180	RIVET 3/16 X 3/8 CLOSED	72"
	9	62180	RIVET 3/16 X 3/8 CLOSED	96"
59	2	330963	BOLT ELEVATOR 5/16-18 X 1-1/2 NC GR A Z	72"
	3	330963	BOLT ELEVATOR 5/16-18 X 1-1/2 NC GR A Z	96"
84	2	36304	NUT HEX FULL 5/16 NC GR 5	72"
	3	36304	NUT HEX FULL 5/16 NC GR 5	96"
99	10	41125	RIVET 3/16 STEEL #64	

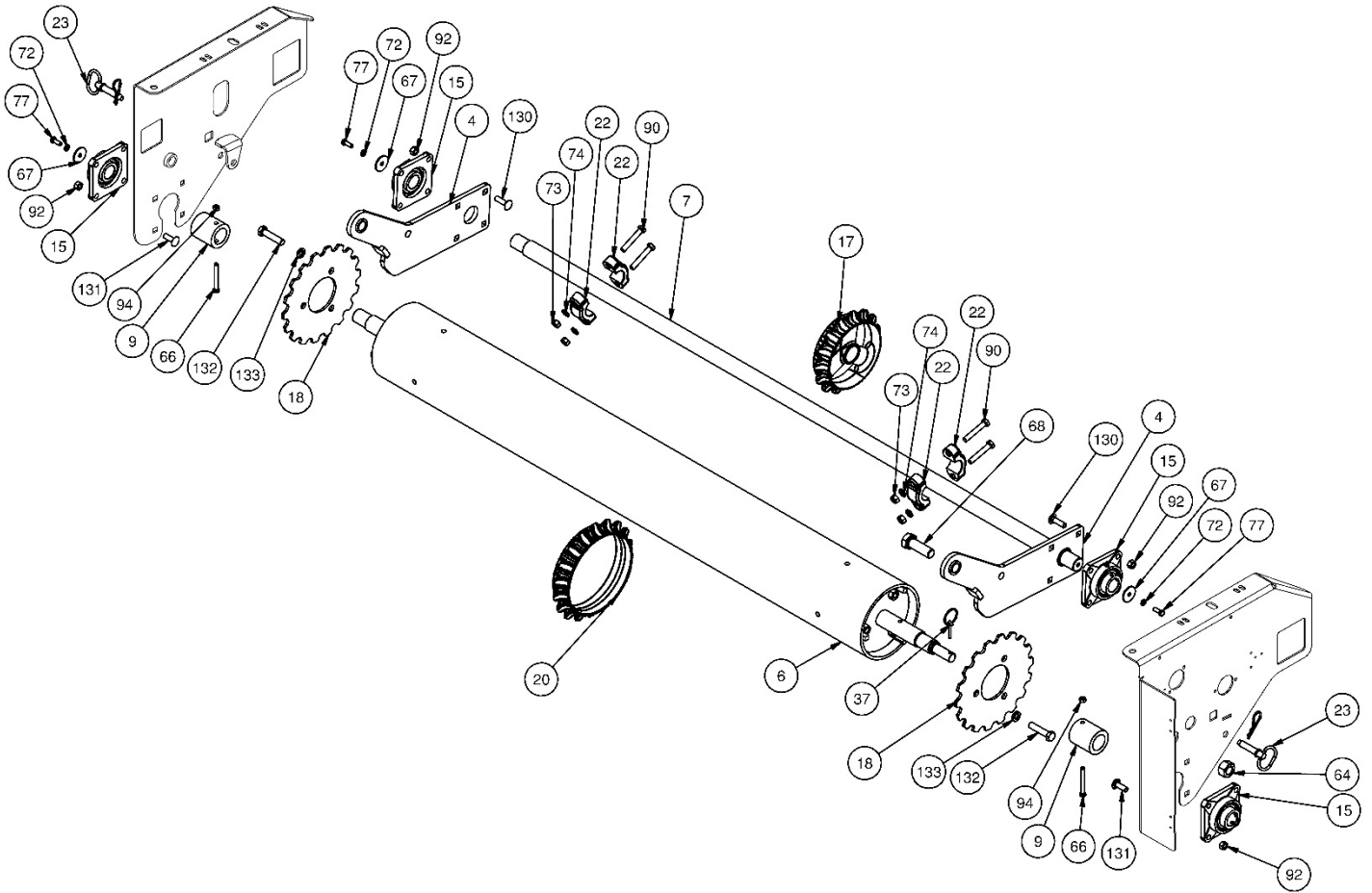
# LANDSCAPE SEEDER PARTS INFORMATION



## LANDSCAPE SEEDER PARTS INFORMATION

ITEM	QTY	PART NO.	DESCRIPTION	STOCK NO.
4	2	317685	ARM TRAILING ROLLER W/A	
6	1	317603	ROLLER 72 W/A	72"
	1	424218	ROLLER 96 W/A	96"
7	1	317666	SHAFT 1.75 X 82.69	72"
	1	424239	SHAFT 1.75 X 106.69	96"
9	2	317701	BUSH 2.75 X 1.8 X 3 W/H PAINTED	
15	4	319085	BRG 1 1/2 4-B FLG B-TYPE	
17	31	317656	ROLLER CAST 9.5	72"
	42	317656	ROLLER CAST 9.5	96"
18	2	317737	PLATE RETAINER DISK PAINTED	
20	32	317657	ROLLER CAST 12	72"
	43	317657	ROLLER CAST 12	96"
22	4	317641	CLAMP 1.75 SHAFT	
23	2	201405	PIN HITCH 5/8 X 2-3/4	
37	1	315308	PIN LYNCH 1/4	
64	2	37219	NUT HEX 1 REV LOCK	1 NC
66	2	13116	BOLT HEX	3/8 X 3-1/4 NC GR5
67	2	202830	WASHER FLAT 3/8 X 1-3/4	
68	2	13465	BOLT HEX	1 X 3 NC GR 5
72	5	103880	WASHER LOCK	3/8"
73	4	36110	NUT HEX REG	1/2 NC
74	4	33626	WASHER LOCK	1/2"
77	5	103116	BOLT HEX	3/8 X 1 NC GR 5
90	4	13215	BOLT HEX	1/2 X 3 NC GR 5
92	16	37214	NUT REV LOCK	1/2 NC
94	2	37212	NUT REV LOCK	3/8 NC
130	8	21969	BOLT CARRIAGE	1/2 X 1-3/4 NC GR 5
131	8	318277	BOLT CARRIAGE SHORT NECK	1/2 X 1-1/2 GR 5
132	6	13314	BOLT HEX	5/8 X 2-3/4 NC GR 5
133	6	33630	WASHER LOCK	5/8"

# LANDSCAPE SEEDER PARTS INFORMATION

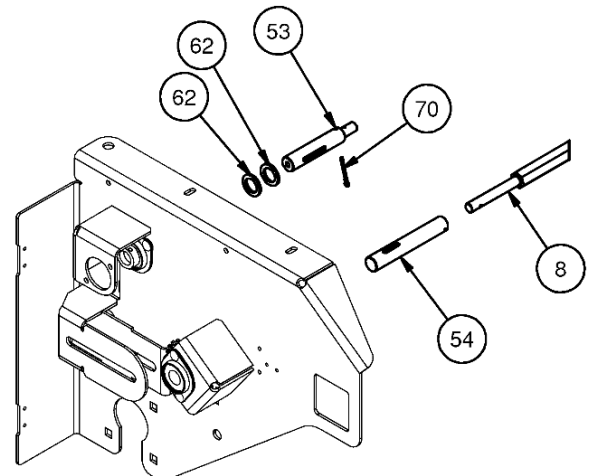
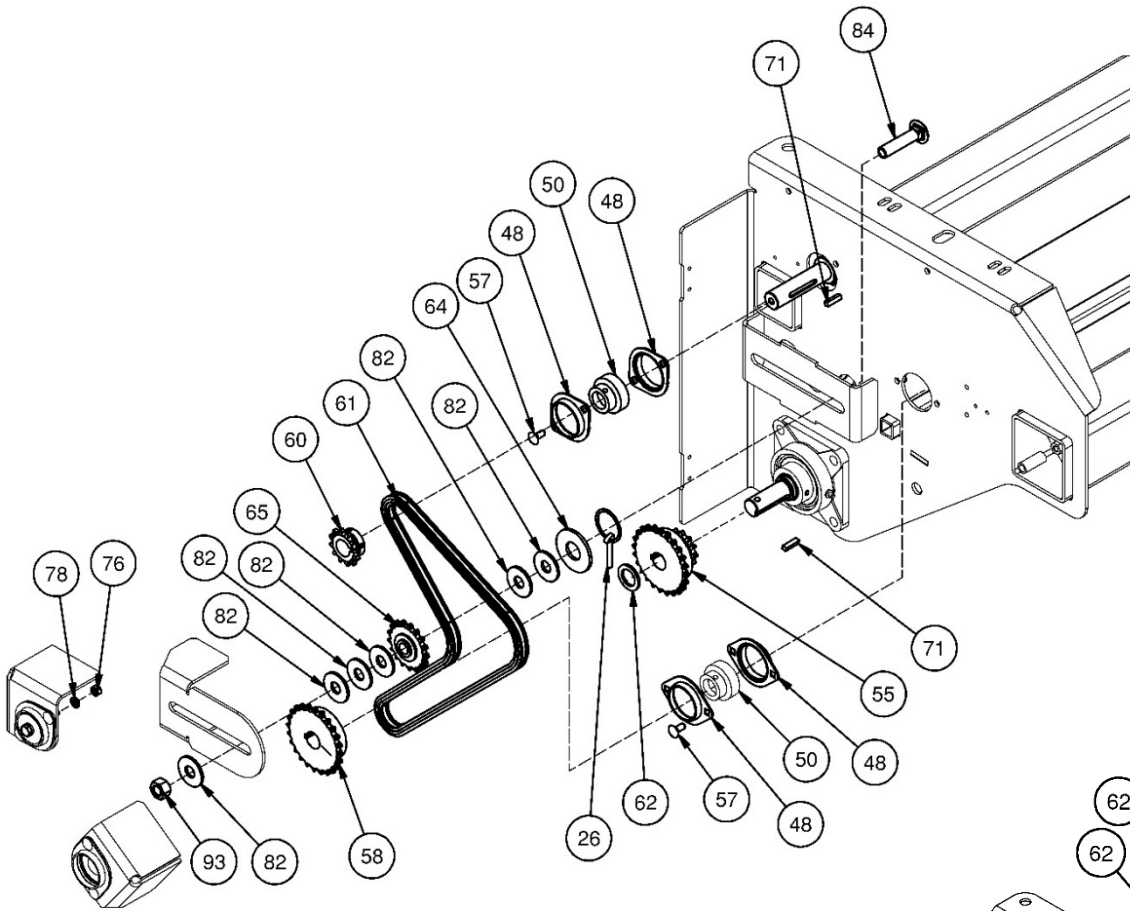
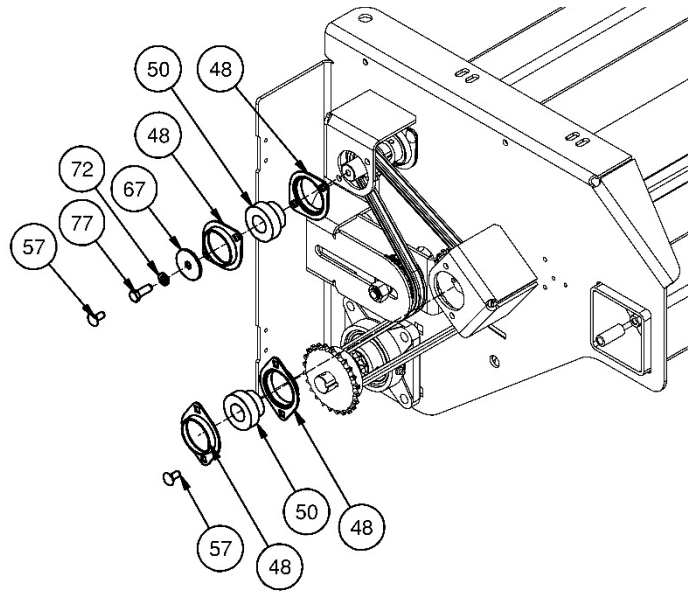
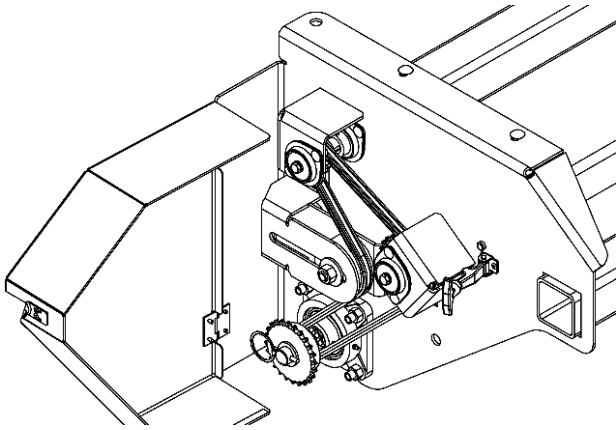


## PARTS INFORMATION

ITEM	QTY	PART NO.	DESCRIPTION	STOCK NO.
8	1	423391	SHAFT HEX .88 X 76.25 W/H	72"
	1	423393	SHAFT HEX .88 X 100.25 W/H	96"
11	9	37211	NUT REV LOCK	5/16 NC GR 5
26	1	315308	PIN LYNCH 1/4 X 1-3/4	
48	8	200300	FLANGETTE (BEARING 202988)	
50	4	202988	BRG INSERT 1 NG (LC)	
53	1	317651	DRIVESHAFT METER Z	
54	1	317648	DRIVESHAFT SEEDER METER Z	
55	1	317609	SPROCKET 40B 12 X 24 W/A	
57	8	21810	BOLT CARRIAGE	5/16 X 3/4 NC GR 5
58	1	317649	SPROCKET 40B24 X 1 B	
60	1	100539	SPROCKET 40B12 X 1 B	
61	1	100528	CHAIN ROLLER NO 40 X 90P C/LS	
62	3	33446	WASHER MB 1 10GA NARROW	
64	1	33022	WASHER FLAT USS 1	
65	1	424255	SPROCKET IDLER 40C17 X .63	REPLACED 201855
	1	201855	IDLER PLASTIC 3.25 OD X 1.50	OBSOLETE
67	1	202830	WASHER FLAT 3/8 X 1-3/4	
70	1	65105	PIN COTTER 5/32 X 1-1/2	
71	3	300251	KEY SQ 1/4 X 1	
72	1	103880	WASHER LOCK	3/8"
76	4	36304	NUT HEX FULL 5/16 NC GR 5	
77	1	103116	BOLT HEX	3/8 X 1 NC GR 5
78	4	33620	WASHER LOCK 5/16"	
82	6	33016	WASHER FLAT	5/8"
84	1	21837	BOLT CARRIAGE	5/8 X 2-3/4 NC GR5
93	1	37216	NUT REV LOCK	5/8 NC



# LANDSCAPE SEEDER PARTS INFORMATION



# SEED BOX CALIBRATION CHART

## SEED RATES FOR BROADCAST & LANDSCAPE SEEDER

RATES ARE INTENDED AS A GUIDE ONLY. VARIATION IN SIZE AND CLEANLINESS  
WILL AFFECT RATES. CHECK ACREAGE AND POUNDS OF SEED USED FOR BEST RESULTS.

Meter Setting	Seed Rate in Pounds Per Acre											
	1	2	3	4	5	6	7	8	9	10	11	12
Alfalfa	-	2.1	8.9	39.6	107	209	-	-	-	-	-	-
Red Clover	-	3.1	23.6	65.3	164	285	-	-	-	-	-	-
Rapeseed	-	1.4	5.2	26.9	63.3	171	-	-	-	-	-	-
Turnips	-	3.2	14.6	61.8	92.2	289	-	-	-	-	-	-
Grass Blend	-	-	-	-	-	-	4.9	19.1	28.5	65.2	85.3	107
Rye Grass	-	-	-	-	-	22.8	68.1	135	302	-	-	-
Oats	-	-	-	3.8	6.3	12.9	18.8	38.4	57.3	98.8	138	172

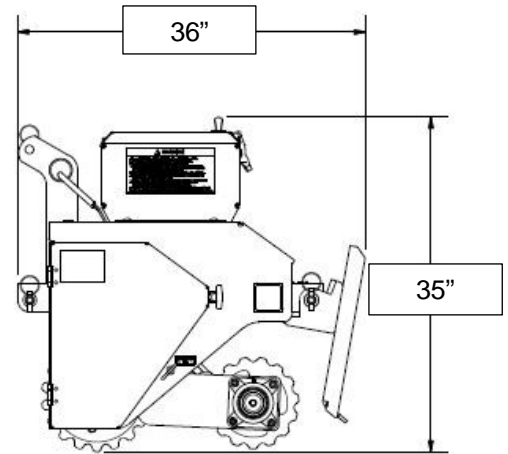
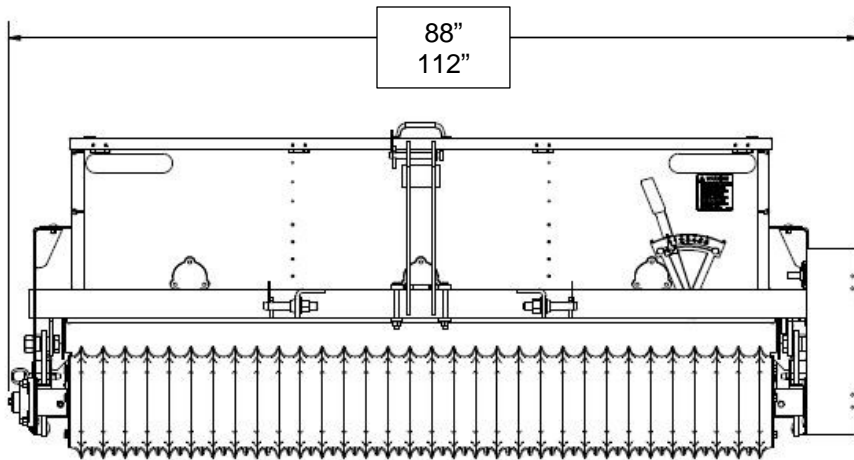
SEED BOX MAY BE CALIBRATED FOR UNLISTED SEEDS AS FOLLOWS:  
 1. RAISE AND SECURE THE PLANTER SO THE DRIVE ROLLER CAN BE ROTATED FREELY.  
 2. PLACE A COLLECTION TRAY UNDER THE SLIDE GATE TO CATCH THE SEED.  
 3. ROTATE THE DRIVE ROLLER CLOCKWISE 48.5 TIMES FOR 72" & 36.5 TIMES FOR 96" SEEDER.  
 4. WEIGH SEED AND MULTIPLY BY 50 FOR APPROXIMATE PLANTING RATE IN LBS/ACRE.

(SEE MANUAL FOR GREATER DETAIL)

423252 B

## GENERAL SPECIFICATIONS

	72"	96"
Operating Weight	1,400 lbs.	1,800 lbs.
Overall Width	88"	112"
Overall Height	35"	35"
Overall Length	36"	36"
Tractor Mount	CAT 1 & 2 Quick Hitch Compatible	CAT 1 & 2 Quick Hitch Compatible
Skid Steer Mount	Full Size Universal	Full Size Universal
Seeding Width	72"	96"
Hopper Capacity	6.0 bushel	8.0 bushel
Seed Meters	Blade Agitator	Blade Agitator
Seed Meter Drive	Ground Driven	Ground Driven
Seed Gate Spacing	3"	3"
Operating Speed	3 – 5 mph	3 – 5 mph



All dimensions are in INCHES.

# BOLT TORQUE INFORMATION

## Torque-Tension Relationships for SAE J429 Grade Bolts

Nominal Thread Size	SAE J429 Grade 2			SAE J429 Grade 5			SAE J429 Grade 8		
	Clamp Load (lbs)	Tightening Torque		Clamp Load (lbs)	Tightening Torque		Clamp Load (lbs)	Tightening Torque	
		K = .15	K = .20		K = .15	K = .20		K = .15	K = .20
<b>Unified Coarse Thread Series</b>									
1/4-20	1,300	49 in-lbs	65 in-lbs	2,000	75 in-lbs	100 in-lbs	2,850	107 in-lbs	143 in-lbs
5/16-18	2,150	101	134	3,350	157	210	4,700	220	305
3/8-16	3,200	15 ft-lbs	20 ft-lbs	4,950	23 ft-lbs	31 ft-lbs	6,950	32.5 ft-lbs	44 ft-lbs
7/16-14	4,400	24	30	6,800	37	50	9,600	53	70
1/2-13	5,850	36.5	49	9,050	57	75	12,800	80	107
9/16-12	7,500	53	70	11,600	82	109	16,400	115	154
5/8-11	9,300	73	97	14,500	113	151	20,300	159	211
3/4-10	13,800	129	173	21,300	200	266	30,100	282	376
7/8-9	11,425	125	166	29,435	321	430	41,550	454	606
1-8	15,000	187.5	250	38,600	482.5	640	54,540	680	900
<b>Unified Fine Thread Series</b>									
1/4-28	1,500	55 in-lbs	75 in-lbs	2,300	85 in-lbs	115 in-lbs	3,250	120 in-lbs	163 in-lbs
5/16-24	2,400	112	150	3,700	173	230	5,200	245	325
3/8-24	3,600	17 ft-lbs	22.5 ft-lbs	5,600	26 ft-lbs	35 ft-lbs	7,900	37 ft-lbs	50 ft-lbs
7/16-20	4,900	27	36	7,550	42	55	10,700	59	78
1/2-20	6,600	41	55	10,200	64	85	14,400	90	120
9/16-18	8,400	59	79	13,000	92	122	18,300	129	172
5/8-18	10,600	83	110	16,300	128	170	23,000	180	240
3/4-16	15,400	144	193	23,800	223	298	33,600	315	420
7/8-14	12,610	138	184	32,480	355	473	45,855	500	668
1-12	16,410	205	273	42,270	528	704	59,670	745	995

Clamp load estimated as 75% of proof load for specified bolts.

Torque values for 1/4 and 5/16 inch series are in inch-pounds. All other torque values are in foot-pounds.

Torque values calculated from formula  $T = KDF$

where:  $K=0.15$  for "lubricated" conditions

$K=0.20$  for "dry" conditions







## **LIMITED WARRANTY**

Erskine Attachments LLC warrants each new machine manufactured by us to be free from defects in material and workmanship for a period of twenty-four (24) months from date of delivery to the original purchaser.

Our obligation under this warranty is to replace free of charge, at our factory or authorized dealership, any part proven defective within the stated warranty time limit.

All parts must be returned freight prepaid and adequately packaged to prevent damage in transit.

This warranty does not cover:

1. New products which have been operated in excess of rated capacities or negligence
2. Misuse, abuse, accidents or damage due to improperly routed hoses
3. Machines which have been altered, modified or repaired in any manner not authorized by our company
4. Previously owned equipment
5. Any ground engaging tools in which natural wear is involved, i.e. tooth tips, cutting teeth, etc
6. Normal maintenance
7. Fork tines
8. Hydraulic motors that have been disassembled in any manor

In no event will the Sales Representative, Dealership, Erskine Attachments LLC, or any other company affiliated with it or them be liable for incidental or consequential damages or injuries, including but not limited to the loss of profit, rental or substitute equipment or other commercial loss. Purchaser's sole and exclusive remedy being as provided here in above.

Erskine Attachments LLC must receive immediate notification of defect and no allowance will be made for repairs without our consent or approval.

This warranty is in lieu of all other warranties, express or implied by law or otherwise, and there is no warranty of merchantability or fitness purpose.

No agent, employee, or representative of Erskine Attachments LLC has any authority to bind Erskine Attachments LLC to any warranty except as specifically set forth herein. Any of these limitations excluded by local law shall be deemed deleted from this warranty; all other terms apply.

This warranty may not be enlarged or modified in any manner except in writing signed by an executive officer of Erskine Attachments LLC to improve its products whenever it is possible and practical to do so. Erskine Attachments LLC reserves the right to make changes and or add improvements at any time without incurring any obligation to make such changes or add such improvements to products previously sold.

Erskine Attachments LLC  
P.O. Box 1083 Alexandria, MN 56308  
Phone (218) 435-4045 Fax (218) 435-5293



**P/N 317688**  
Erskine Attachments LLC

**Date Printed: 5/31/2022**

Printed in U.S.A.