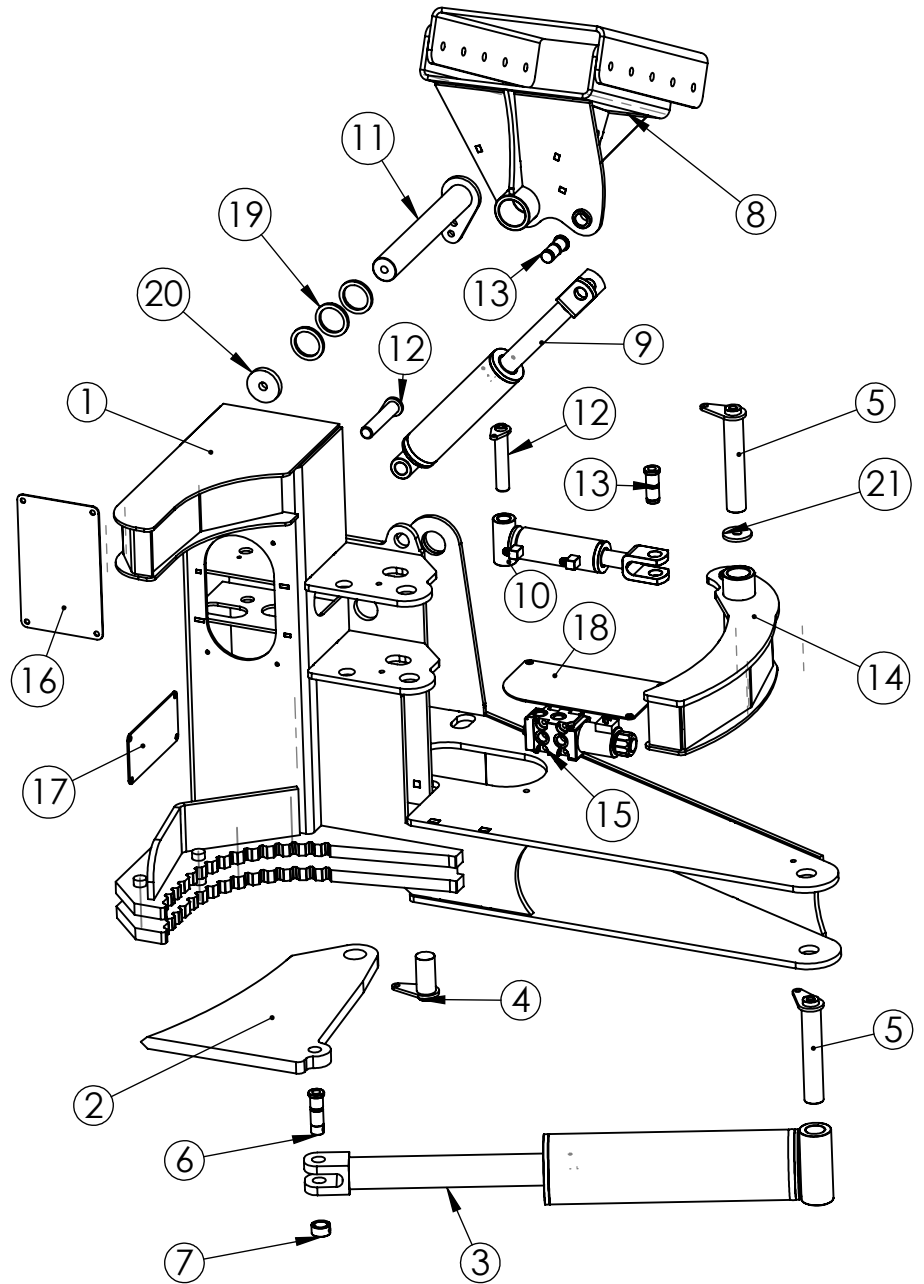


ITEM NO.	PART NUMBER	DESCRIPTION	QTY.
1	D003714	Main body of IXP512G	1
2	AR400 D002565	12" incisor blade	1
3	D002555	Cylinder, 5 x 24.38 x 38.88	1
4	D001974	1.5 x 3 flange pin assembly	1
5	D001948	1.5 x 8.125 flange pin assembly	2
6	D003133	1144 Stress Proof 1 x 2.25" incisor pin, greaseable	1
7	D003134	1x.75 Incisor bushing with cross hole	1
8	D003726	Excavator mount assembly	1
9	T1002	Cylinder 2.5 x 16 x 23.5	1
10	T1006	Cylinder 2 x 13 x 16.38	1
11	D002026	2" flange pin	1
12	D001028	1 x 5" Flange Pin	2
13	P2022	1 x 2.25" Swing snap ring pin, greaseable	2
14	D003725	Swinging arm assembly	1
15	D002597	Selector Valve - Nimco SVB-03-04	1
16	IXP512G-33	Tower back cover	1
17	IXP512G-34	cover plate	1
18	IXP512G-35	cover plate	1
19	IXP512G-36	Washer 2"	3
20	IXP512G-37	Washer 1"	1
21	IXP512G-38	Washer 1"	1



PROPRIETARY AND CONFIDENTIAL
 THE INFORMATION CONTAINED IN THIS DRAWING IS THE SOLE PROPERTY OF BAUMALIGHT. ANY REPRODUCTION IN PART OR AS A WHOLE WITHOUT THE WRITTEN PERMISSION OF BAUMALIGHT IS PROHIBITED.



Description

IXP512G

Weight lbs.

DATE

3/24/2017

DO NOT SCALE DRAWING

SCALE: 1:50

SHEET 1 OF 1

DWG. NO.

IXP512G

REV
A