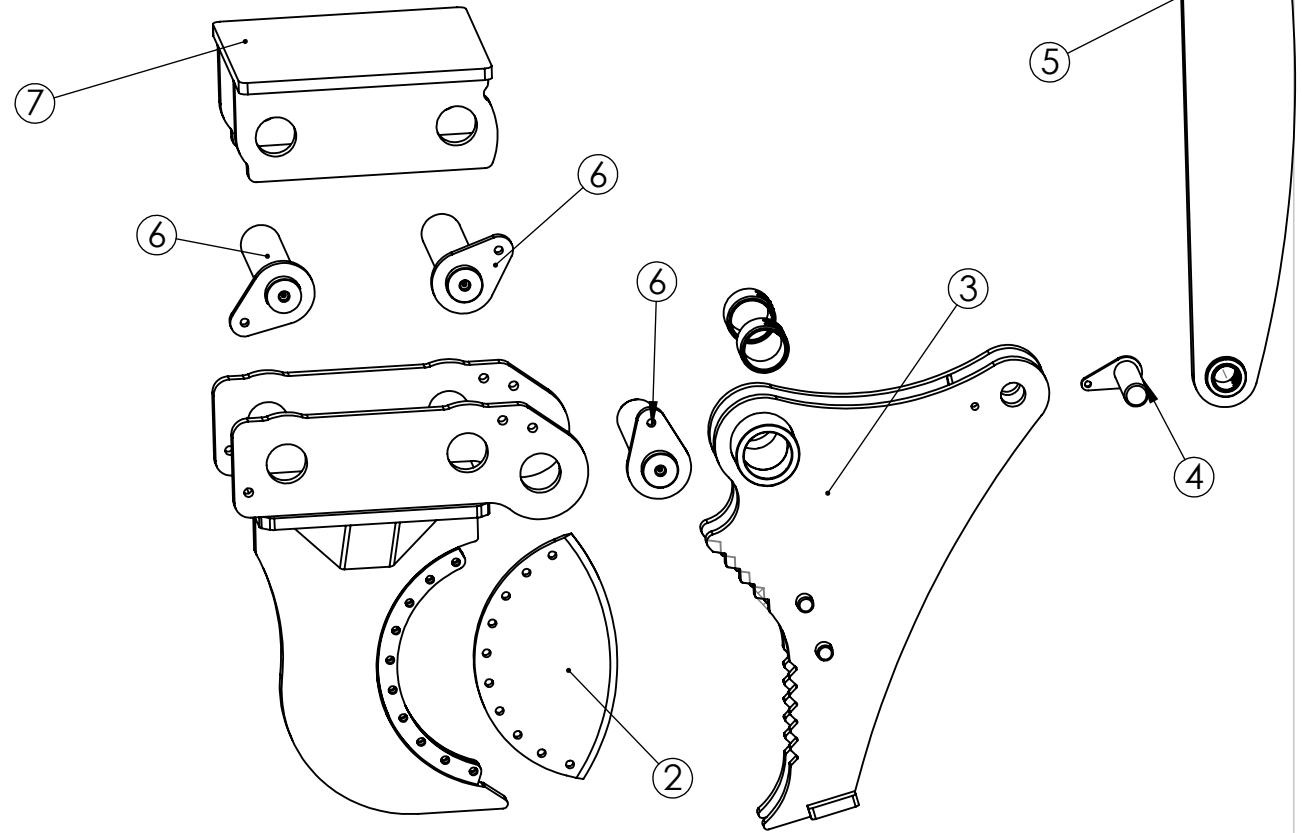


ITEM NO.	PART NUMBER	DESCRIPTION	QTY.
1	D002838	Fixed blade assembly	1
2	AR400 IXV508-9	Blade	1
3	D002839	Movable blade	1
4	D001953	1.5 x 5.25 flange pin assembly	2
5	D002861	Stiff arm	1
6	D002277	2.5" flange pin for Holt 48 & 50	3
7	D004416	Adaptor	1
8	IXV508-18	Boom bracket	2



PROPRIETARY AND CONFIDENTIAL
 THE INFORMATION CONTAINED IN THIS DRAWING IS THE SOLE PROPERTY OF BAUMALIGHT. ANY REPRODUCTION IN PART OR AS A WHOLE WITHOUT THE WRITTEN PERMISSION OF BAUMALIGHT IS PROHIBITED.



Description

Incisor BASE

Weight
lbs.

DATE
3/25/2015

DWG. NO.

REV
A

DO NOT SCALE DRAWING

SCALE: 1:50

SHEET 1 OF 1

IXV508