



BAUMALIGHT™

**RC442, RC582, RC586 And RC780
Hydraulic Auger Drive**

OPERATOR'S MANUAL

Issue Date: March 2022

TABLE OF CONTENTS

1 INTRODUCTION	1
1.1 Overview.....	1
1.2 Intended Use and Foreseeable Misuse	1
2 SAFETY	2
2.1 Safety Alert Symbol and Safety Words	2
2.2 Operational Hazards.....	2
Prepare For Emergencies	3
Replace Safety Signs	3
Do Not Allow Riders	3
Lower Operating Speed	3
Avoid Rollover	4
Avoid Powerlines & Underground Utilities	4
Detach Auger Drive Safely.....	4
Hazards From Modifying Equipment	5
2.3 Maintenance Hazards	6
3 SAFETY SIGNS	8
3.1 Safety Signs - RC442.....	8
3.2 Safety Signs - RC582, RC586 And RC780	10
4 INITIAL SETUP	12
5 OPERATION	13
5.1 Preparation for Use	13
5.2 Pre-Operation Check List	13
5.3 Components.....	14
5.4 Attach To Power Unit.....	15
5.5 Detach Auger Drive	16
5.6 Transporting.....	17
5.7 First Time User Tips	17
5.8 Field Operation	18
6 SERVICE AND MAINTENANCE	19
6.1 Maintenance	19
6.2 Inspection.....	19
6.3 Check Gearbox Oil Level	20
6.4 Change Gearbox Oil	21
7 TROUBLESHOOTING	22
8 STORAGE	23
8.1 Storing Auger Drive.....	23
8.2 Removing From Storage	23
BAUMALIGHT ATTACHMENT WARRANTY	24

1 INTRODUCTION

1.1 Overview

Congratulations on your choice of a Baumalight Hydraulic Auger Drive to complement your drilling operation. This equipment has been designed and manufactured to meet the needs of a discriminating buyer for efficient hole drilling.

The drive is hydraulically powered by the hydraulic system on your power unit. Safe, efficient and trouble free operation of your auger drive requires that you and anyone else who will be operating or maintaining the auger drive, read and understand the Safety, Operation, Maintenance and Troubleshooting information contained within the Operator's Manual.

This manual covers the Baumalight Auger Drive models RC442, RC582, RC586 and RC780. Use the Table of Contents as a guide to locate required information.

Keep this manual handy for frequent reference and to pass on to new operators or owners. Call your Baumalight dealer, distributor or the factory if you need assistance, information or additional copies of the manuals.

When this power unit is worn out and no longer in use, it should be returned to the retailer or other party for recycling.

OPERATOR ORIENTATION - The directions left, right, front and rear, as mentioned throughout this manual, are as seen from the operators seat and facing in the direction of travel.

1.2 Intended Use and Foreseeable Misuse

The auger drive is designed to be used by experienced operators, trained in the safe operation of the power unit and trained in the hazards related to using the auger drive and the safe use of the auger drive for the intended purpose. Operators will require personal protective equipment to reduce the risk from some hazards that cannot be completely eliminated or controlled by the design of the tool.

Care is required to ensure that the auger drive and auger will not come across metallic objects, stones or other materials.

Auger drive tools are not designed for use in hazardous atmospheres where there is a risk of fire or explosion due to flammable gases or vapors. Use in hazardous, explosive atmospheres is prohibited.

Serious injury or death of the operator or bystanders may be caused if the tool is misused. Misuse may also cause damage to the power unit carrying the implement.

2 SAFETY

2.1 Safety Alert Symbol and Safety Words

You must read, understand and follow the instructions given by the skid steer manufacturers, as well as the instructions in this manual.

The safety information in this manual is denoted by the safety alert symbol:



This symbol means ATTENTION! BECOME ALERT! YOUR SAFETY IS INVOLVED!

The level of risk is indicated by the following signal words:


 DANGER
DANGER - Indicates a hazardous situation, which, if not avoided, WILL result in death or serious injury.


 WARNING
WARNING - Indicates a hazardous situation, which, if not avoided, could result in death or serious injury.


 CAUTION
CAUTION - Indicates a hazardous situation, which, if not avoided, could result in minor or moderate injury.

NOTICE
<i>NOTICE</i> - Indicates a situation that could result in damage to the equipment or other property.

2.2 Operational Hazards

 WARNING
Prevent death or serious injury.
Read and understand this manual before operating auger drive.
Always stop engine and remove key before leaving operators seat.
Never allow anyone near the auger drive during operation.
Travel at a safe speed.

 WARNING
Prevent death or serious injury from moving parts.
Moving parts can crush and dismember.
Do not operate without guards and shields in place.
Disconnect and lockout power source before adjusting or servicing.

 WARNING
Use auger drive only for the designed applications.
Any other use may result in personal injury, damage to equipment and may void the warranty.



WARNING

Protect from flying debris.

Wear proper safety glasses, goggles, or a face shield to protect from flying debris.

Carefully read all safety messages in this manual and on equipment safety signs. Keep safety signs in good condition and replace missing or damaged safety signs.

New equipment components and repair parts must include the current safety decal.

Learn how to properly operate equipment. NEVER operate or work around this equipment without proper instruction, while fatigued or under the influence of alcohol, prescription or non-prescription medication or if feeling ill.

Keep your equipment in proper working condition. Know the regulations and laws that apply to you and your industry. This manual is not to replace any regulations or laws. Additional information may be found at: www.asae.org or www.osha.gov. If you do not understand any part of this manual, contact Baumalight at 866-820-7603.

Prepare For Emergencies

- Be prepared in case of emergencies.
- Keep a fire extinguisher and first aid kit close to the machine.
- Keep emergency phone numbers close to your phone.
- Know your address so emergency services can locate you if an emergency arises.

Replace Safety Signs

- Replace missing or damaged safety signs.
- Safety signs are identified in Section 3 of this manual.
- Replacement safety signs are available from your Baumalight dealer.

Do Not Allow Riders

- NEVER lift or carry anyone on cutter.
- NEVER use cutter as a work platform.
- NEVER allow passengers on cutter.

Lower Operating Speed

Keep cutter low and move at slow speeds on rough or uneven terrain.

Lower operating speed while operating in heavy conditions.

Avoid Rollover

The equipment may rollover, resulting in death or serious injury. To help prevent rollover:

- Travel at a slow speed.
- Avoid sharp turns & sudden movement on slopes.
- Carry auger drive close to the ground.
- Avoid holes, ditches and other obstructions which may cause equipment to rollover.
- Balance load so weight is evenly distributed and load is stable.
- Use caution when operating on slopes and do not operate on excessively steep slopes.
- Do not exceed load capacity of equipment.

Avoid Powerlines & Underground Utilities



DANGER

Prevent electrocution.

Death or serious injury can result if equipment comes near or contacts power lines.

Electrocution can occur without direct contact.

- Check clearance before raising equipment.
- Have local utilities locate and mark underground wires, cables, pipelines and other hazards before operation.

DO NOT leave the operator's seat if any part of the equipment contacts electric lines or cables.

Detach Auger Drive Safely

Detach auger drive on a firm and level surface. Be sure people, livestock and pets are clear of machinery.

Raised Attachment



WARNING

Crushing hazard.

Raised, unsupported auger drive can fall, resulting in death or serious injury.

Never enter the area under a raised auger drive.

A raised auger drive can lower unexpectedly, resulting in death or serious injury.

NEVER enter area under a raised auger drive.

Lower auger drive to ground, engage parking brake, shut off engine and remove key before servicing.

Hazards From Modifying Equipment

Do not make any alterations to your auger drive. Altering may cause your equipment to be unsafe and may void the manufacturers' warranty.

WARNING

Pressurized fluids can penetrate the skin.

Hydraulic hoses can fail from age, damage and exposure.

Use body and face protection while searching for leaks. A tiny, almost invisible leak can penetrate the skin, thereby requiring immediate medical attention.

Use wood or cardboard to detect hydraulic leaks, never use your hands.

Escaping fluid under pressure can penetrate the skin causing serious injury.

Prevent the hazard by relieving pressure before connecting or disconnecting hydraulic lines. Verify all connections are tight before applying pressure. Search for leaks with a piece of cardboard or wood. Protect hands and body from high pressure fluids. If an accident occurs, see a doctor immediately. Any fluid injected into the skin must be surgically removed within a few hours or serious infection may result.

Avoid Loud Noise

WARNING

Prolonged exposure to loud noise can cause impairment or loss of hearing.

Wear a suitable hearing protective device such as earmuffs or earplugs to protect against objectionable or uncomfortable loud noises.

Stay Clear Of Moving Parts

WARNING

Moving parts can cause serious injury or death.

Keep shields and guards in place at all times. DO NOT operate without shields and guards.

DO NOT wear loose fitting clothing.

2.3 Maintenance Hazards

Before servicing, park machine on a firm and level surface, set parking brake and place a “Do Not Operate” tag on control panel. Read and understand this manual. If you do not understand any part of the manual, contact Baumalight at 866-820-7603.

Always wear face and/or eye protection, safety shoes, and other protective equipment appropriate for the job.

Do not make unauthorized modifications. Contact Baumalight at 866-820-7603. Before you weld, cut/drill holes, or make any other modifications.

Always use Baumalight replacement parts.

WARNING

Moving parts can crush and cut.

Keep clear of moving components.

Follow lockout procedure before servicing.

WARNING

Crushing hazard.

Before performing inspections, service or maintenance:

- **Park machine on firm, level surface.**
- **Engage parking brake.**
- **Turn engine off and remove key.**
- **Place “Do Not Operate” tag on control panel.**

WARNING

Entanglement hazard.

Keep clear of moving components.

Wear proper protective equipment appropriate for the job.

WARNING

Burn hazard.

Hot and high pressure hydraulic oil.

Allow oil to cool before servicing.

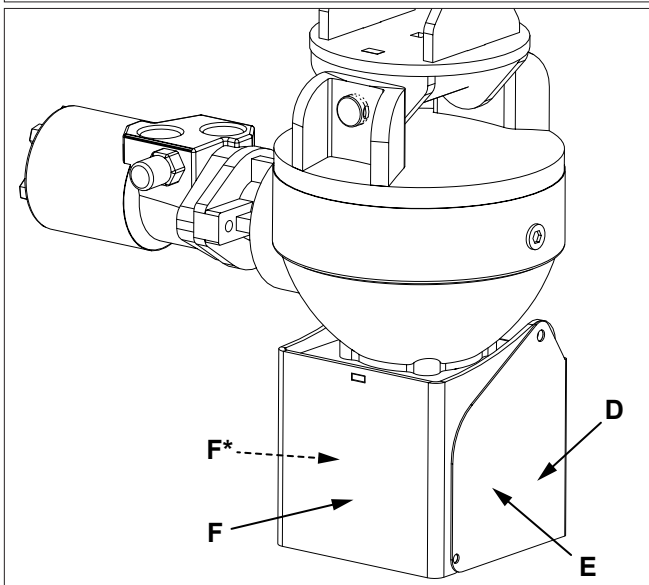
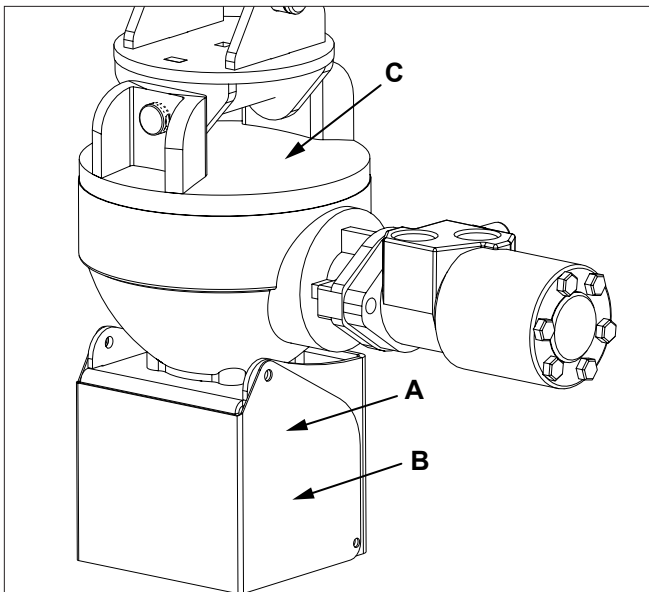
This page intentionally left blank.


3 SAFETY SIGNS

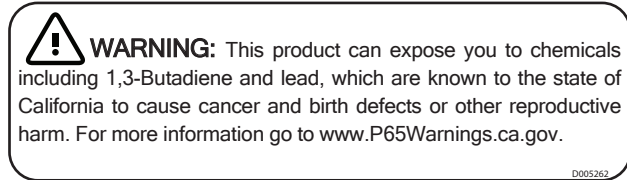
3.1 Safety Signs - RC442


The two and four panel safety decals are pictorial and have a yellow background. The panel with a triangle indicates the potential hazard. The panel without a triangle indicates how to avoid the hazard.

If any of the decals are missing, are damaged, or if you do not understand the decal, please contact your dealer.



A. D005262  WARNING - P65 warning information.



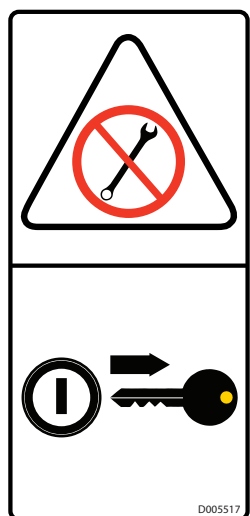
B. D005126  WARNING - Pressurized fluid hazard. Keep away from machine.



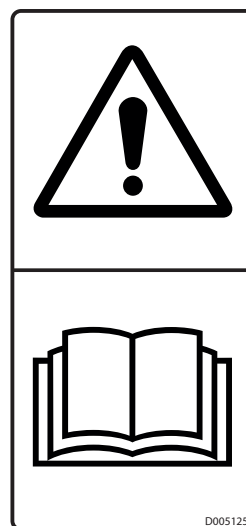
C. D005127 ⚠ WARNING - Pinch hazard. Keep back while machine is operating.



D. D005517 ⚠ WARNING - Remove key before servicing.

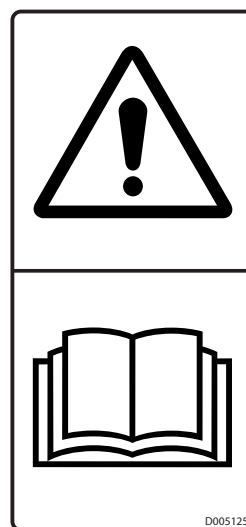


E. D005125 ⚠ WARNING - Read and understand safety signs on the machine and operating instructions in this manual before operating machine.



F. D005128 ⚠ WARNING - Rotating auger hazard. Keep back while machine is operating.

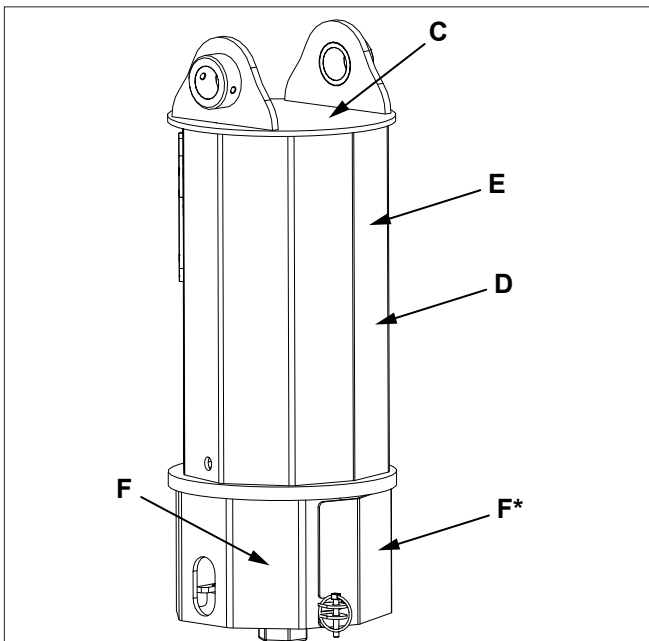
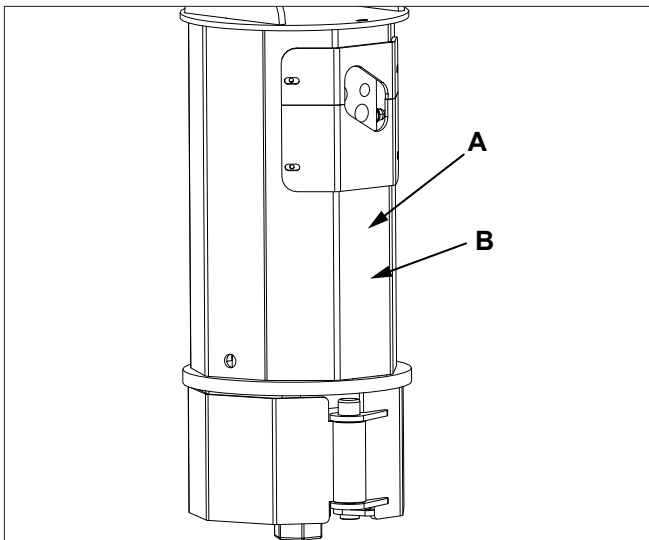
* Indicates item is on inside of cover.




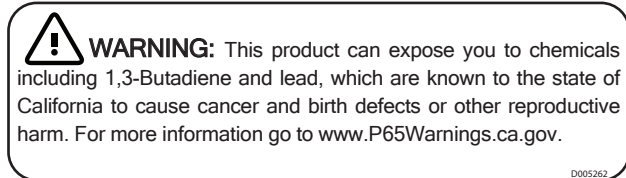
3.2 Safety Signs - RC582, RC586 And RC780


The two and four panel safety decals are pictorial and have a yellow background. The panel with a triangle indicates the potential hazard. The panel without a triangle indicates how to avoid the hazard.

If any of the decals are missing, are damaged, or if you do not understand the decal, please contact your dealer.



- A. D005262  WARNING - P65 warning information.



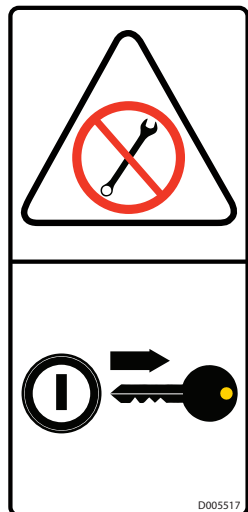
- B. D005126  WARNING - Pressurized fluid hazard. Keep away from machine.



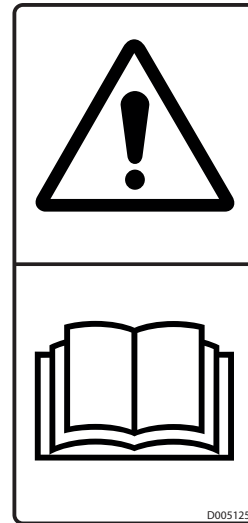
- C. D005127 ⚠️ WARNING - Pinch hazard. Keep back while machine is operating.



- D. D005517 ⚠️ WARNING - Remove key before servicing.



- E. D005125 ⚠️ WARNING - Read and understand safety signs on the machine and operating instructions in this manual before operating machine.



- F. D005128 ⚠️ WARNING - Rotating auger hazard. Keep back while machine is operating.

* Indicates item is on inside of cover.



4 INITIAL SETUP

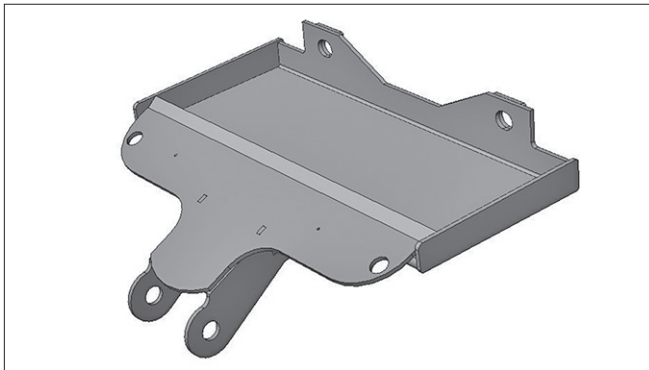
WARNING

Pressurized fluids can penetrate the skin.

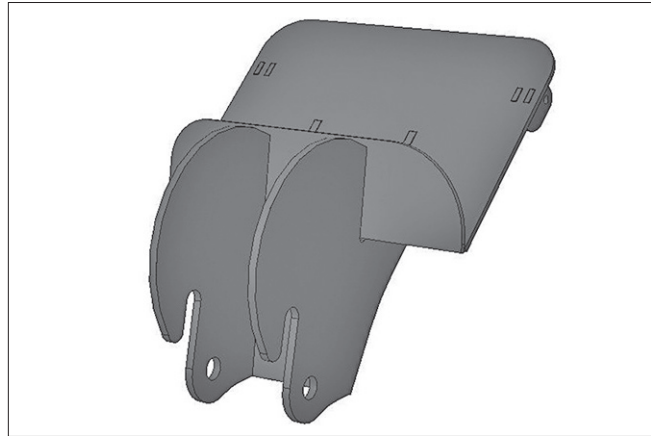
Disconnect and lock out power source before disconnecting and/or connecting hydraulic hoses.

The auger drive requires hydraulic hoses with quick couplers. You must connect your power unit hoses to these hoses.

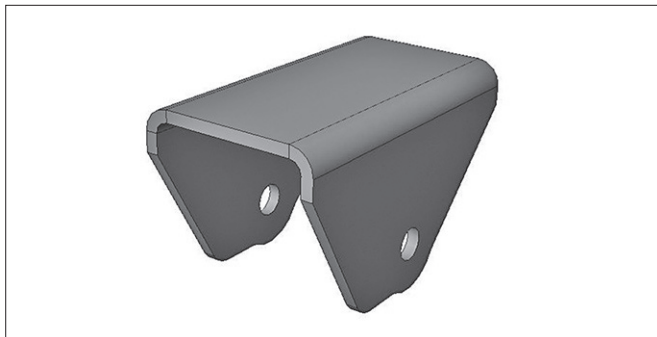
Various mounting plates are available from Baumlight to connect the auger drive to your power unit.



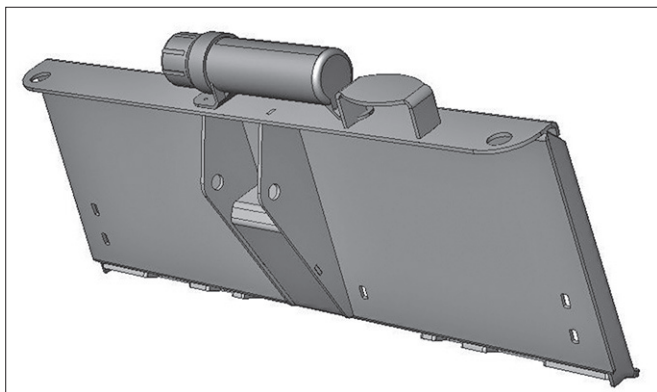
Smaller or Ride-On Skid Steer Mounting Plate



Loader Bucket Mounting Plate



Standard Universal Mounting Plate



Skid Steer Mounting Plate

5 OPERATION

5.1 Preparation for Use

Although the auger drive has been carefully inspected and checked prior to shipment from manufacturer, it is recommended that the unit be thoroughly inspected.

Check all bolts for tightness and remove all shipping tags, bags, skids, and blocking.

Review and understand this manual and operating unit manual.

Remove any masking materials affixed during painting. Inspect the auger drive and any accessory equipment to verify that nameplates and all safety warning, caution signs and decals provided with the equipment are in place and clearly visible.

Visually inspect the unit before each start up. Check for loose or missing parts and any damage that may have occurred during moving or shipping. Review all power unit pre-start instructions, and be sure that all recommended steps and procedures have been followed.

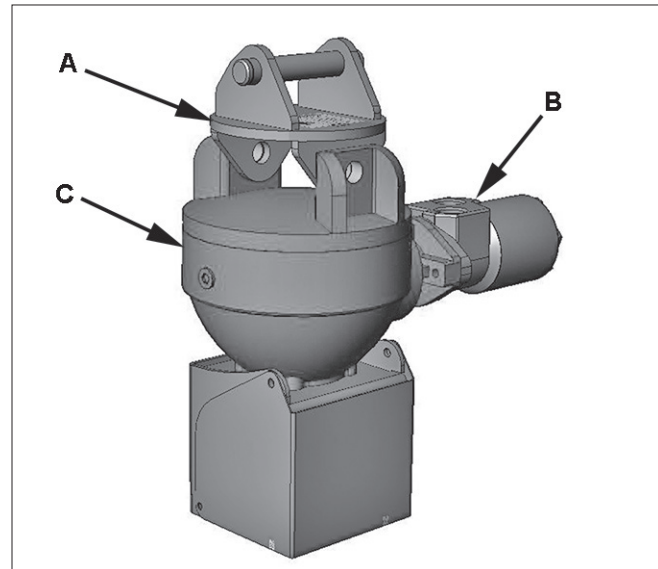
Note: Always keep the weight of the power unit in mind. Never position body in line of impact.

5.2 Pre-Operation Check List

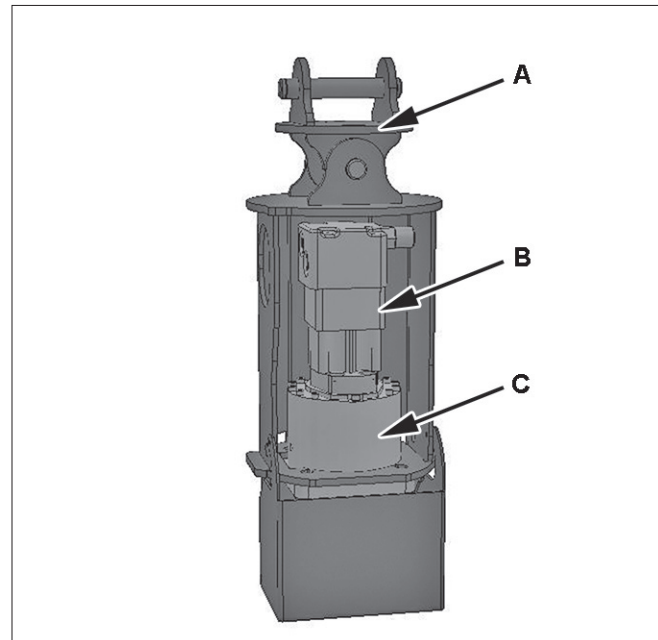
Check these items:	Frequency
Verify that auger drive is properly attached to power unit.	Each operation.
Verify that hydraulic hoses are connected to power unit hydraulic couplers.	Each operation.
Verify all guards, doors and covers are installed and secured.	Each operation.
Verify cutting teeth on the auger are tight.	Each operation.

5.3 Components

- A. Universal Joint
- B. Hydraulic Motor
- C. Planetary Drive or Gearbox



RC442



RC582

5.4 Attach To Power Unit



WARNING

To prevent injury or power unit damage, put transmission in “Park”.

Never position yourself between power unit and auger drive.

Only experienced and properly trained operator’s should operate the auger drive.

The auger drive is shipped from the factory in a basic, universal configuration that allows it to be bolted to any hookup kit. However, your power unit must be equipped with remote hydraulic outlets to operate the auger drive.

1. Read and follow all safety instructions.
2. Attach auger drive to power unit. See power unit Operator’s Manual.
3. Verify auger drive is secured in the correct position.
4. Connect hydraulic hoses. Verify hydraulic hoses are clear of pinch areas and moving parts.
5. Move to a clear open area to test functions.

5.5 Detach Auger Drive



WARNING

Prevent serious injury or death caused by unexpected movement:

- 1. Park power unit on a level surface.**
- 2. Engage parking brake.**
- 3. Disengage hydraulic drive.**
- 4. Shut off engine and remove key.**

1. Park power unit on a level surface.
2. Lay auger drive on ground.
3. Shut off engine and remove key.
4. Disconnect hydraulic hoses.
5. Detach auger drive from power unit. See power unit Operator's Manual.

5.6 Transporting

DANGER

Prevent electrocution.

Death or serious injury can result if equipment comes near or contacts power lines.

Electrocution can occur without direct contact.

Check clearance before raising equipment. DO NOT leave the operator's seat if any part of the equipment contacts electric lines or cables.

1. Verify all reflectors and Slow Moving Vehicle (SMV) sign are visible.
2. Verify hydraulics are disengaged.
3. Carry auger drive low. It may be necessary to remove auger before transporting.
4. Travel at a reasonable and safe speed.

WARNING

Prevent bodily injury from rotating auger.

Disengage hydraulics before transporting.

5.7 First Time User Tips

WARNING

Prevent injury from rotating auger.

Do not rotate auger while auger is out of the ground.

Never approach auger before auger has come to a complete stop.

Never operate auger drive when other people are in the vicinity.

DANGER

Prevent electrocution.

Death or serious injury can result if equipment comes near or contacts power lines.

Electrocution can occur without direct contact.

First, operate all functions in a clear area with power unit at idle speed to get a good feel for the controls before you attempt to dig holes.

Do not dig in an area where there are buried obstacles. Buried concrete, rocks, roots or other objects can produce shock loads or binding and cause failures.

5.8 Field Operation



WARNING

Prevent serious injury or death caused by unexpected movement:

1. Park on a level surface.
2. Engage parking brake.
3. Disengage hydraulic drive.
4. Shut off engine and remove key.



WARNING

Prevent injury from rotating auger.

Do not rotate auger while auger is out of the ground.

Never approach auger before auger has come to a complete stop.

Never operate auger drive when other people are in the vicinity.



DANGER

Prevent electrocution.

Death or serious injury can result if equipment comes near or contacts power lines.

Electrocution can occur without direct contact.

1. Attach auger drive to power unit. See Attach Auger Drive To power unit in this section.
2. Adjust face plate until the auger is pointing straight down.
3. Slowly lower until the auger tip is just touching the ground.
4. Position so the flighting is in a vertical orientation.
5. This auger was designed for one-person operation from the seat of the power unit. It is the responsibility of the operator to see that no one is within 25 feet of the auger when it is started.
6. Engage hydraulics and place hydraulic control in detent position.
7. Set throttle at approximately 3/4 of rated engine speed. Increase throttle setting if more oil flow is required, but do not exceed rated speed.
8. Lower auger drive and let the weight of the power unit arms push auger into the ground.
9. If auger stalls, slightly raise auger and allow auger to regain speed.


To stop, slightly raise auger, disengage hydraulics and raise auger out of hole.

6 SERVICE AND MAINTENANCE

6.1 Maintenance

Maintenance Chart		
General Inspection	Inspect the unit for worn, bent or broken parts.	Daily
Shear Bolt	Check that Pin is tight.	Daily
Gearbox	Change oil.	Every Two Years

6.2 Inspection

 WARNING
<p>Prevent serious injury or death caused by unexpected movement:</p> <ol style="list-style-type: none">1. Park power unit on a level surface.2. Engage parking brake.3. Disengage hydraulic drive.4. Shut off engine and remove key.

Inspect the unit for any buildup of contamination (dirt, stones, etc.), worn bent or broken parts.

6.3 Check Gearbox Oil Level

1. Lower auger drive to ground.
2. Set parking brake, stop engine and remove key.



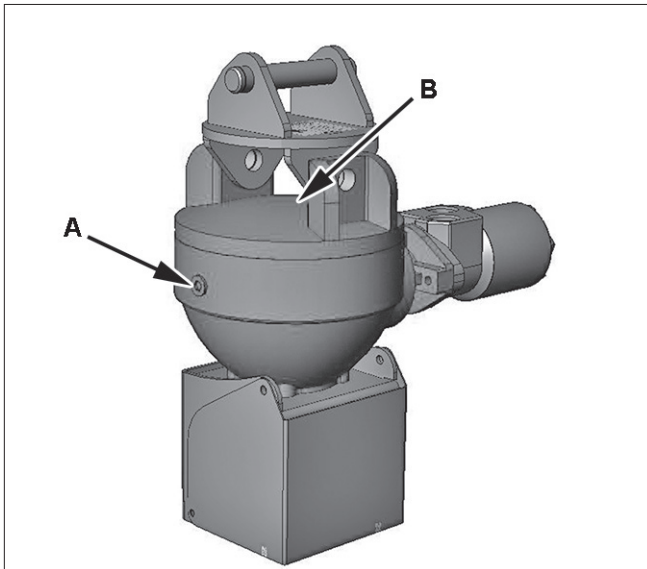
WARNING

Moving parts can crush and cut.

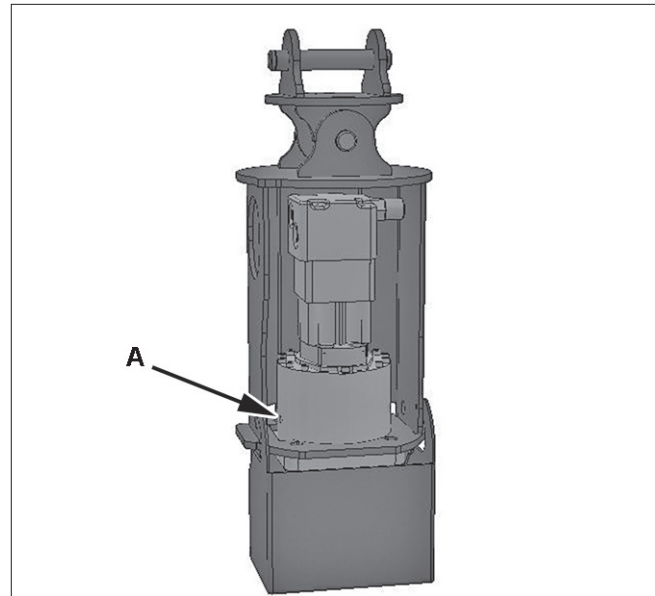
Keep clear of moving components.

Follow lockout procedure before servicing.

3. Remove plug (A). Oil level must be at the bottom of inspection port. For RC442, remove plug (B) and add oil through this port. Add 85W-140 or 140 wt. oil if necessary.
4. Install and tighten plugs (A) and (B).



RC442



RC582

6.4 Change Gearbox Oil

1. Lower auger drive to ground.
2. Set parking brake, stop engine and remove key.

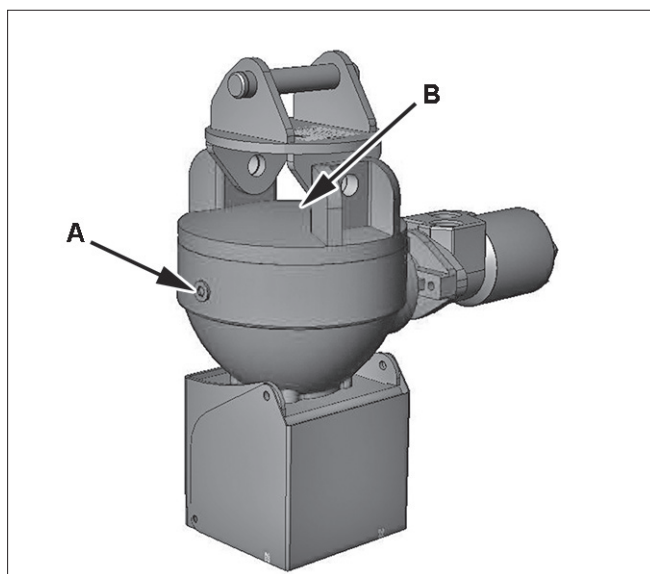
WARNING

Moving parts can crush and cut.

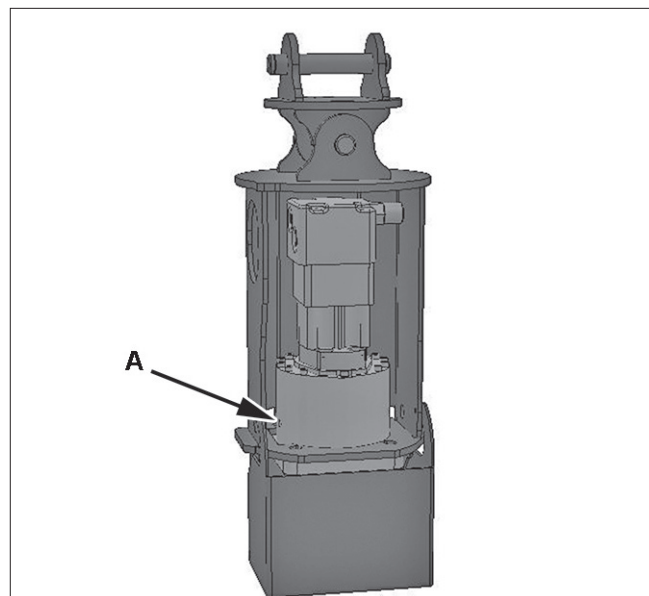
Keep clear of moving components.

Follow lockout procedure before servicing.

3. Remove plug (A) and tilt gearbox so oil runs out. Drain oil into a suitable container. Dispose of oil in an environmentally safe manner. Install drain plug.
4. RC442 Only - Install plug (A) and remove plug (B). Add 1.7 liters of 85W-140 or 140 wt. oil. Install plug (B).
4. All Except RC442 - Add 0.25 liters of 85W-140 or 140 wt. oil. Install plug (A).



RC442



RC582

7 TROUBLESHOOTING

PROBLEM	CHECK	SOLUTION
Auger won't turn.	No power	Place hydraulic system in detent.
	Stones blocking auger.	Remove stones or raise auger to release.
	Broken shear bolt(s).	Replace shear bolt(s). Identify cause of failure and rectify before resuming work.
Auger stalls.	Not enough oil flow.	Increase oil flow. Be sure unit can supply enough oil.
	Running too slow.	Increase engine RPM.
	Digging too fast.	Lower loader at a slower rate.
	Oil filter plugged.	Change oil filter.
	Low oil level.	Check oil level. Add as required.

8 STORAGE

8.1 Storing Auger Drive

1. Store auger drive in a dry place.
2. Clean auger drive thoroughly. Dirt will draw moisture and cause rust.
3. Check for loose or missing hardware.
4. Paint parts as necessary.

8.2 Removing From Storage

1. Review Operator's manual and check adjustments.
2. If parts have been replaced, verify they run properly.

BAUMALIGHT ATTACHMENT WARRANTY

This product is warranted to be free of defects in materials and workmanship under normal use and service, for a period of one year from the date of purchase. This warranty covers parts and labor, but does not cover misuse, negligence or dealer travel time.

Replacement of individual parts vs. assemblies are at the discretion of the manufacturer.

Baumalight products when purchased new are automatically registered for warranty on the date of purchase.

Warranty claims must include the bill of sale to the original purchaser.

This product must be operated and maintained in accordance with the Operating and Maintenance Instructions supplied with this unit.

Under no circumstances will the manufacturer be liable for any consequential damage or expense of any kind, including loss of profits. The manufacturer is under no circumstances liable for carrier unit damage of any kind. The manufacturer is not liable for the maintenance of the product.

This warranty is extended only to the original purchaser and there never is any warranty on anything sold through auction.

Units are to be returned at the customer's expense to the nearest Authorized Service Center. Damage in transit is not covered by warranty.

The work may be performed by the end user, if they are a qualified mechanic.

The Manufacturer's Liability is limited to repair of the product and/or replacement of parts and is given to the purchaser in lieu of all other remedies including incidental and consequential charges. There are no warranties, expressed or implied other than those specified herein. For the nearest Authorized Service Center call the manufacturer.

Model Number: _____ S/N: _____

Date of Purchase: _____ Owner's Name _____

MTB MFG INC.
CORPORATE HEADQUARTERS
4575 Powell Rd.,
Wallenstein, Ontario Canada
N0B 2S0
Phone - 519.698.9864
Toll Free - 866.820.7603
Fax - 519.698.1087
www.baumalight.com

