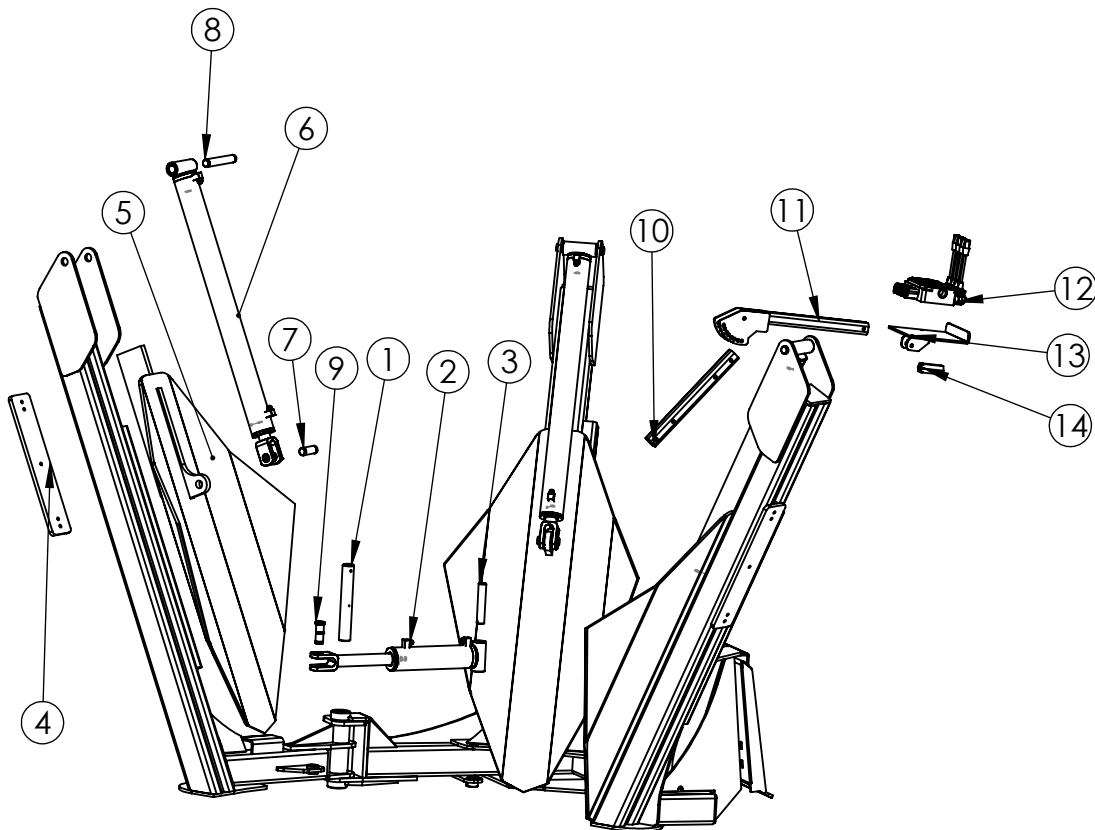


SS330 Spade



ITEM NO.	PART NUMBER	DESCRIPTION	QTY.
1	P2006	Swing Pin 1.5x10	1
2	T1002	Cylinder L=23.5	1
3	P2007	1x5.25 Cross Hole Grease	1
4	T2089	Spade Skid Plate	3
5	T2000	Blade Assembly	3
6	T1001	70" Cylinder	3
7	P2023	Snap Ring Pin (SM)	3
8	P2024	Snap Ring Pin (LG)	3
9	P2022	1" Swing Pin Greaseable	1
10	T2002	1in Bottom Tube	1
11	T2003	Control Arm	1
12	H2092	4 Lever Valve	1
13	T2004	Valve Plate 4 Lever	1
14	H2109	Check Valve .5" W/Orifice	1

PROPRIETARY AND CONFIDENTIAL
 THE INFORMATION CONTAINED IN THIS DRAWING IS THE SOLE PROPERTY OF BAUMALIGHT. ANY REPRODUCTION IN PART OR AS A WHOLE WITHOUT THE WRITTEN PERMISSION OF BAUMALIGHT IS PROHIBITED.

Please Specify Serial # When Ordering Parts



MTB MFG INC.
 4575 Powel Rd. Tel:(519)698-9864
 RR# 1, Wallenstein Fax:(519)698-1087
 ON, N0B 2S0 Email:menno@mtbmfg.ca
 Web:www.mtbfmg.ca