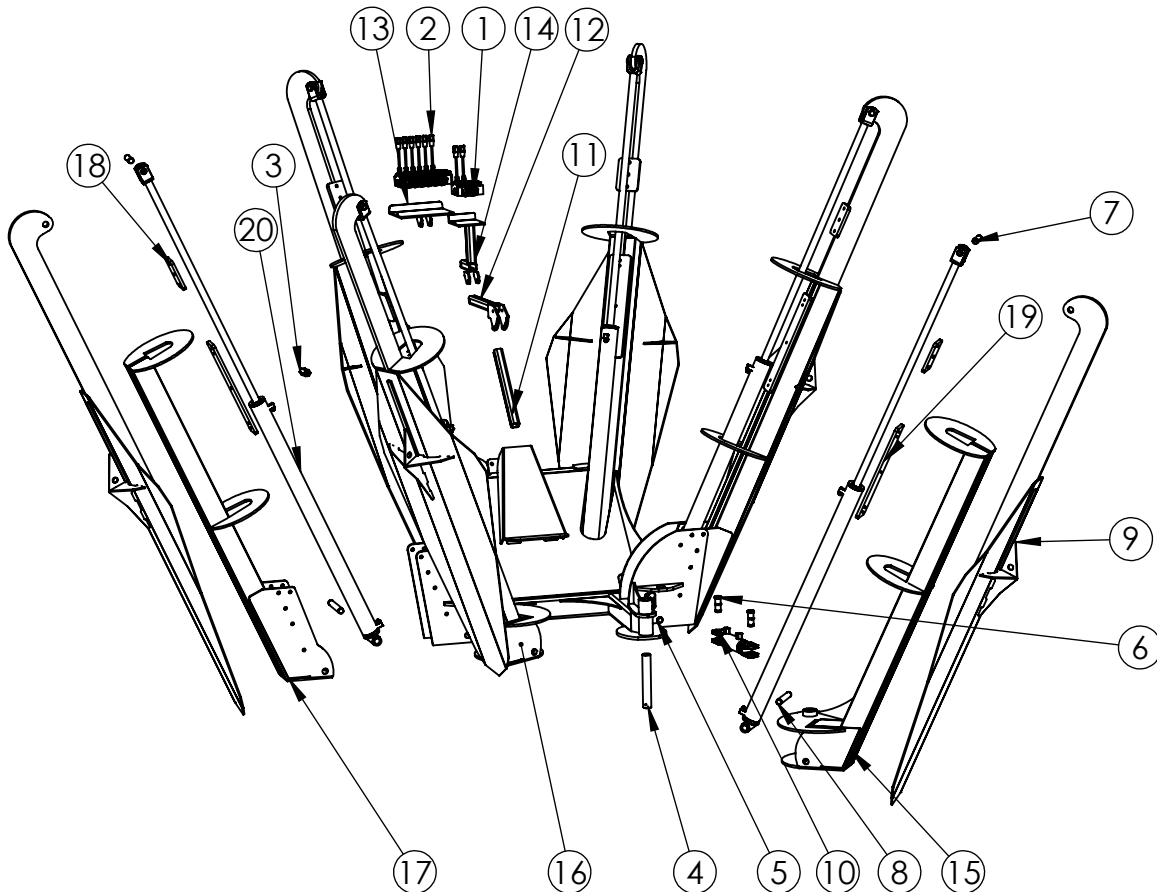


ST650 Spade



ITEM NO.	PART NUMBER	DESCRIPTION	QTY.
1	H2078	2 Lever Valve	1
2	H2094	6 Lever Valve	1
3	H2109	Check Valve .5" W/Orifice	1
4	P2006	Swing Pin 1.5x10	2
5	P2021	1x6.5 Pin	2
6	P2022	1" Swing Pin Greaseable	4
7	P2023	Snap Ring Pin (SM)	5
8	P2024	Snap Ring Pin (LG)	3
9	S2050	Blade Weldment	6
10	T1000	T1000 CYLINDER	2
11	T2002	1in Bottom Tube	1
12	T2003	Control Arm	1
13	T2013	Valve Mount 6 Lever	1
14	T2095	Double Valve Mount	1
15	T2096	Left Swing Tower Weldment	1
16	T2097	Right Swing Tower Weldment	1
17	T2098	Fold Tower Weldment	2
18	T2099	Small Skid Plate	6
19	T2100	Large Skid Plate	6
20	T2025	T1004 L=84.85	6

PROPRIETARY AND CONFIDENTIAL
 THE INFORMATION CONTAINED IN THIS DRAWING IS THE SOLE PROPERTY OF BAUMALIGHT. ANY REPRODUCTION IN PART OR AS A WHOLE WITHOUT THE WRITTEN PERMISSION OF BAUMALIGHT IS PROHIBITED.

Please Specify Serial # When Ordering Parts



MTB MFG INC.
 4575 Powel Rd. Tel:(519)698-9864
 RR# 1, Wallenstein Fax:(519)698-1087
 ON, N0B 2S0 Email:menno@mtbmfg.ca
 Web:www.mtbfmg.ca