

Chain breakdown on page 3&4

D005062 - Danfoss Motor

PROPRIETARY AND CONFIDENTIAL
 THE INFORMATION CONTAINED IN THIS DRAWING IS THE SOLE PROPERTY OF BAUMALIGHT. ANY REPRODUCTION IN PART OR AS A WHOLE WITHOUT THE WRITTEN PERMISSION OF BAUMALIGHT IS PROHIBITED.



Description

200 series 36" trencher

Weight lbs	Thickness in.	K-Factor	DATE 28-07-2020
DO NOT SCALE DRAWING		SCALE: 1:15	SHEET 1 OF 5

DWG. NO. TN236-D03-R1	REV R1
---------------------------------	------------------

ITEM NO.	PART NUMBER	DESCRIPTION	QTY.
1	D002814	Main weldment	1
2	D002487	Gearbox and sprocket assem	1
3	G2085	Planetary Gearbox	1
4	D002483	Side auger	1
5	P2035	.875 x 4.83 cross pin for trencher sprocket	1
6	D003873	UT1041964	1
7	D002485	Shaft mount Rotor Hub	1
8	TN236-20	Auger shield	1
9	D002460	Complete idler assem with cylinder	1
10	T2010	Idler Bracket Assembly	1
11	D002482	Grease Pin Assembly	1
12	D002484	Cylinder, 2" x 1-1/4"x	1
13	D002481	Idler Assembly W/ Bearings for TN336	1
14	D003208	Crumber scraper bar	1
15	D003217	Dirt Flap Arm	1
16	T2086	Dirt Flap Pivot Plate	4
17	D003870	3" flap	1
18	D005062	Danfoss 350080A8-23AAAAAP	1
19	M3604	4x36 Trencher chain - 50/50 Rock Tooth	1
20	S3604	4x36 Trencher chain - standard Cup	1
21	D005596	O-ring for SAE A motor AS-568 NO.-041	1

PROPRIETARY AND CONFIDENTIAL
 THE INFORMATION CONTAINED IN THIS DRAWING IS THE SOLE PROPERTY OF BAUMALIGHT. ANY REPRODUCTION IN PART OR AS A WHOLE WITHOUT THE WRITTEN PERMISSION OF BAUMALIGHT IS PROHIBITED.



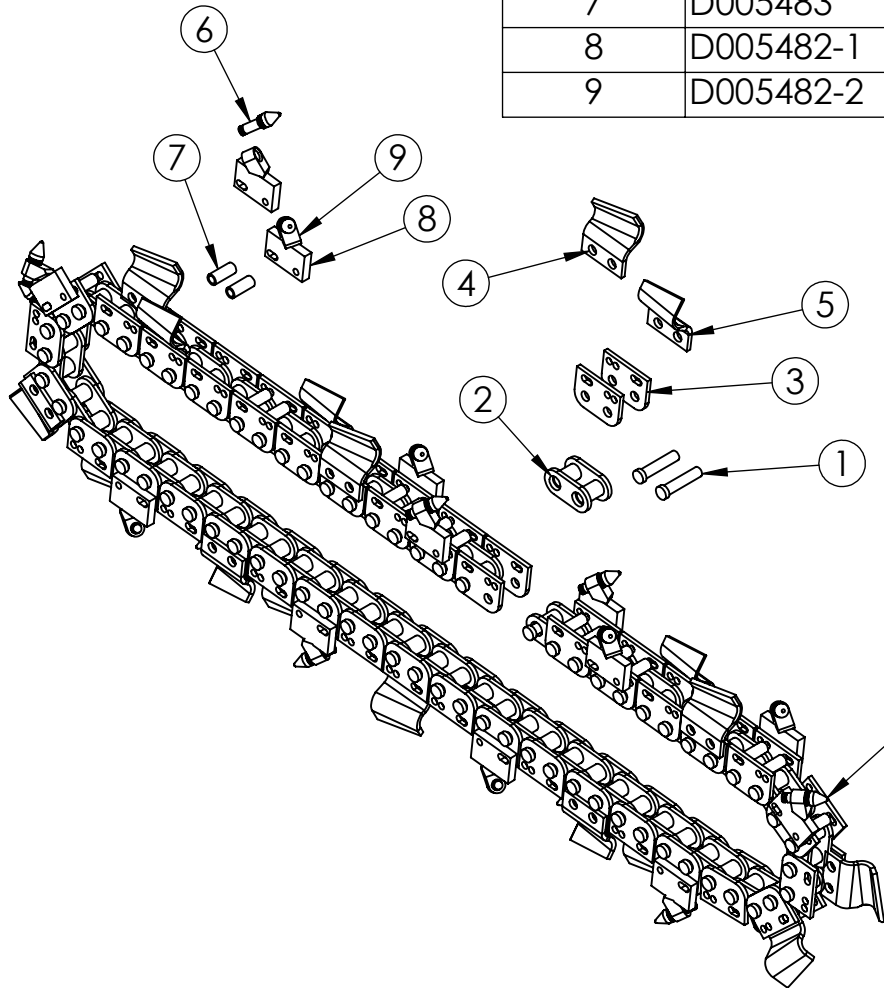
Description

200 series 36" trencher

Weight lbs	Thickness in.	K-Factor	DATE 28-07-2020
DO NOT SCALE DRAWING		SCALE: 1:15	SHEET 2 OF 5

DWG. NO. TN236-D03-R1	REV R1
---------------------------------	------------------

ITEM NO.	PART NUMBER	DESCRIPTION	QTY.
1	roller pin	Link pin	72
2	Chain link		72
3	Link connector		72
4	D005477	Small Trencher Cup Tooth - Left	9
5	D005478	Small Trencher Cup Tooth - Right	9
6	D005481	small Rock tooth for 36-inch trencher chain	18
7	D005483	1.5" spacer	36
8	D005482-1	plate section of small rock tooth holder link	27
9	D005482-2	Tooth collar component	27



M3604 - 50/50 Rock and Cup tooth Chain

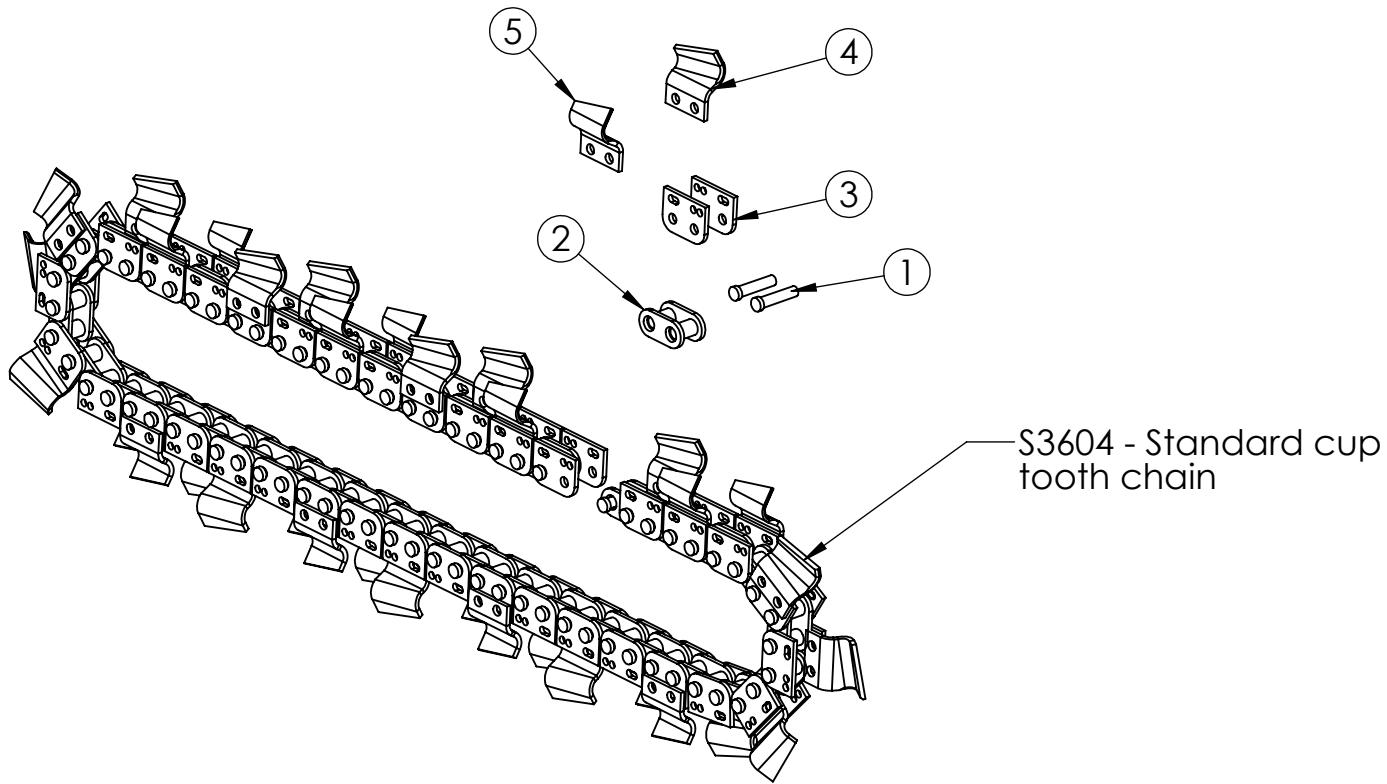
PROPRIETARY AND CONFIDENTIAL
 THE INFORMATION CONTAINED IN THIS DRAWING IS THE SOLE PROPERTY OF BAUMALIGHT. ANY REPRODUCTION IN PART OR AS A WHOLE WITHOUT THE WRITTEN PERMISSION OF BAUMALIGHT IS PROHIBITED.



Description 4x36 Trencher chain - 50/50 Rock Tooth

Weight lbs	Thickness in.	K-Factor	DATE 28-07-2020	DWG. NO. TN236-D03-R1	REV R1
DO NOT SCALE DRAWING		SCALE: 1:15	SHEET 3 OF 5		

ITEM NO.	PART NUMBER	DESCRIPTION	QTY.
1	roller pin	Link pin	72
2	Chain link		72
3	Link connector		72
4	D005477	Small Trencher Cup Tooth - Left	18
5	D005478	Small Trencher Cup Tooth - Right	18



PROPRIETARY AND CONFIDENTIAL
 THE INFORMATION CONTAINED IN THIS DRAWING IS THE SOLE PROPERTY OF BAUMALIGHT. ANY REPRODUCTION IN PART OR AS A WHOLE WITHOUT THE WRITTEN PERMISSION OF BAUMALIGHT IS PROHIBITED.

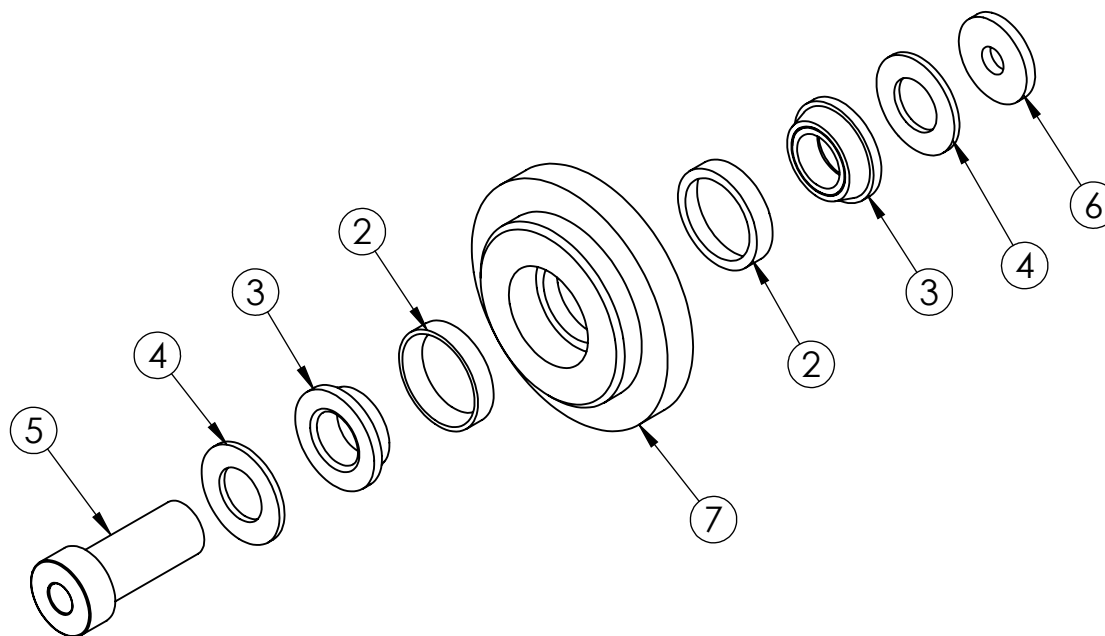


Description 4x36 Trencher chain - standard Cup

Weight lbs	Thickness in.	K-Factor	DATE 28-07-2020
DO NOT SCALE DRAWING		SCALE: 1:15	SHEET 4 OF 5

DWG. NO. TN236-D03-R1	REV R1
---------------------------------	------------------

ITEM NO.	PART NUMBER	DESCRIPTION	QTY.
1	D002481	Idler Assembly W/ Bearings for TN336	1
2	B2016	Bearing insert	2
3	B2015	Bearing 1.25"	2
4	P2037	Dirt washer for trencher idler bearings	2
5	P2034	1.25" x 2.875" Trencher Idler Pin greasable	1
6	T2080 250 TN548-29	Holder washer	1
7	D002480	TN230 & TN330 idler	1



PROPRIETARY AND CONFIDENTIAL
 THE INFORMATION CONTAINED IN THIS DRAWING IS THE SOLE PROPERTY OF BAUMALIGHT. ANY REPRODUCTION IN PART OR AS A WHOLE WITHOUT THE WRITTEN PERMISSION OF BAUMALIGHT IS PROHIBITED.



Description

200 series 36" trencher

Weight lbs	Thickness in.	K-Factor	DATE 28-07-2020
DO NOT SCALE DRAWING	SCALE: 1:4	SHEET 5 OF 5	

DWG. NO. TN236-D03-R1	REV R1
---------------------------------	------------------