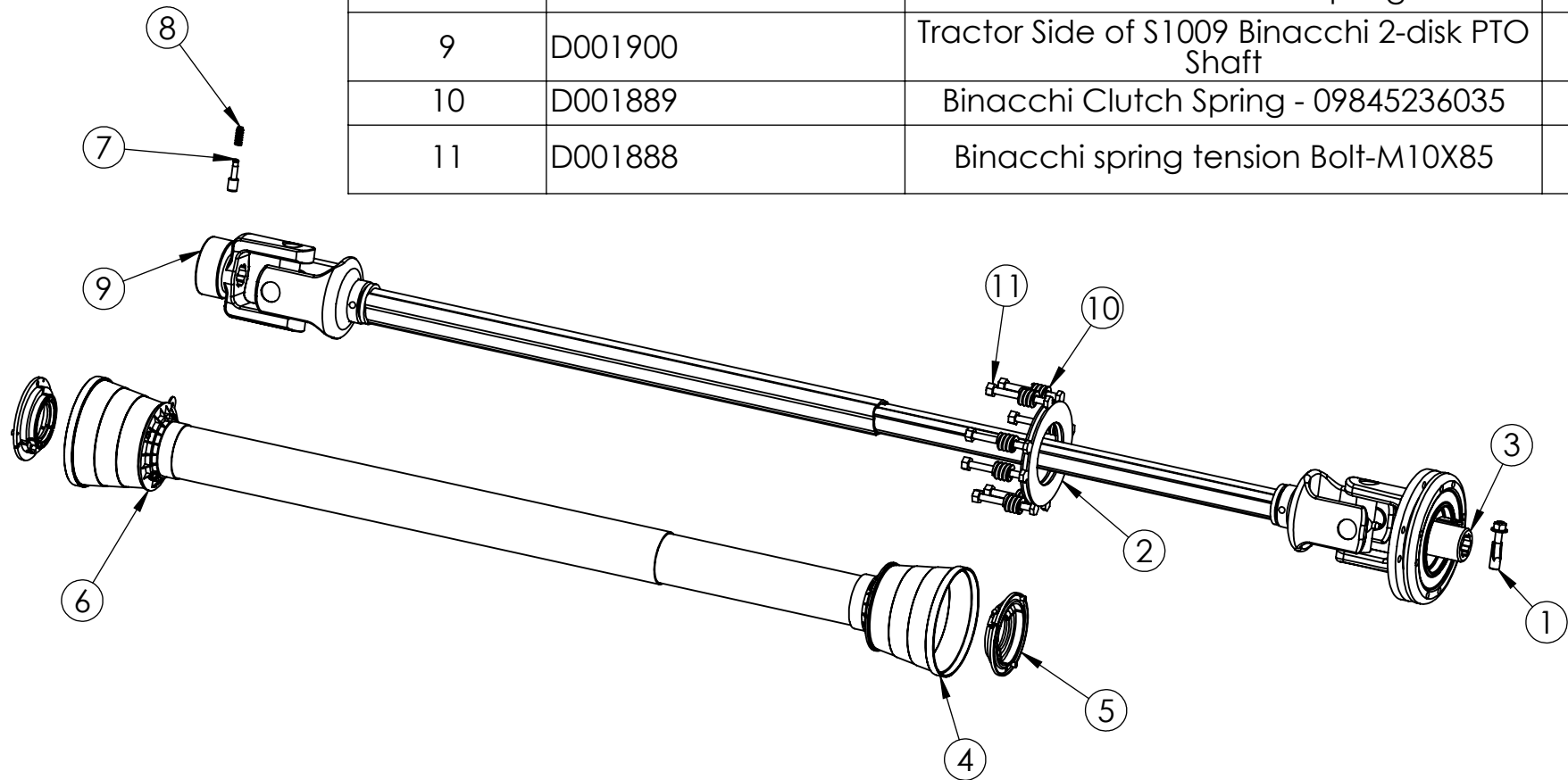


ITEM NO.	PART NUMBER	DESCRIPTION	QTY.
1	D001890	Binacchi Lock Bolt - 0408000029	1
2	D001348	Replacement slip disk for Binnacchi PTO shaft (6-1/4") 09833160 - 540RPM	2
3	D001901	Slip Clutch Side- 2 Disk Binacchi Shaft	1
4	D001899	S1009 PTO Shield	1
5	D001893	Binacchi Plastic Baring	2
6	D001898	Sheild Pin Shaft Side -2 Disk Binacchi Shaft	1
7	D001892	Binacchi Lock Pin	1
8	D001891	Binacchi Lock Pin Spring	1
9	D001900	Tractor Side of S1009 Binacchi 2-disk PTO Shaft	1
10	D001889	Binacchi Clutch Spring - 09845236035	8
11	D001888	Binacchi spring tension Bolt-M10X85	8



PROPRIETARY AND CONFIDENTIAL
 THE INFORMATION CONTAINED IN THIS
 DRAWING IS THE SOLE PROPERTY OF
BAUMALIGHT. ANY REPRODUCTION IN
 PART OR AS A WHOLE WITHOUT THE
 WRITTEN PERMISSION OF **BAUMALIGHT**
 IS PROHIBITED.



Description

Binacchi 60 hp 2 Disk PTO Shaft

Weight
lbs

Thickness
in.

K-Factor

DATE

09-10-2012

DWG. NO.

S1009-D03-R1

REV
R1

DO NOT SCALE DRAWING

SCALE: 1:20

SHEET 1 OF 1

5

4

3

2

1